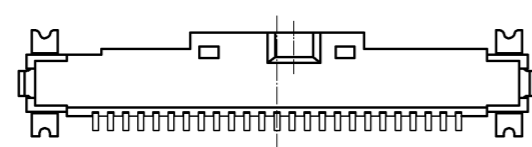
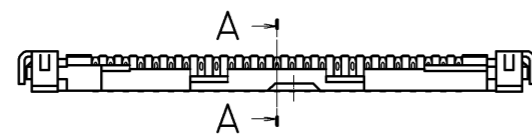
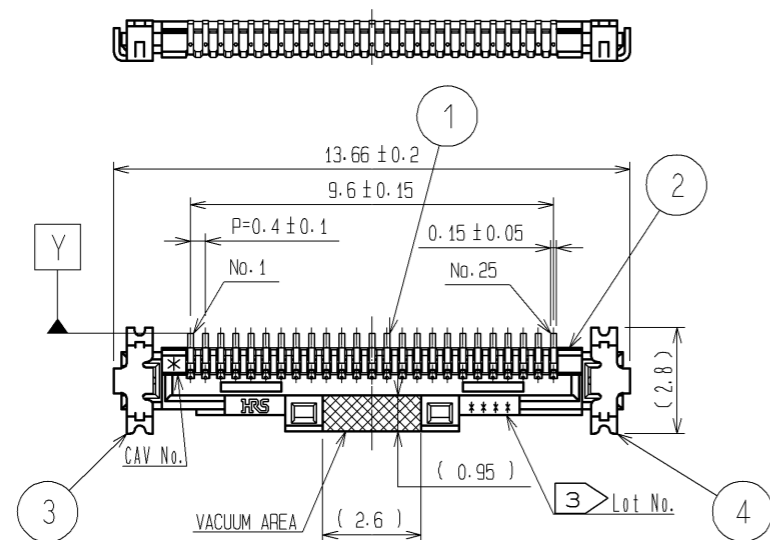
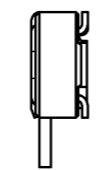
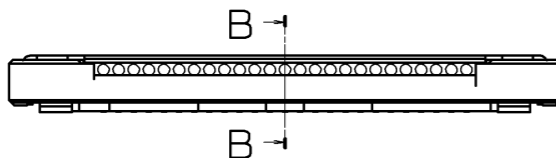
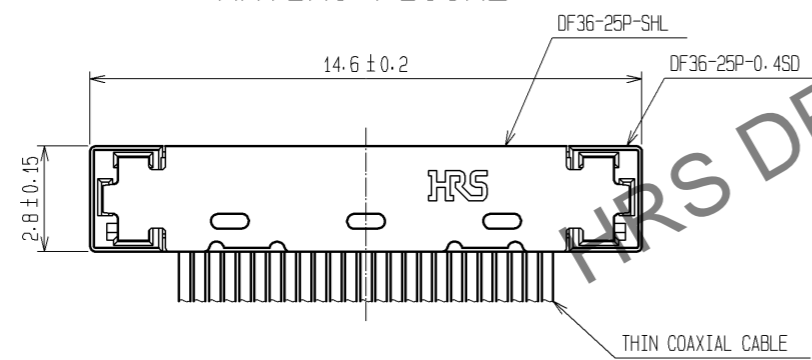


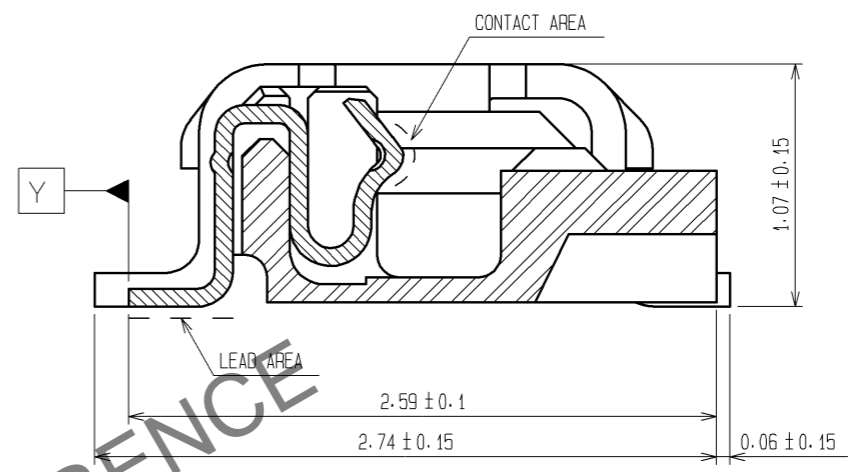
Jan.1.2025 Copyright 2025 HIROSE ELECTRIC CO., LTD. All Rights Reserved.
 In case of consideration for using Automotive equipment / device which demand high reliability, kindly contact our sales window correspondents.



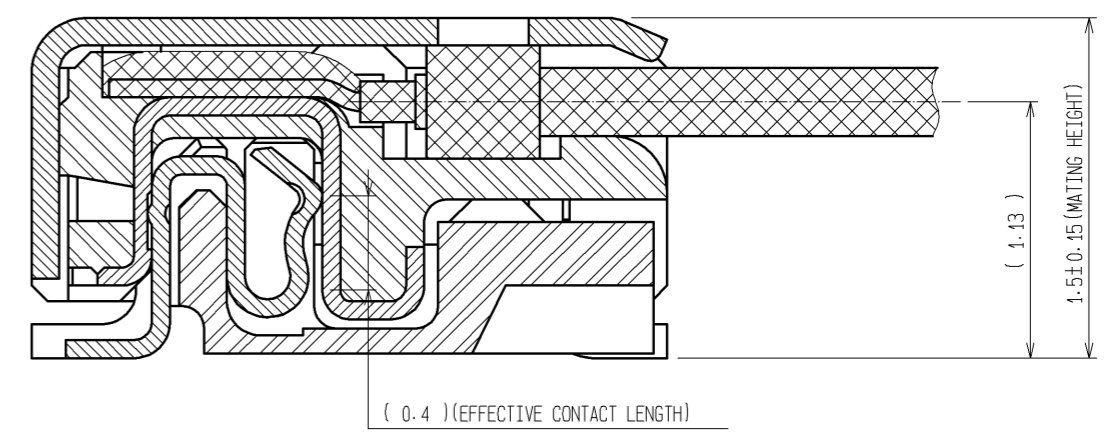
MATING FIGURE



A-A (30:1)



B-B (30:1)



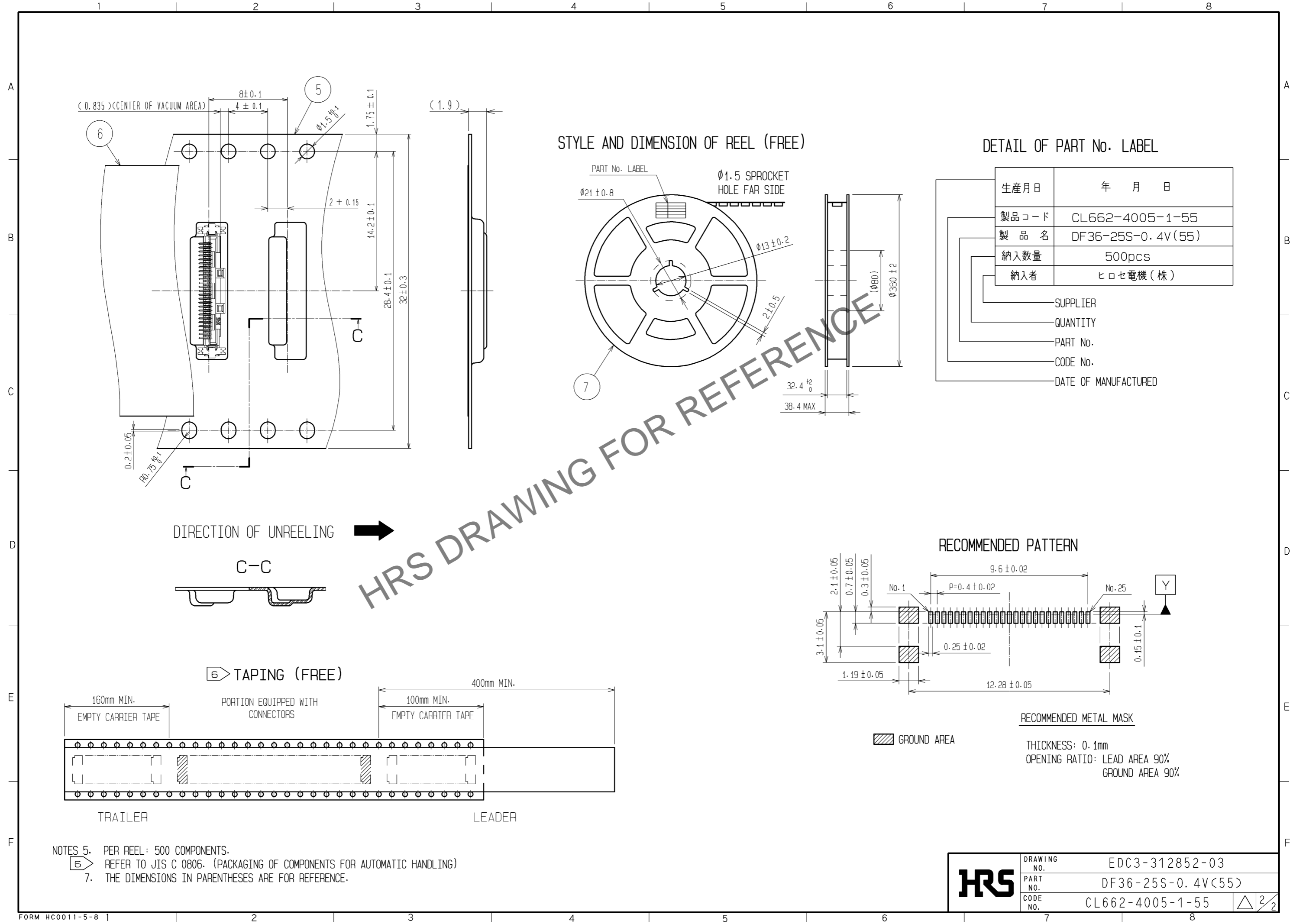
NOTES

- LEAD CO-PLANARITY SHALL BE 0.1mm MAX.
- STIFFENER IS REQUIRED FOR MOUNTING ONTO FPC IN ORDER TO AVOID STRESS BY FPC SLACKING TO MOUNTED CONNECTOR.
- LOT No. INFORMATION IS SHOWN IN THE TABLE.
EXAMPLE: 96FD
-YEAR: 2009 MONTH: July DAY: 15 LINE No.: 4
- UNMATING SHALL BE DONE WITH THE SPECIFIC EXTRACTION TOOL.

YEAR		MONTH		DAY						LINE No.	
YEAR	CODE	MONTH	CODE	DAY	CODE	DAY	CODE	DAY	CODE	LINE No.	CODE
10	0	Jan	A	1	1	11	B	21	M	1	A
11	1	Feb	B	2	2	12	C	22	N	2	B
12	2	Mar	C	3	3	13	D	23	P	3	C
13	3	Apr	D	4	4	14	E	24	Q	4	D
14	4	May	E	5	5	15	F	25	R	5	E
15	5	Jun	F	6	6	16	G	26	S	6	F
16	6	Jul	G	7	7	17	H	27	T	7	G
17	7	Aug	H	8	8	18	J	28	U	8	H
18	8	Sep	I	9	9	19	K	29	V	9	I
09	9	Oct	J	10	A	20	L	30	W	10	J
		Nov	K					31	X		
		Dec	L								

3	PHOSPHOR BRONZE	WHOLE AREA : Gold PLATING 0.1μm min UNDER PLATING : Nickel PLATING 2μm min	7	PS	BLACK			
2	LCP	UL94V-0 . BLACK	5	PS	CLEAR			
1	PHOSPHOR BRONZE	CONTACT AREA : Gold PLATING 0.3μm min LEAD AREA : Gold PLATING 0.1μm min UNDER PLATING : Nickel PLATING 2μm min	4	PHOSPHOR BRONZE	WHOLE AREA : Gold PLATING 0.1μm min UNDER PLATING : Nickel PLATING 2μm min			
NO.	MATERIAL	FINISH . REMARKS	NO.	MATERIAL	FINISH . REMARKS			
UNITS	mm	SCALE	5 : 1	COUNT	DESCRIPTION OF REVISIONS	DESIGNED	CHECKED	DATE
HRS HIROSE ELECTRIC CO., LTD.		APPROVED : KH. IKEDA	14.11.06	DRAWING NO. EDC3-312852-03				
		CHECED : MH. TSUCHIDA	14.11.06	PART NO. DF36-25S-0.4V(55)				
		DESIGNED : IO. DENPOUYA	14.11.06	CODE NO. CL662-4005-1-55				
		DRAWN : YJ. HAGA	14.10.23					

Jan.1.2025 Copyright 2025 HIROSE ELECTRIC CO., LTD. All Rights Reserved.
 In case of consideration for using Automotive equipment / device which demand high reliability, kindly contact our sales window correspondents.



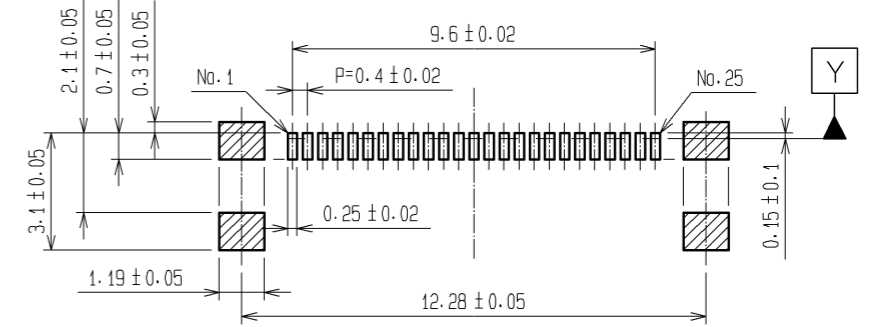
STYLE AND DIMENSION OF REEL (FREE)

DETAIL OF PART No. LABEL

生産月日	年 月 日
製品コード	CL662-4005-1-55
製品名	DF36-25S-0.4V(55)
納入数量	500pcs
納入者	ヒロセ電機(株)

_____ SUPPLIER
 _____ QUANTITY
 _____ PART No.
 _____ CODE No.
 _____ DATE OF MANUFACTURED

RECOMMENDED PATTERN

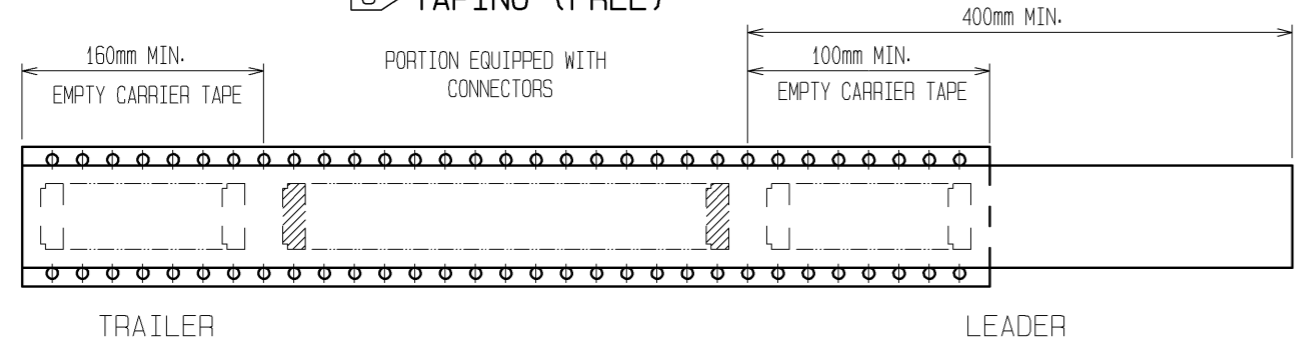


RECOMMENDED METAL MASK

▨ GROUND AREA

THICKNESS: 0.1mm
 OPENING RATIO: LEAD AREA 90%
 GROUND AREA 90%

⑥ TAPING (FREE)



- NOTES
- PER REEL : 500 COMPONENTS.
 - REFER TO JIS C 0806. (PACKAGING OF COMPONENTS FOR AUTOMATIC HANDLING)
 - THE DIMENSIONS IN PARENTHESES ARE FOR REFERENCE.

HRS	DRAWING NO.	EDC3-312852-03
	PART NO.	DF36-25S-0.4V(55)
	CODE NO.	CL662-4005-1-55
		△ 2/2