

1.Coverage

This document specifies mating/unmating operation for the DF36A-*S-0.4V and DF36A-*P-0.4SD(ASSY). (*: Pin counts)

2.Connector Product Name

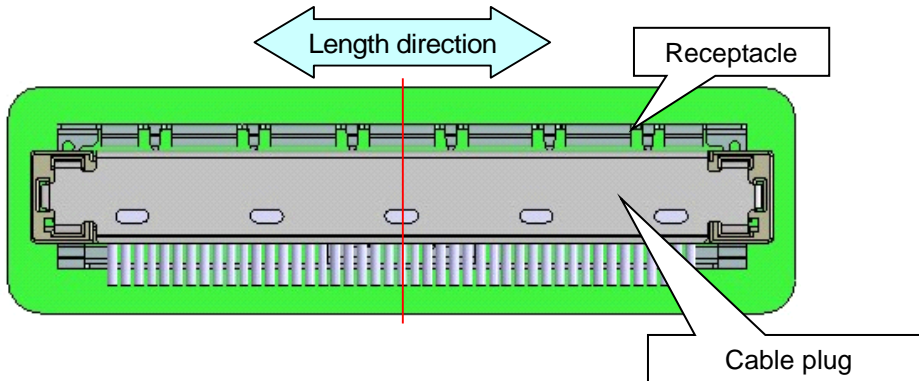
* : Pin counts

Part Number	Description	Composition
DF36A-*S-0.4V	Receptacle (Enhanced shielding type)	DF36A-*S-0.4V (Connector body)
DF36-*P-0.4SD(ASSY)	Plug (Enhanced shielding type)	DF36-*P-0.4SD + DF36A-*P-SHL (Plug body) (Metal shell)

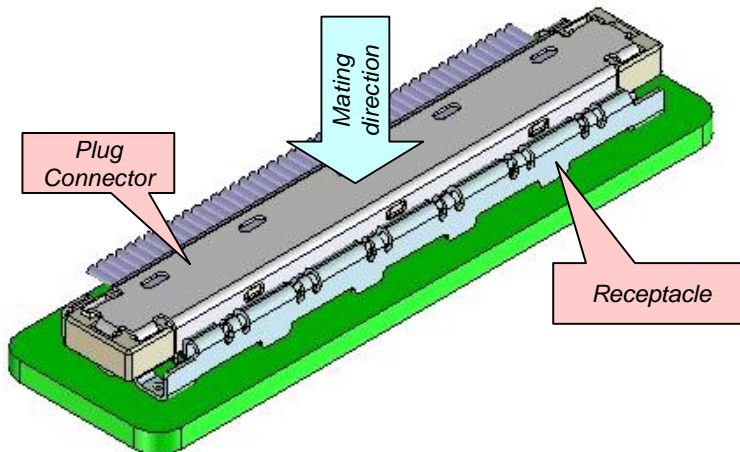
3.Operating Process

3-1.Insertion

3-1-1: Please adjust the position by targeting edges or housing, so that the centers in the length direction of both connectors (plug and receptacle) can match.

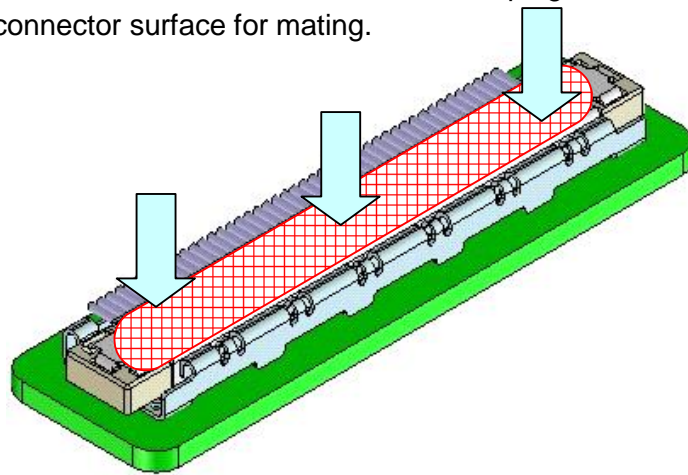


3-1-2: Please check the looseness in the length and cross direction while pushing the plug connector in mating direction softly. When the connector is set in the center position properly, there will be no looseness in the length or cross direction.

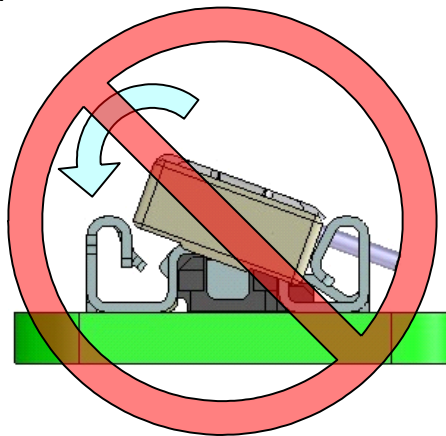


COUNT	DESCRIPTION OF REVISIONS	DESIGNED	CHECKED	DATE		
△ 1	DIS-D-00009849	RO.YOKOYAMA	MT.KANEKO	20211116		
名称 TITLE		HIROSE ELECTRIC CO., LTD.				
△ DF36A Series Handling Guideline						
APPROVED					TS.SAKATA	20111101
CHECKED					HS.OZAWA	20111101
DESIGNED		TP.MATSUMOTO	20111101			
WRITTEN		TP.MATSUMOTO	20111101			
技術指定書 TECHICAL SPECIFICATION		ETAD-H0583-00		△ 1 / 4		

3-1-3: Please press down the whole surface of the plug connector straight with the equable pressure on all connector surface for mating.

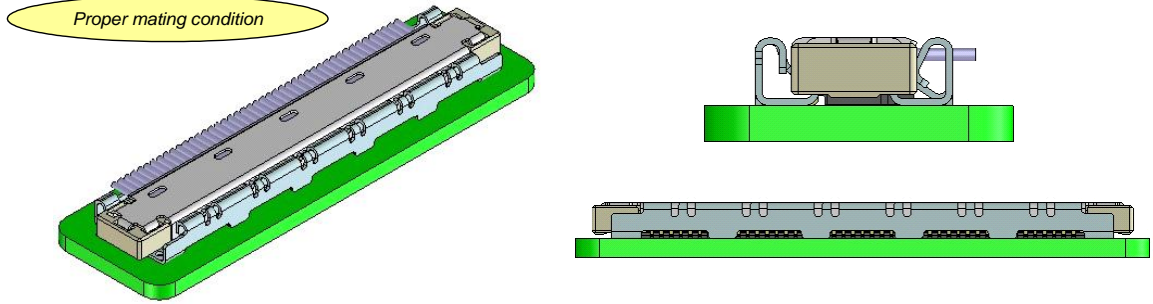


3-1-4: Please make sure not to mate plug connector to the direction shown in below figure. In case of setting aslant, it applies excess load on receptacle contacts, and may damage contact springs during mating.

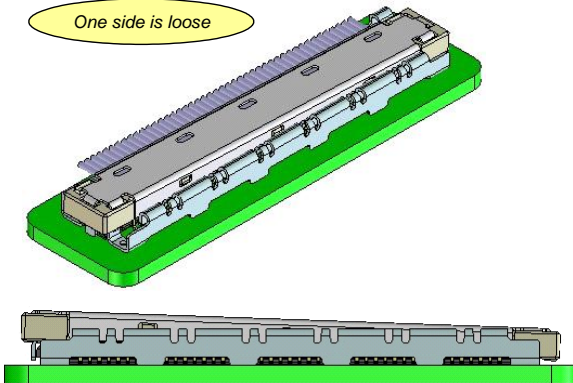


3-1-4: Please make sure that plug connector is mated properly. If one side is loose, or if it is mated aslant, please let unmate it and try it again.

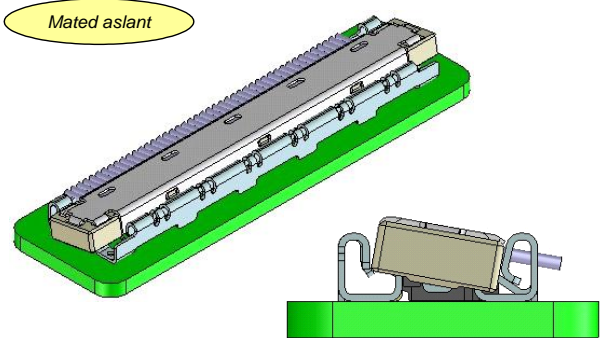
Proper mating condition



One side is loose



Mated aslant

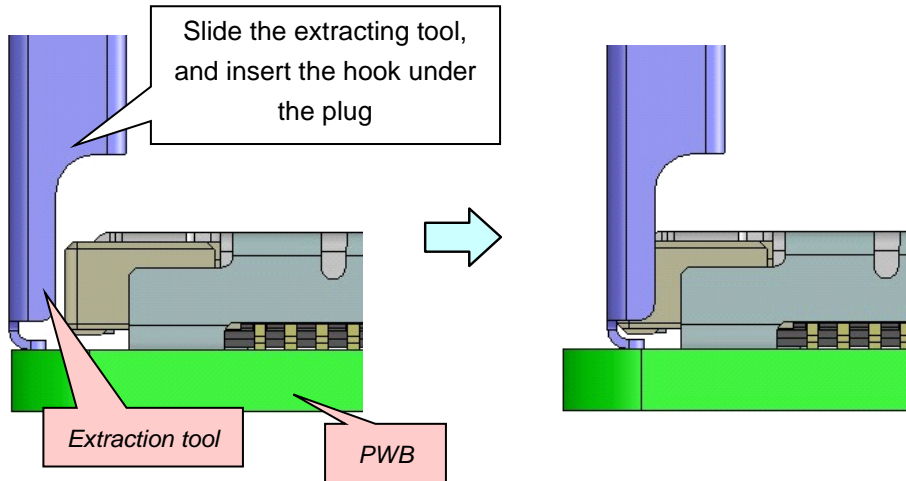


3-2.Extraction

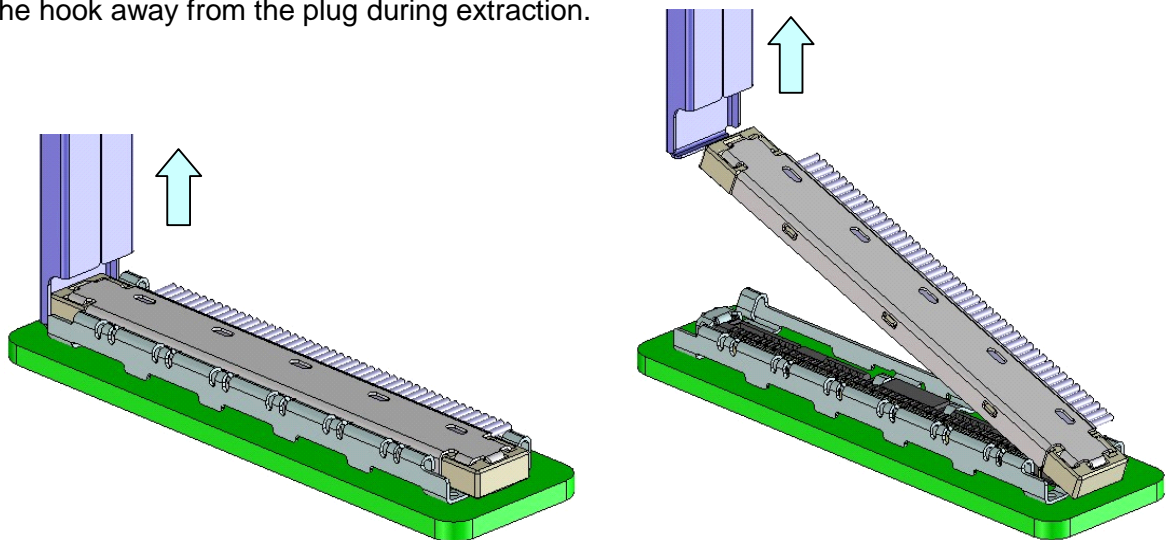
3-2-1: If the connector is extracted by pulling cable, the cable may be broken.
We recommend using this tool as stated below.

Product Name	Description
DF-SD1/RE-MD	Extracting tool

3-2-2: Please place down the hook on the edge of the extraction tool to the side space of the plug, and insert it into the clearance between plug housing and PWB

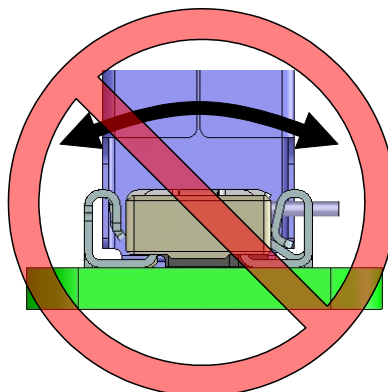


3-2-3: Pull up the extraction tool right above and extract the connector. Please try not to take off the hook away from the plug during extraction.



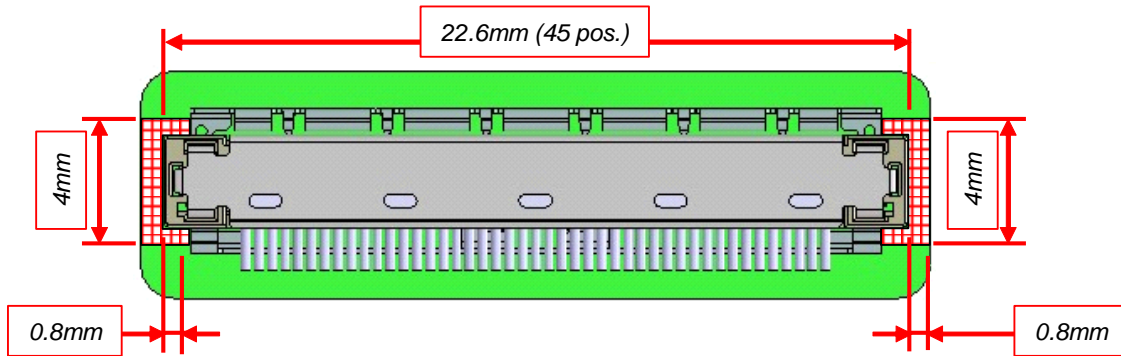
[Notes for extraction]

Extracting in slant direction with tool as shown below will cause a risk of connector deformation.



[Other notes]

1. For extraction operation, below space is needed.



2. Please be careful not to hurt yourself while using it.
The extraction tool is made of metal, and the hook is sharp-edged.

3. This product is NOT designed for hot swap operation.
Please keep the electricity off when the connectors are inserted or extracted.

4. 30times of insertion/extraction operations.