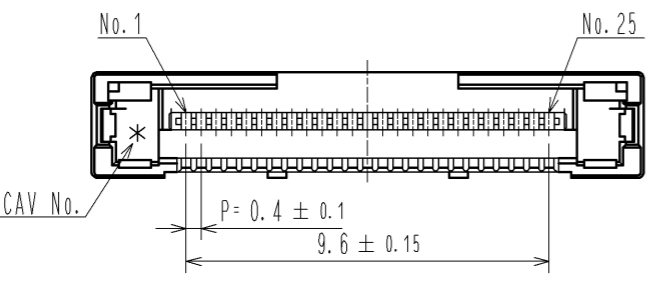
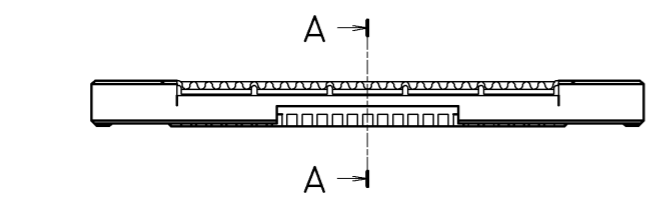
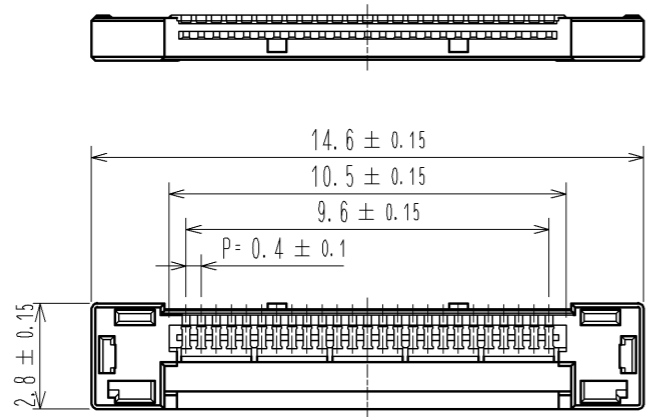
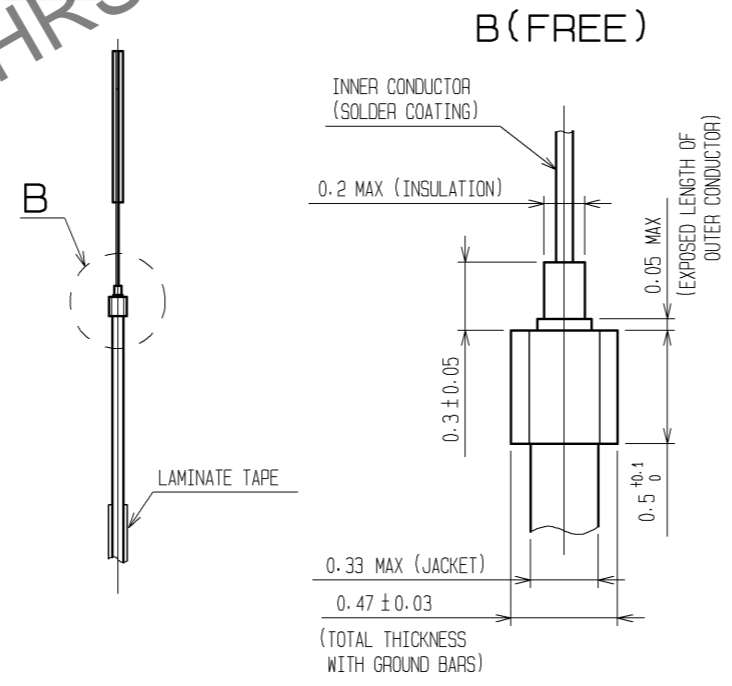
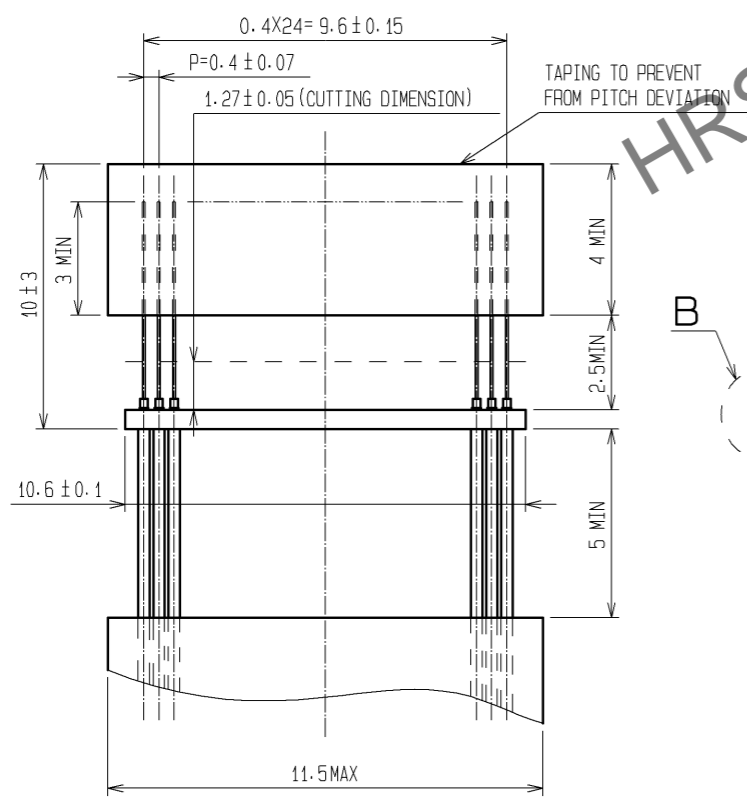


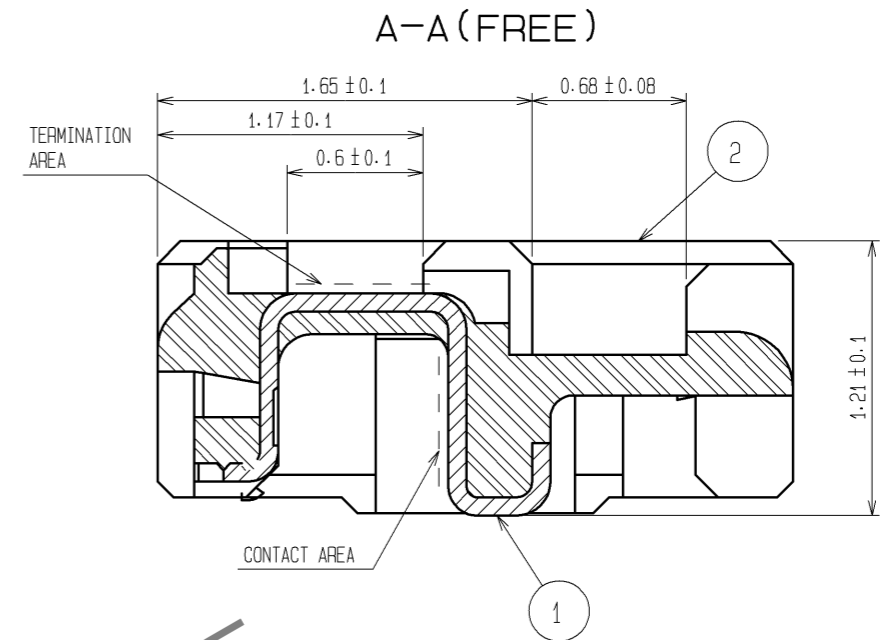
Jan.1.2025 Copyright 2025 HIROSE ELECTRIC CO., LTD. All Rights Reserved.  
In case of consideration for using Automotive equipment / device which demand high reliability, kindly contact our sales window correspondents.



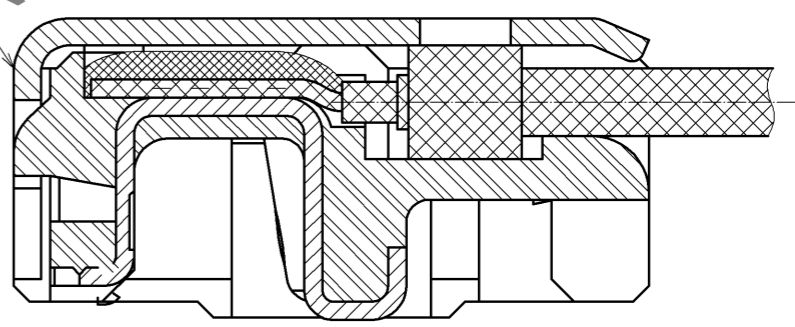
RECOMMENDED CABLE SUBASSEMBLY



B(FREE)



CABLE TERMINATION FIGURE(FREE)



- NOTES
1. APPLICABLE CABLE: THIN COAXIAL CABLE (AWG#42~AWG#46)
  2. THIS CONNECTOR IS NOT HOT PLUGCABLE. MATE AND UNMATE WHILE THE POWER IS OFF.
  3. THE ASSEMBLY IS COMPLETED BY COMBINING TWO PARTS (CONNECTOR UNIT, AND METAL SHIELDING). REFER TO THE TABLE FOR EACH ITEM No., PART NAME, PART No. AND CODE No. APPLICABLE SHELL IS DIFFERENT DEPENDING ON THE PART No. OF MATED CONNECTOR. USE DF36A-25P-SHL FOR DF36A-25S-0.4V(\*\*), USE DF36-25P-SHL FOR DF36-25S-0.4V(\*\*).
  4. BLACK MARKS MAY OCCASIONALLY OCCUR IN MOLD RESIN, YET THEY DO NOT AFFECT CONNECTOR QUALITY.

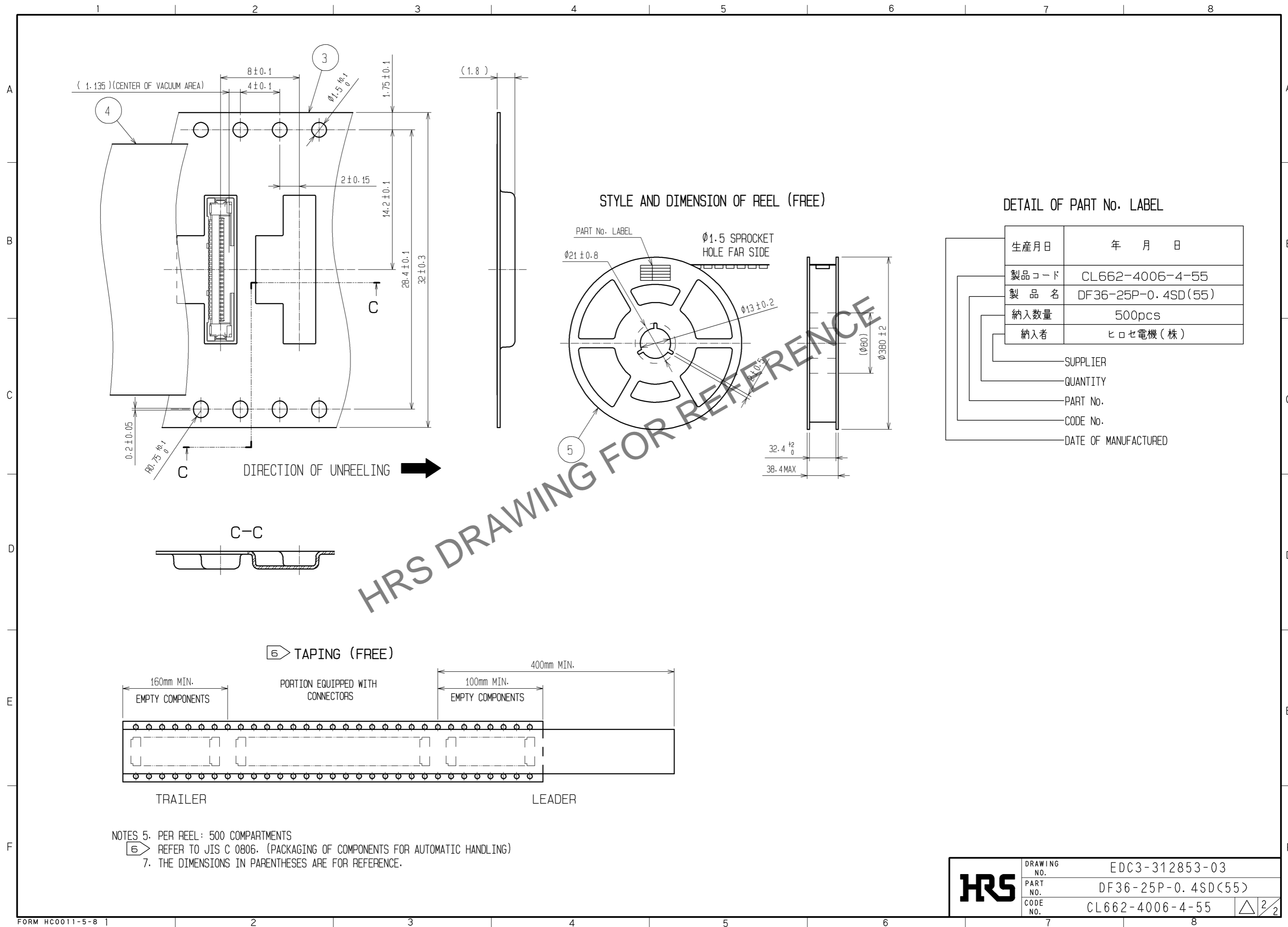
ITEM No.	PART NAME	PART No.	CODE No.
1,2	CONNECTOR UNIT	DF36-25P-0.4SD(55)	CL662-4006-4-55
-	METAL SHIELDING	DF36A-25P-SHL	CL662-4007-7-00
-	METAL SHIELDING	DF36-25P-SHL	CL662-4012-7-00

NO.	MATERIAL	FINISH	REMARKS	NO.	MATERIAL	FINISH	REMARKS
1	PHOSPHOR BRONZE		CONTACT AREA : GOLD PLATING 0.1µm min TERMINATION AREA : GOLD PLATING 0.1µm min UNDER PLATING : NICKEL PLATING 1µm min	2	LCP		UL94V-0, BEIGE
3				5	PS		BLACK
4				4	POLYESTER		CLEAR
				3	PS		CLEAR

UNITS	SCALE	COUNT	DESCRIPTION OF REVISIONS	DESIGNED	CHECKED	DATE
mm	5 : 1	△				
APPROVED : MH. YAMANE			14.07.18	DRAWING NO. EDC3-312853-03		
CHECKED : MH. TSUCHIDA			14.07.17	PART NO. DF36-25P-0.4SD(55)		
DESIGNED : AH. MIYAZAKI			14.07.16	CODE NO. CL662-4006-4-55		
DRAWN : AH. MIYAZAKI			14.07.16	△ 1/2		

Jan.1.2025 Copyright 2025 HIROSE ELECTRIC CO., LTD. All Rights Reserved.  
In case of consideration for using Automotive equipment / device which demand high reliability, kindly contact our sales window correspondents.



HRS DRAWING FOR REFERENCE

HRS	DRAWING NO.	EDC3-312853-03
	PART NO.	DF36-25P-0.4SD(55)
	CODE NO.	CL662-4006-4-55
		△ 2/2