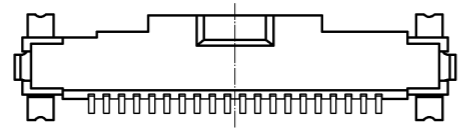
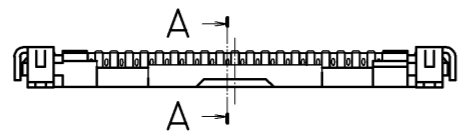
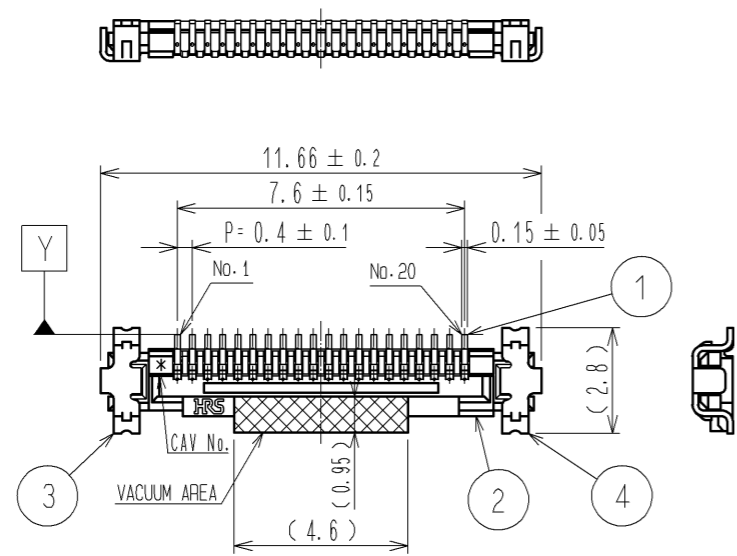
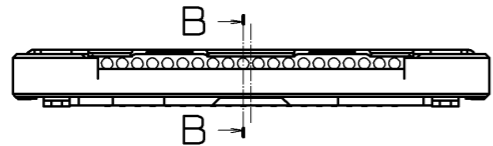
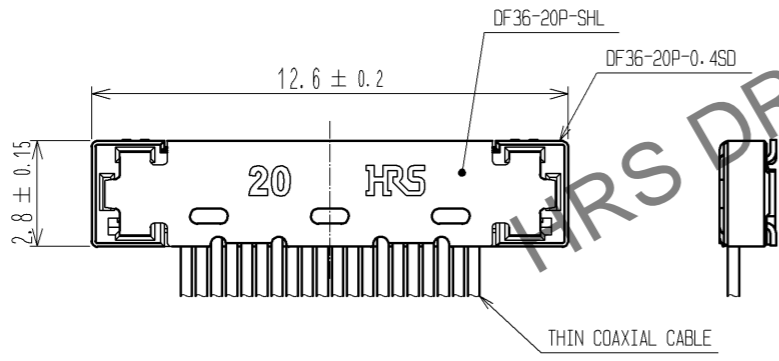


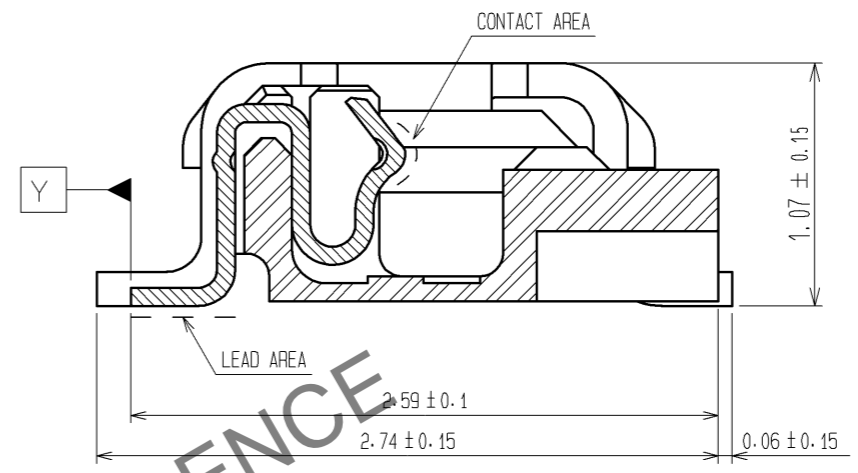
Jan.1.2025 Copyright 2025 HIROSE ELECTRIC CO., LTD. All Rights Reserved.
 In case of consideration for using Automotive equipment / device which demand high reliability, kindly contact our sales window correspondents.



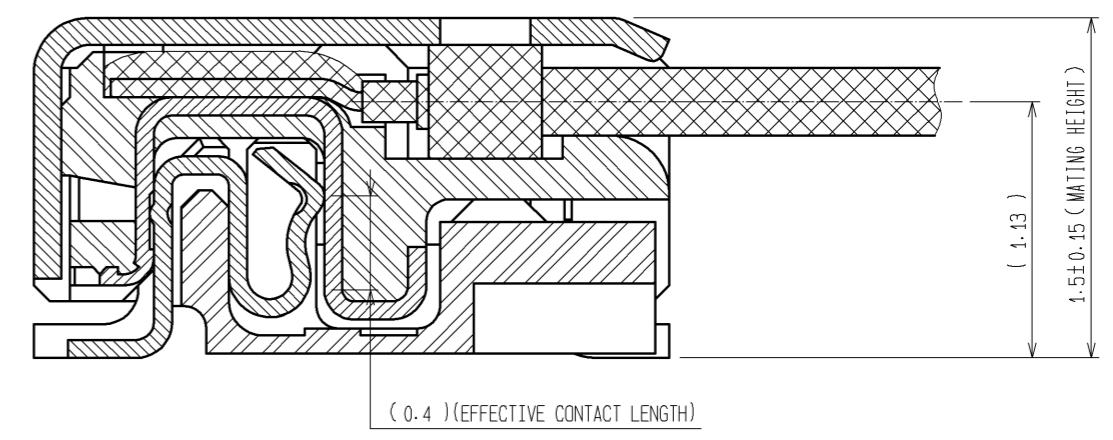
MATING FIGURE



A-A (FREE)



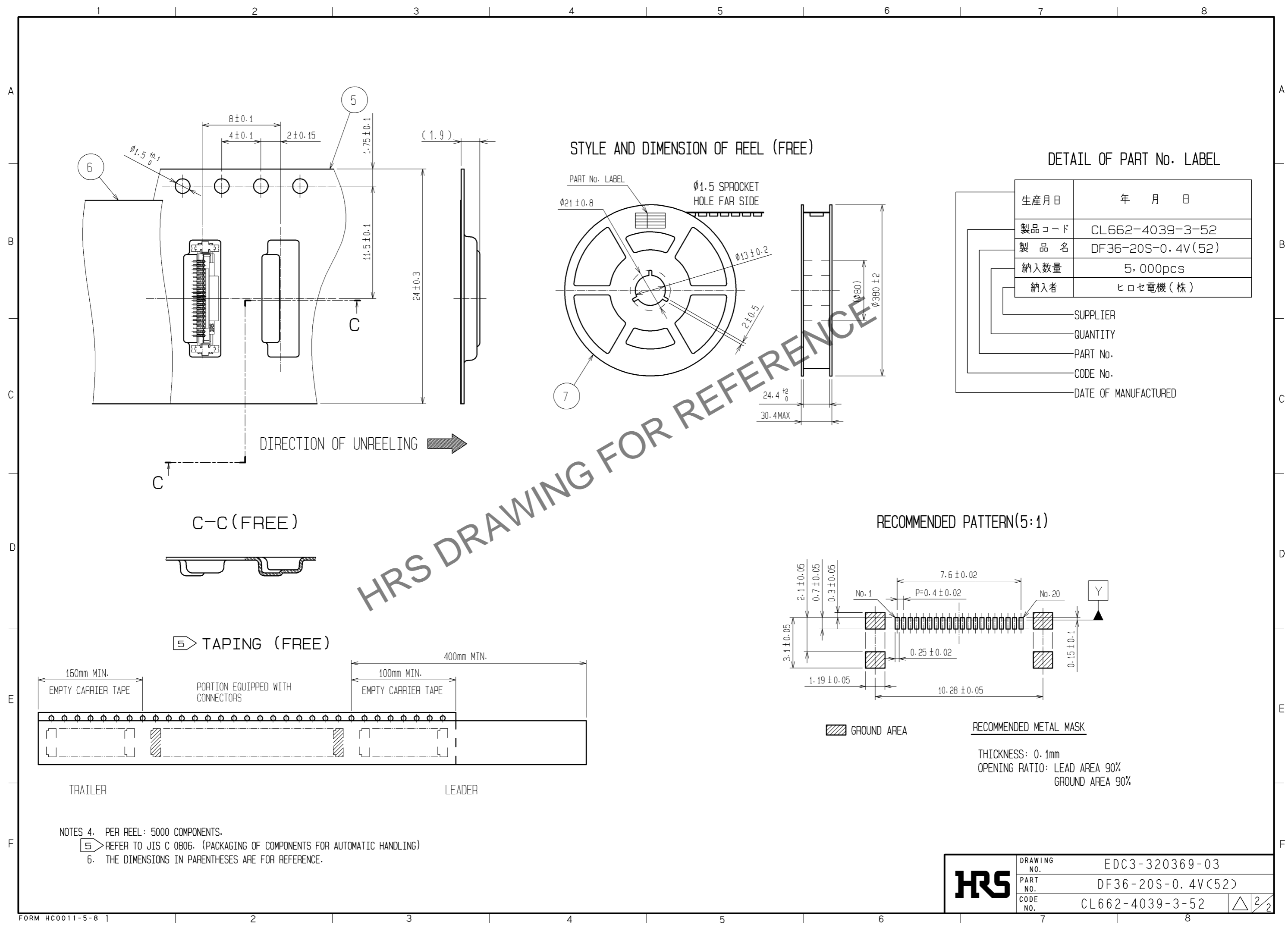
B-B (FREE)



- NOTES
1. LEAD CO-PLANARITY SHALL BE 0.1mm MAX.
 2. STIFFENER IS REQUIRED FOR MOUNTING ONTO FPC IN ORDER TO AVOID STRESS BY FPC SLACKING TO MOUNTED CONNECTOR.
 3. UNMATING SHALL BE DONE WITH THE SPECIFIC EXTRACTION TOOL.

3	PHOSPHOR BRONZE	WHOLE AREA : Au PLATING 0.1μm min UNDER PLATING : Ni PLATING 2μm min	7	PS	BLACK
2	LCP	UL94V-0 . BLACK	6	POLYESTER	CLEAR
1	PHOSPHOR BRONZE	CONTACT AREA : Au PLATING 0.3μm min LEAD AREA : Au PLATING 0.1μm min UNDER PLATING : Ni PLATING 2μm min	5	PS	CLEAR
NO.	MATERIAL	FINISH . REMARKS	NO.	MATERIAL	FINISH . REMARKS
UNITS mm		SCALE 5 : 1	COUNT △	DESCRIPTION OF REVISIONS	
DESIGNED		CHECKED		DATE	
APPROVED : TS. SAKATA 10.10.05			DRAWING NO. EDC3-320369-03		
CHECKED : HS. OZAWA 10.10.05			PART NO. DF36-20S-0.4V(52)		
DESIGNED : TP. MATSUMOTO 10.10.05			CODE NO. CL662-4039-3-52		
DRAWN : TP. MATSUMOTO 10.10.05			△ 1/2		

Jan.1.2025 Copyright 2025 HIROSE ELECTRIC CO., LTD. All Rights Reserved.
In case of consideration for using Automotive equipment / device which demand high reliability, kindly contact our sales window correspondents.



STYLE AND DIMENSION OF REEL (FREE)

DETAIL OF PART No. LABEL

生産月日	年 月 日
製品コード	CL662-4039-3-52
製品名	DF36-20S-0.4V(52)
納入数量	5,000pcs
納入者	ヒロセ電機(株)

_____ SUPPLIER
 _____ QUANTITY
 _____ PART No.
 _____ CODE No.
 _____ DATE OF MANUFACTURED

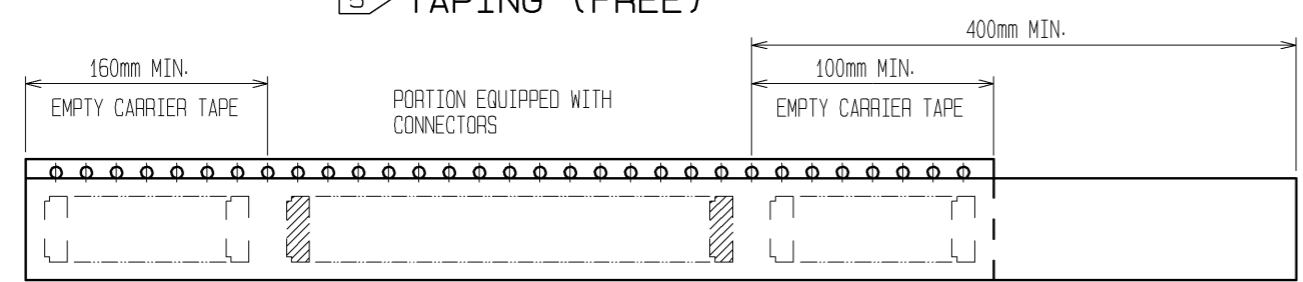
RECOMMENDED PATTERN(5:1)

▨ GROUND AREA
 ▨ RECOMMENDED METAL MASK
 THICKNESS: 0.1mm
 OPENING RATIO: LEAD AREA 90%
 GROUND AREA 90%

C-C (FREE)



5 TAPING (FREE)



NOTES 4. PER REEL: 5000 COMPONENTS.
 5 REFER TO JIS C 0806. (PACKAGING OF COMPONENTS FOR AUTOMATIC HANDLING)
 6. THE DIMENSIONS IN PARENTHESES ARE FOR REFERENCE.

HRS	DRAWING NO.	EDC3-320369-03
	PART NO.	DF36-20S-0.4V(52)
	CODE NO.	CL662-4039-3-52
		△ 2/2