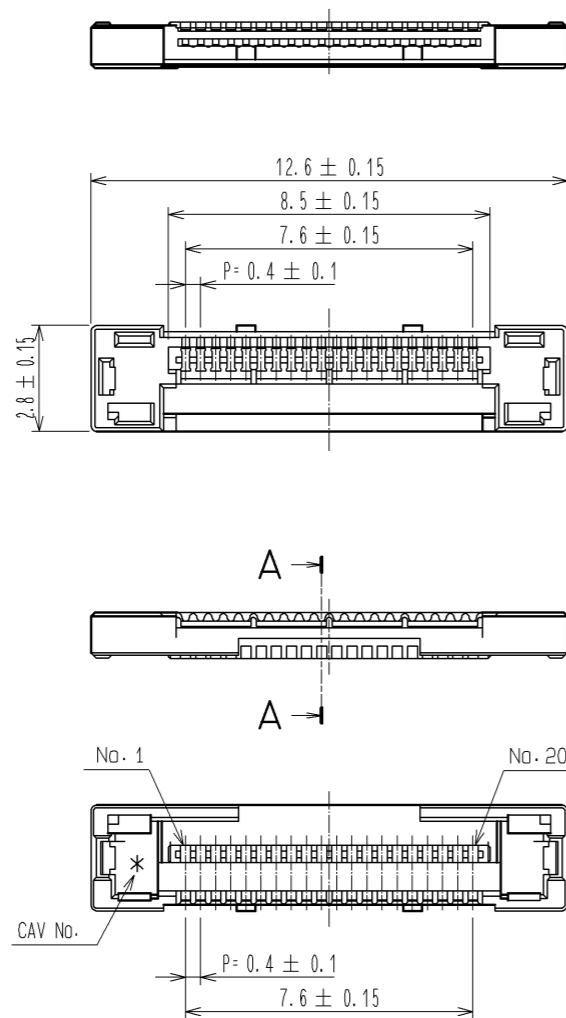
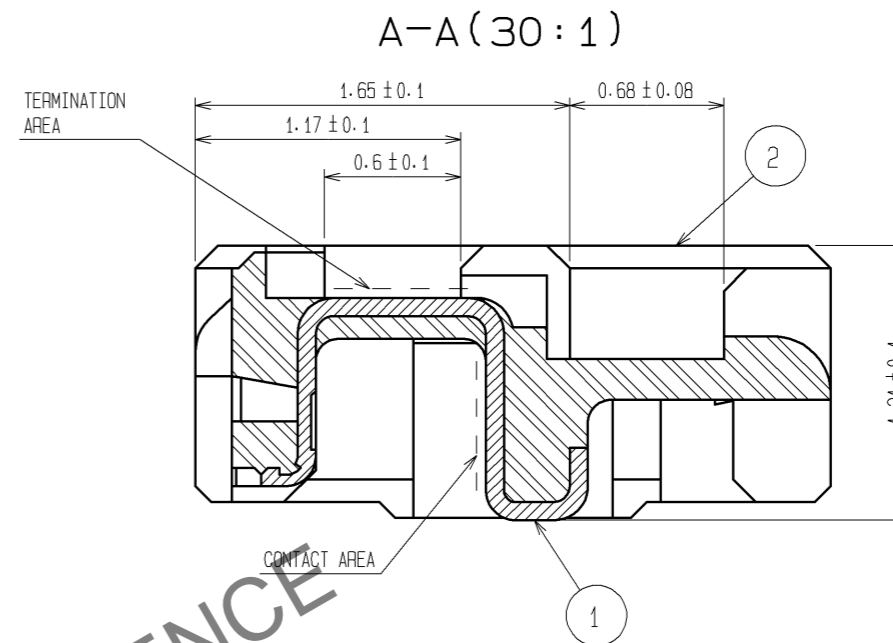
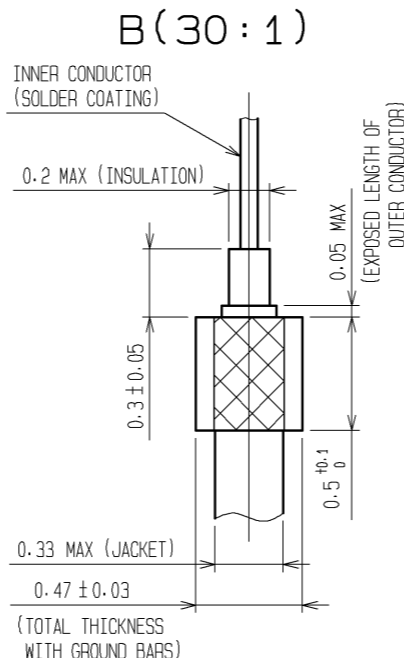
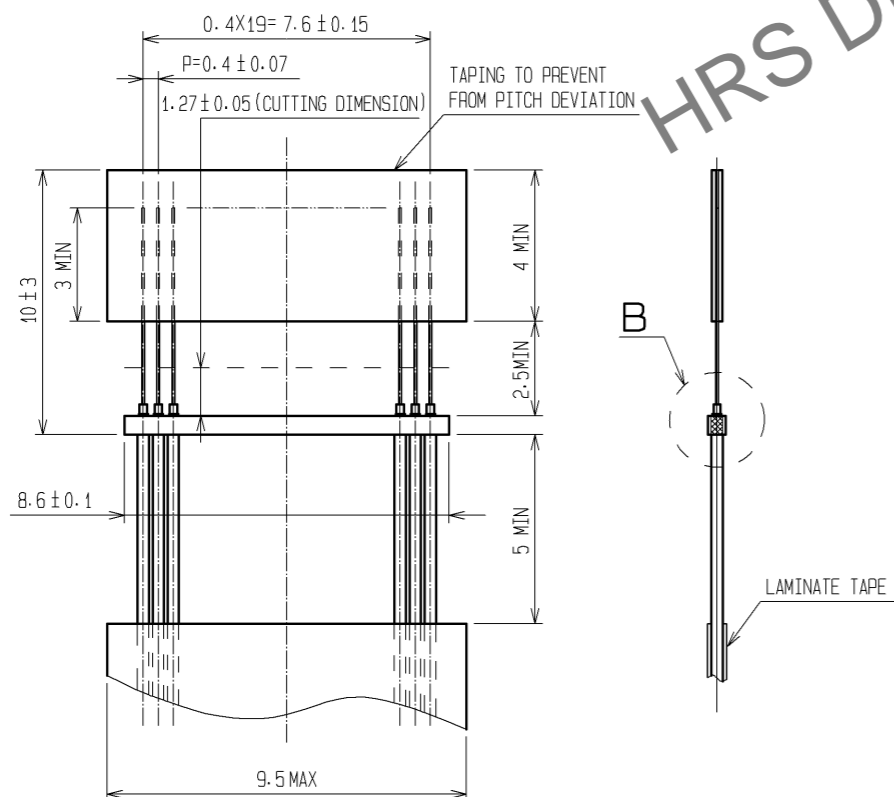


Apr.1.2025 Copyright 2025 HIROSE ELECTRIC CO., LTD. All Rights Reserved.
In case of consideration for using Automotive equipment / device which demand high reliability, kindly contact our sales window correspondents.



RECOMMENDED CABLE SUBASSEMBLY



CABLE TERMINATION FIGURE(30:1)

DF36A-20P-SHL or DF36-20P-SHL

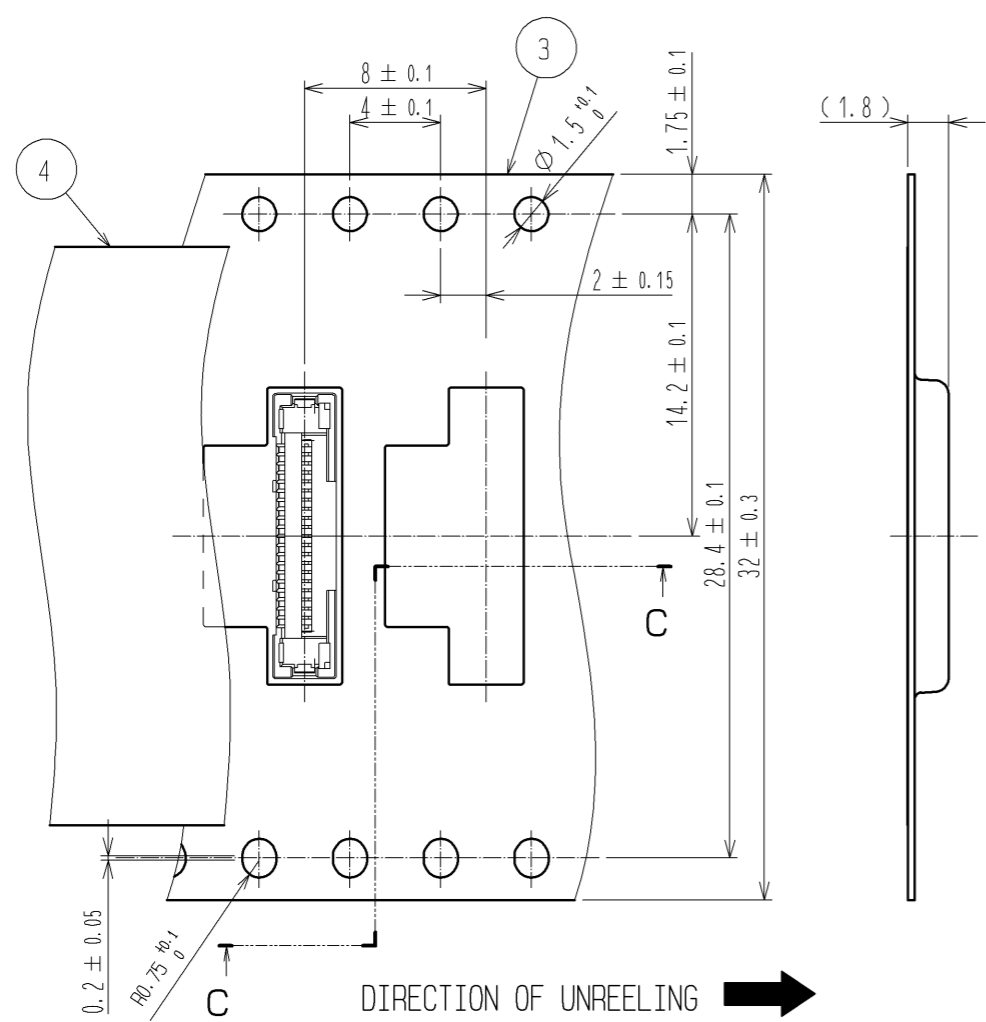
- NOTES 1. APPLICABLE CABLE: THIN COAXIAL CABLE(AWG#42-AWG#46)
 2. THIS CONNECTOR IS NOT HOT PLUGGABLE. MATE AND UNMATE WHILE THE POWER IS OFF.
 3. THE ASSEMBLY IS COMPLETED BY COMBINING TWO PARTS *CONNECTOR UNIT AND METAL SHIELDING*. REFER TO THE TABLE FOR EACH ITEM No. PART NAME, PART No AND CODE No. APPLICABLE SHELL IS DIFFERENT DEPENDING ON THE PART No. OF MATED CONNECTOR. USE DF36A-20P-SHL FOR DF36A-20S-0.4V(**), USE DF36-20P-SHL FOR DF36-20S-0.4V(**).

ITEM No.	PART NAME	PART No.	CODE No.
1, 2	CONNECTOR UNIT	DF36-20P-0.4SD(51)	CL662-4040-2-51
-	METAL SHIELDING	DF36A-20P-SHL	CL662-4042-8-00
-	METAL SHIELDING	DF36-20P-SHL	CL662-4041-5-00

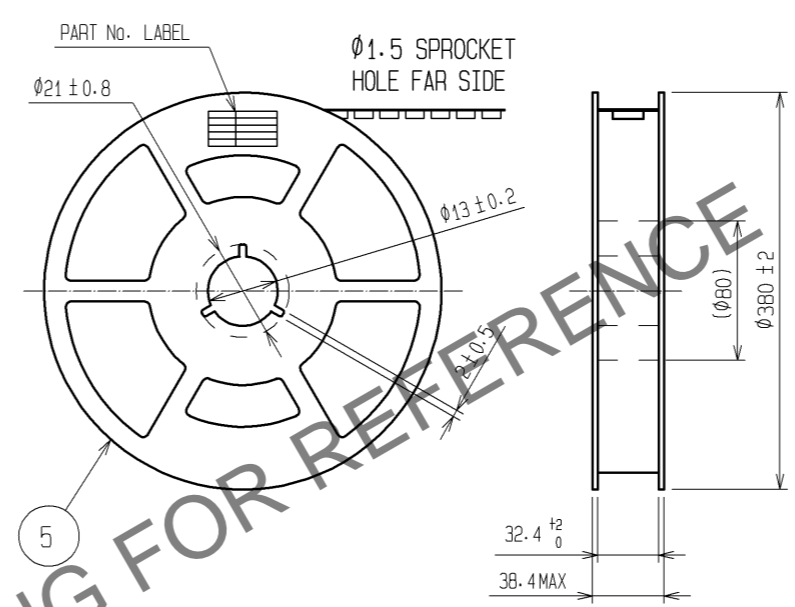
NO.	MATERIAL	FINISH	REMARKS	NO.	MATERIAL	FINISH	REMARKS
1	PHOSPHOR BRONZE	CONTACT AREA : Au PLATING 0.1µm min TERMINATION AREA : Au PLATING 0.1µm min UNDER PLATING : Ni PLATING 1µm min		5	PS		BLACK
				4	POLYESTER		CLEAR
				3	PS		CLEAR
				2	LCP		UL94V-0

UNITS	SCALE	COUNT	DESCRIPTION OF REVISIONS	DESIGNED	CHECKED	DATE
mm	5 : 1	△				
APPROVED : TS. SAKATA			09.04.17	DRAWING NO. EDC3-320378-01		
CHECKED : TS. FUKUSHIMA			09.04.17	PART NO. DF36-20P-0.4SD(51)		
DESIGNED : HY. SHIOZAWA			09.04.17	CODE NO. CL662-4040-2-51		
DRAWN : HY. SHIOZAWA			09.04.17	△ 1/2		

Apr.1.2025 Copyright 2025 HIROSE ELECTRIC CO., LTD. All Rights Reserved.
 In case of consideration for using Automotive equipment / device which demand high reliability, kindly contact our sales window correspondents.



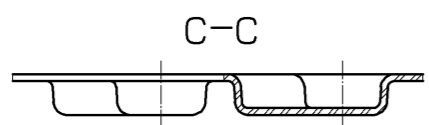
STYLE AND DIMENSION OF REEL (FREE)



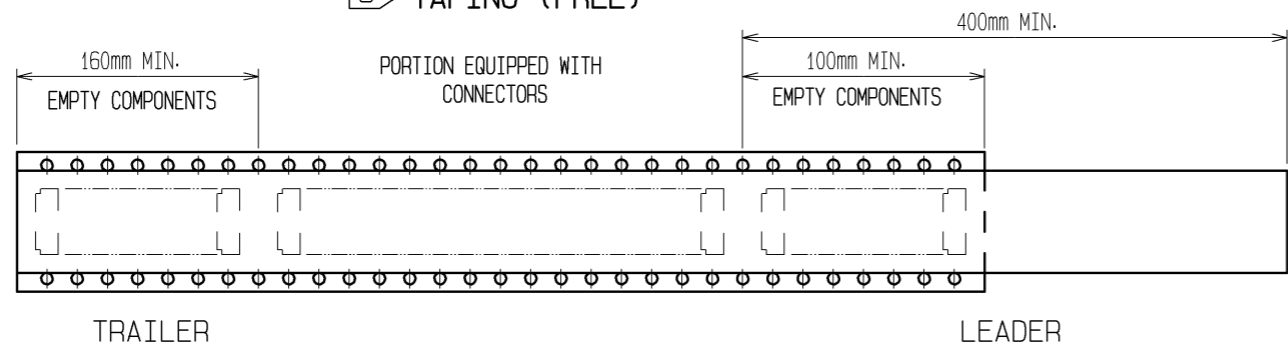
DETAIL OF PART No. LABEL

生産月日	年 月 日
製品コード	CL662-4040-2-51
製品名	DF36-20P-0.4SD(51)
納入数量	5,000pcs
納入者	ヒロセ電機(株)

_____ SUPPLIER
 _____ QUANTITY
 _____ PART No.
 _____ CODE No.
 _____ DATE OF MANUFACTURED



5 TAPING (FREE)



- NOTES
- 4. PER REEL: 5000 COMPONENTS.
 - 5. REFER TO JIS C 0806. (PACKAGING OF COMPONENTS FOR AUTOMATIC HANDLING)
 - 6. THE DIMENSIONS IN PARENTHESES ARE FOR REFERENCE.

HRS DRAWING FOR REFERENCE

HRS	DRAWING NO.	EDC3-320378-01
	PART NO.	DF36-20P-0.4SD(51)
	CODE NO.	CL662-4040-2-51
		△ 2/2