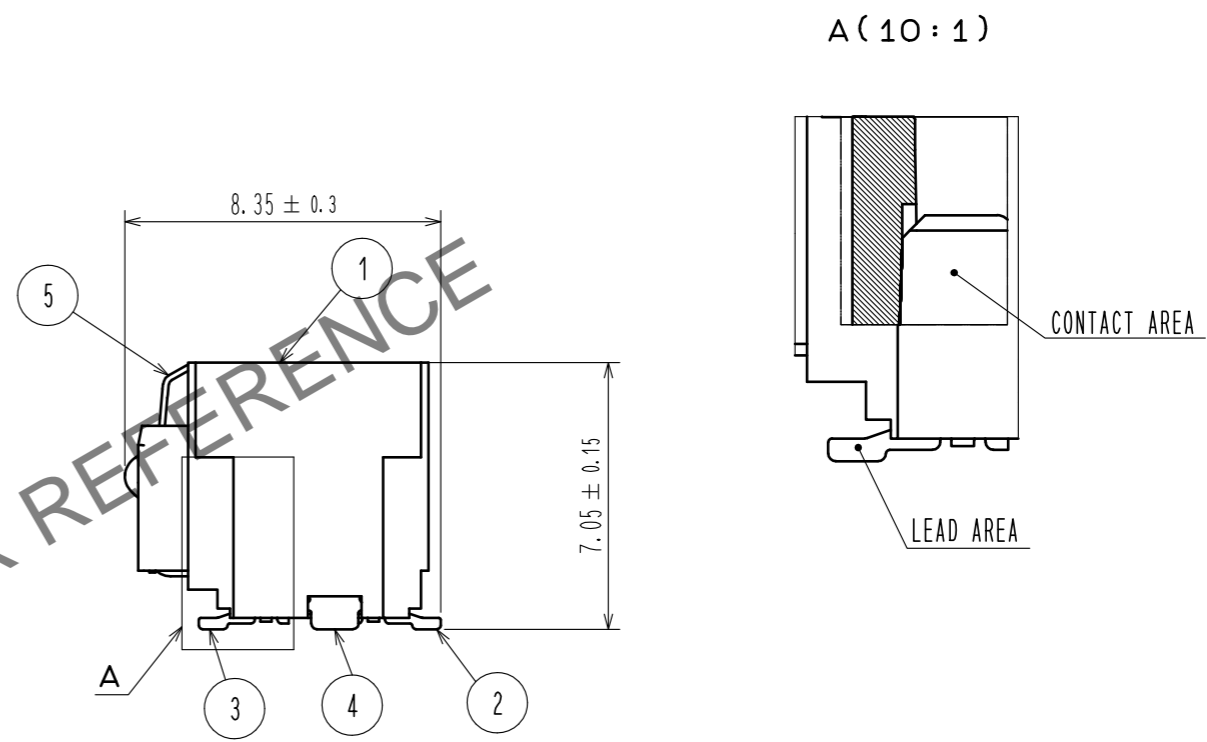
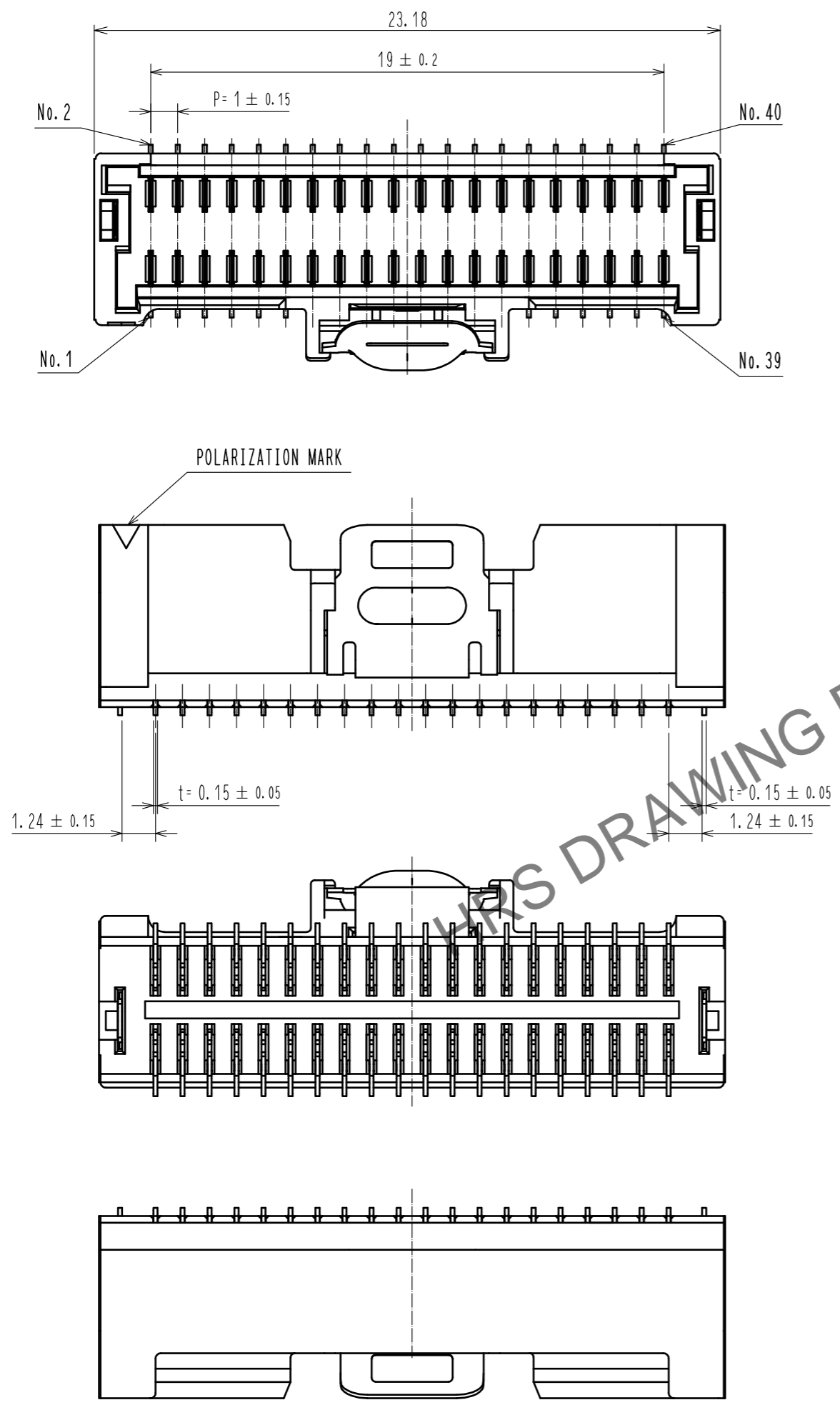


Aug.1.2024 Copyright 2024 HIROSE ELECTRIC CO., LTD. All Rights Reserved.  
In case of consideration for using Automotive equipment / device which demand high reliability, kindly contact our sales window correspondents.

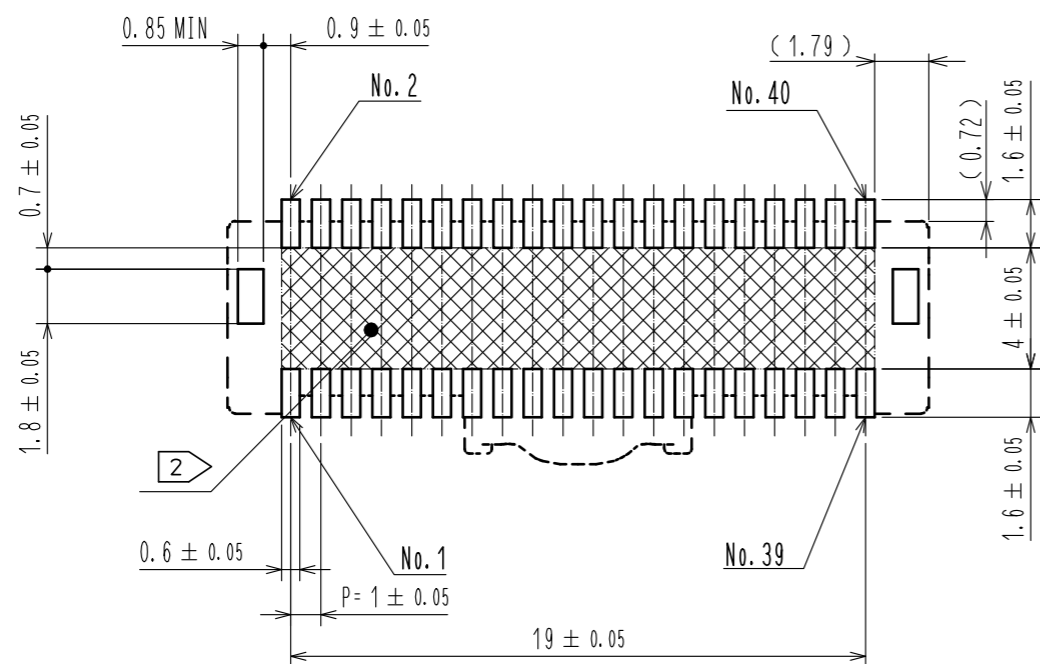


- NOTES
1. LEAD CO-PLANARITY SHALL BE 0.1 mm MAX.
  2. AREA INDICATED MUST BE FREE OF CONDUCTIVE TRACES OR THE CONDUCTIVE TRACES MUST BE COVERED BY RESIST FILM.
  3. PLEASE CONSULT HIROSE WHEN THE PRODUCT IS MOUNTED TO FPC.

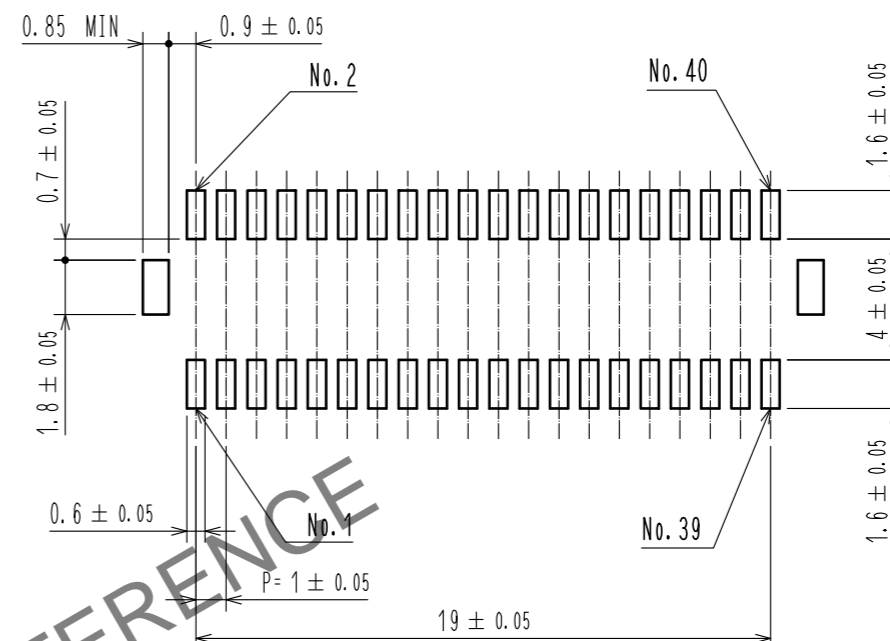
3	BRASS	CONTACT AREA : Au PLATING 0.05μm MIN.	9	POLYAMIDE	VACUUM CAP
		LEAD AREA : Au PLATING 0.05μm MIN.	8	PS	REEL, BLACK
		UNDERPLATING : Ni PLATING 1μm MIN.	7	POLYESTER	CLEAR
2	BRASS	CONTACT AREA : Au PLATING 0.05μm MIN.	6	PS	CLEAR
		LEAD AREA : Au PLATING 0.05μm MIN.	5	STAINLESS STEEL	-
		UNDERPLATING : Ni PLATING 1μm MIN.	4	BRASS	SURFACE : Sn PLATING 1μm MIN. UNDERPLATING : Ni PLATING 0.5μm MIN.
1	LCP	BLACK, UL94V-0			
NO.	MATERIAL	FINISH . REMARKS	NO.	MATERIAL	FINISH . REMARKS
UNITS mm		SCALE FREE	COUNT 1	DESCRIPTION OF REVISIONS DIS-H-00005059	
APPROVED : KI. AKIYAMA 20120608			DESIGNED	HT. SATO	
CHECKED : HK. UMEHARA 20120608			CHECKED	HS. OKAWA	
DESIGNED : TT. OHSAKO 20100514			DATE	20190711	
DRAWN : TT. OHSAKO 20100514			DRAWING NO.	EDC-324909-52-03	
			PART NO.	DF50-40DP-1V(52)	
			CODE NO.	CL665-0005-9-52	
			1/3		

Aug.1.2024 Copyright 2024 HIROSE ELECTRIC CO., LTD. All Rights Reserved.  
 In case of consideration for using Automotive equipment / device which demand high reliability, kindly contact our sales window correspondents.

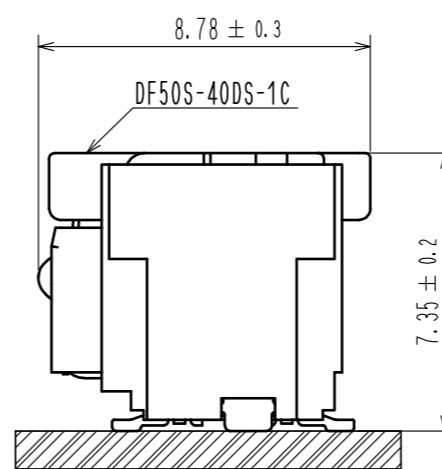
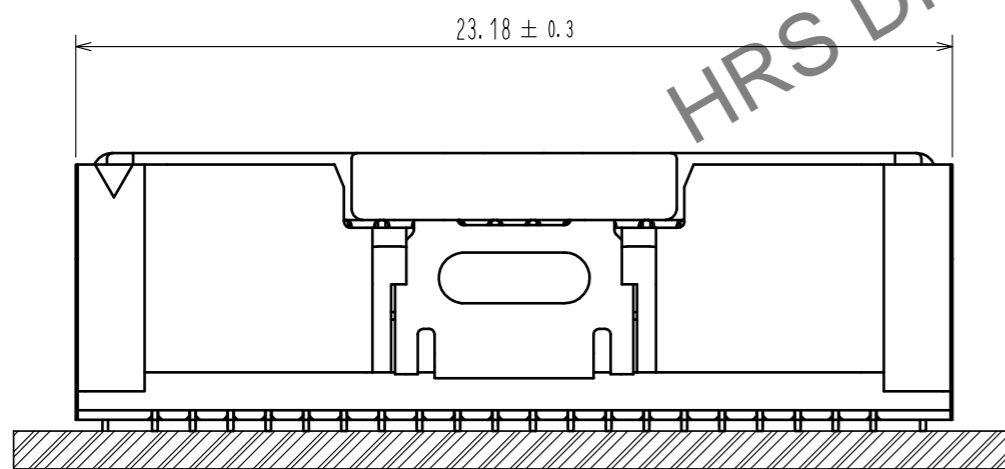
RECOMMENDED PCB LAYOUT  
 (MOUNTING SURFACE SIDE) (FREE)



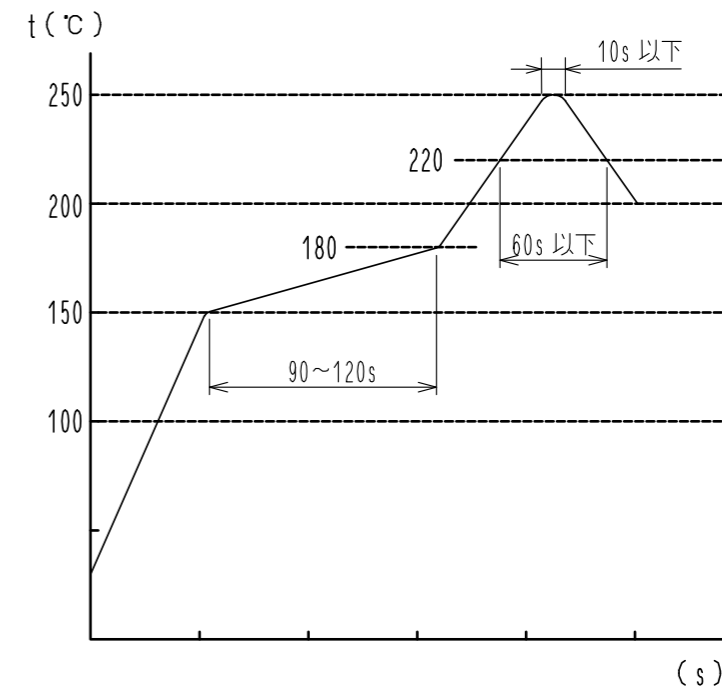
RECOMMENDED METAL MASK (FREE)  
 THICKNESS : 0.1mm



MATING FIGURE (5 : 1)



REFLOW TEMPERATURE PROFILE  
 USING LEAD-FREE SOLDER PASTE(REFERENCE)

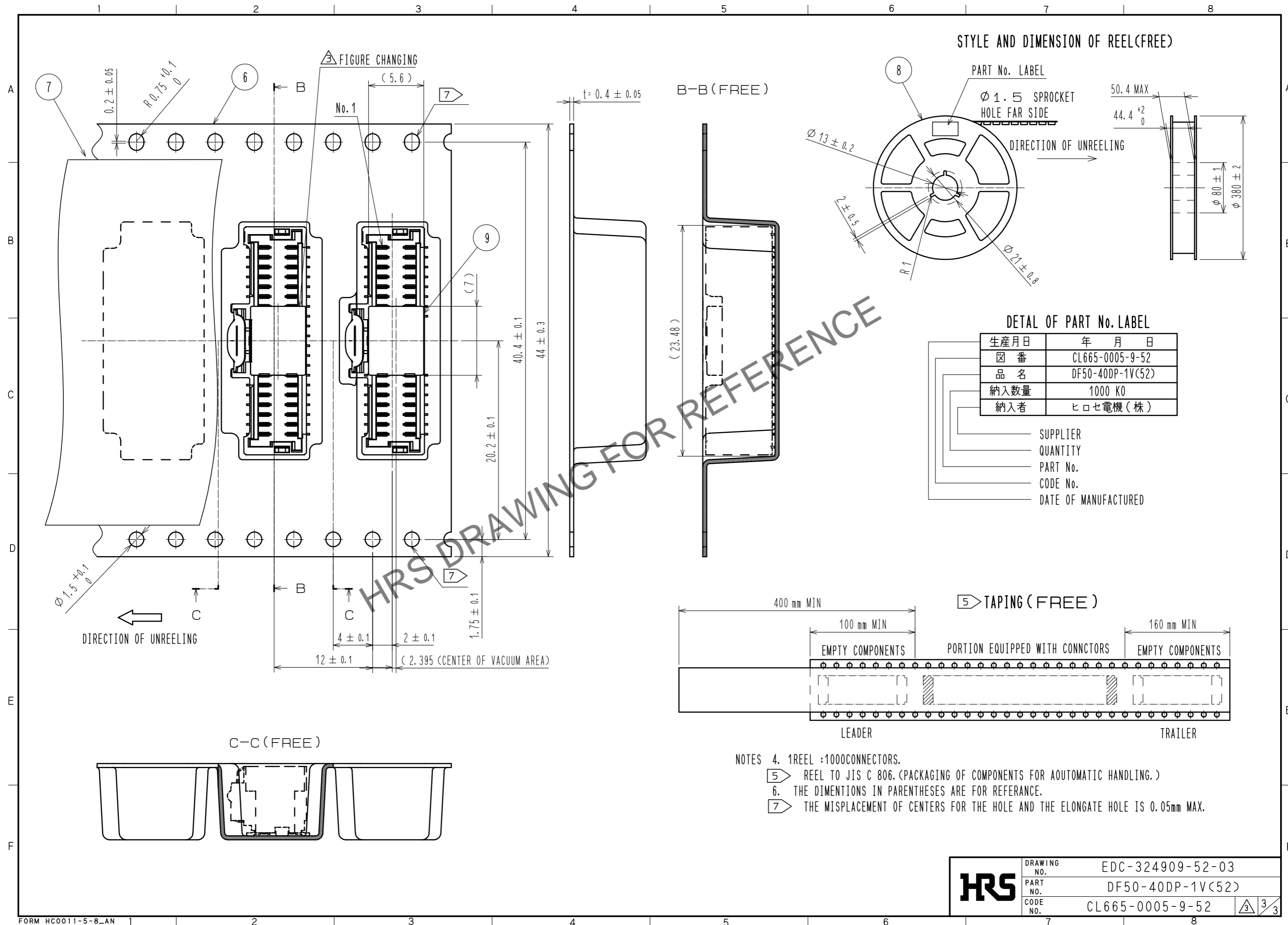


NUMBER OF REFLOW CYCLES : 2 CYCLES MAX.  
 THE TEMPERATURE OF THIS PROFILE IS MASURED ON THE LEAD TERMINAL.

WE RECOMMEND PERFORMING AN EVALUATION UNDER THE MOUNTING  
 CONDITIONS YOU WILL BE USING BECAUSE IT COULD BE AFFECTED  
 BY ANY CONDITION:TYPE OF SOLDER PASTE, SIZE OF PCB, MOUNTING  
 METAL etc.

<b>HRS</b>	DRAWING NO.	EDC-324909-52-03
	PART NO.	DF50-40DP-1V(52)
	CODE NO.	CL665-0005-9-52
		3/2

Aug.1.2024 Copyright 2024 HIROSE ELECTRIC CO., LTD. All Rights Reserved.  
 In case of consideration for using Automotive equipment / device which demand high reliability, kindly contact our sales window correspondents.



<b>HRS</b>	DRAWING NO.	EDC-324909-52-03
	PART NO.	DF50-40DP-1V(52)
	CODE NO.	CL665-0005-9-52
		3/3