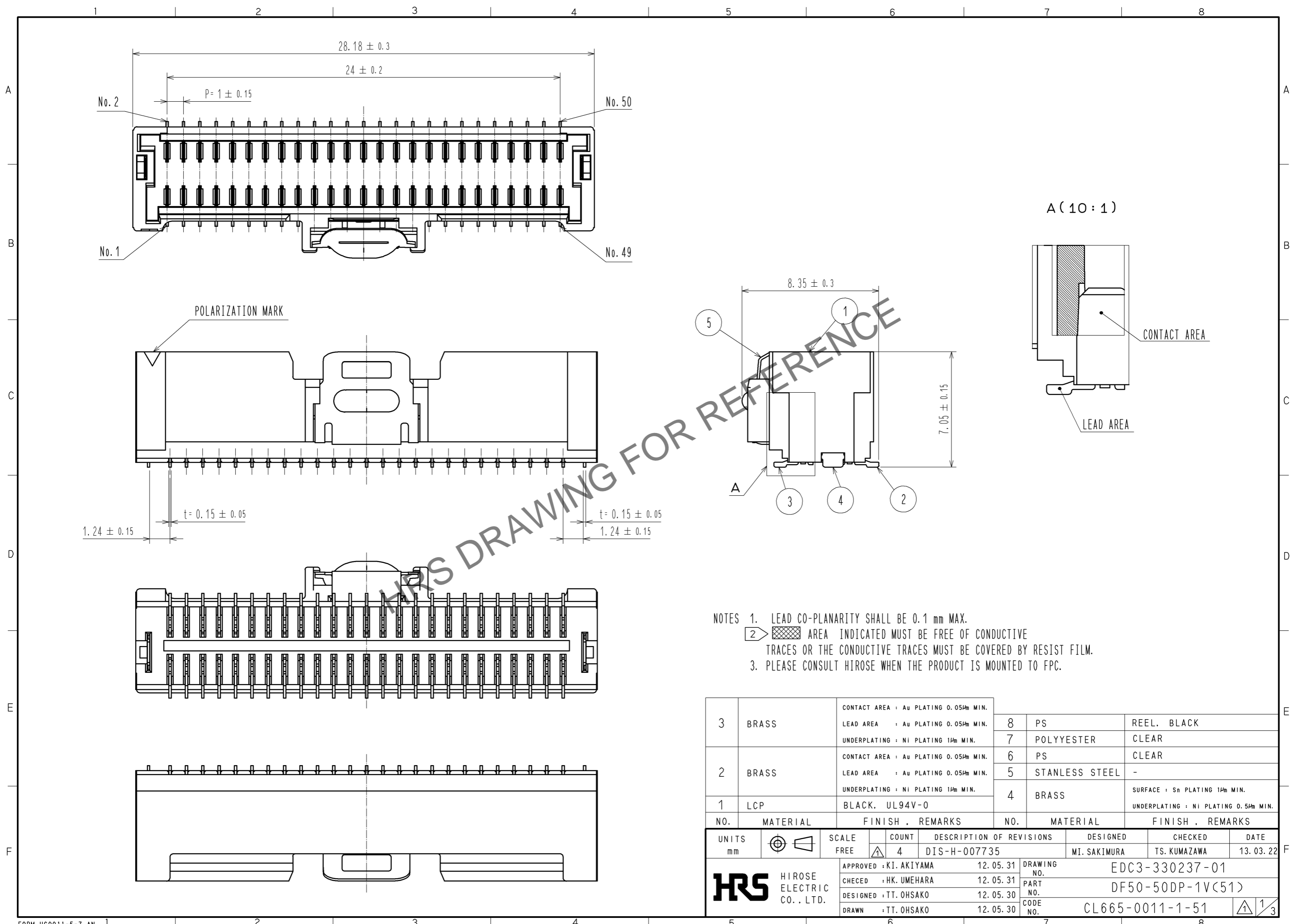


Sep.1.2024 Copyright 2024 HIROSE ELECTRIC CO., LTD. All Rights Reserved.
In case of consideration for using Automotive equipment / device which demand high reliability, kindly contact our sales window correspondents.

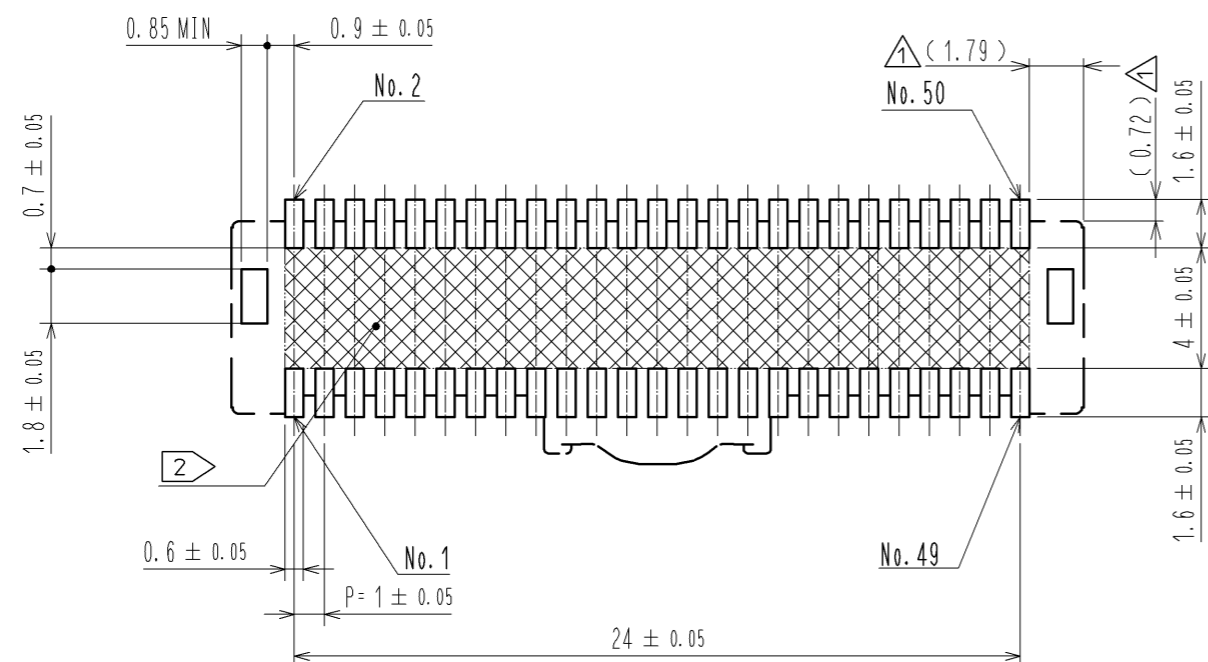


- NOTES
1. LEAD CO-PLANARITY SHALL BE 0.1 mm MAX.
 2. AREA INDICATED MUST BE FREE OF CONDUCTIVE TRACES OR THE CONDUCTIVE TRACES MUST BE COVERED BY RESIST FILM.
 3. PLEASE CONSULT HIROSE WHEN THE PRODUCT IS MOUNTED TO FPC.

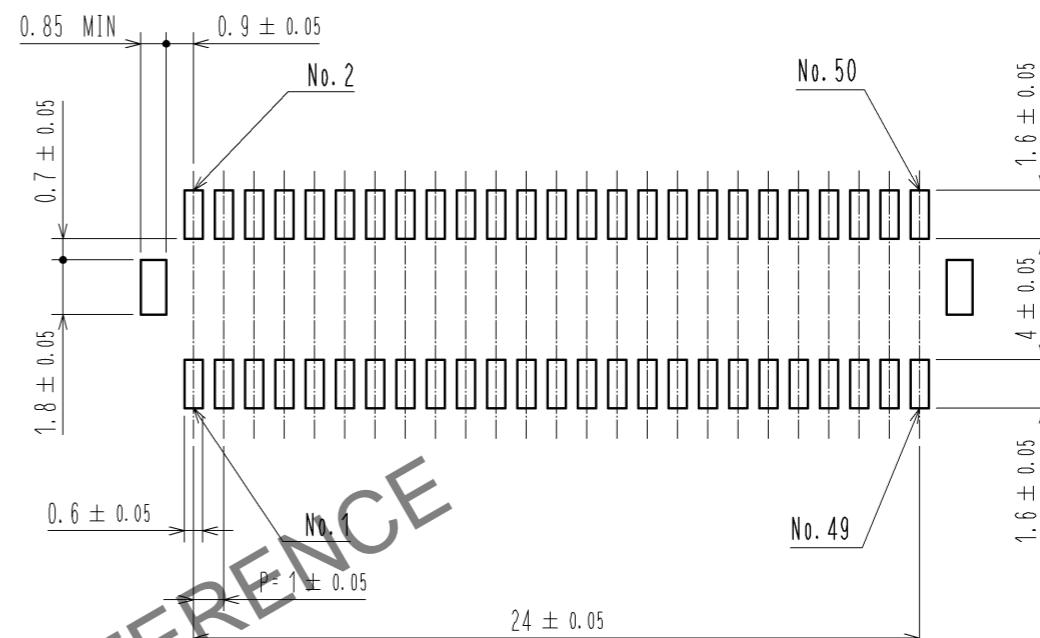
3	BRASS	CONTACT AREA : Au PLATING 0.05µm MIN. LEAD AREA : Au PLATING 0.05µm MIN. UNDERPLATING : Ni PLATING 1µm MIN.	8	PS	REEL, BLACK
2	BRASS	CONTACT AREA : Au PLATING 0.05µm MIN. LEAD AREA : Au PLATING 0.05µm MIN. UNDERPLATING : Ni PLATING 1µm MIN.	7	POLYESTER	CLEAR
1	LCP	BLACK, UL94V-0	6	PS	CLEAR
			5	STAINLESS STEEL	-
			4	BRASS	SURFACE : Sn PLATING 1µm MIN. UNDERPLATING : Ni PLATING 0.5µm MIN.
NO.	MATERIAL	FINISH . REMARKS	NO.	MATERIAL	FINISH . REMARKS
UNITS		SCALE	COUNT	DESCRIPTION OF REVISIONS	
mm		FREE	4	DIS-H-007735	
APPROVED : KI. AKIYAMA			12.05.31	DESIGNED	MI. SAKIMURA
CHECED : HK. UMEHARA			12.05.31	CHECKED	TS. KUMAZAWA
DESIGNED : TT. OHSAKO			12.05.30	DATE	13.03.22
DRAWN : TT. OHSAKO			12.05.30	DRAWING NO.	EDC3-330237-01
HRS HIROSE ELECTRIC CO., LTD.			PART NO. DF50-50DP-1V(51)		
			CODE NO. CL665-0011-1-51		

Sep.1.2024 Copyright 2024 HIROSE ELECTRIC CO., LTD. All Rights Reserved.
In case of consideration for using Automotive equipment / device which demand high reliability, kindly contact our sales window correspondents.

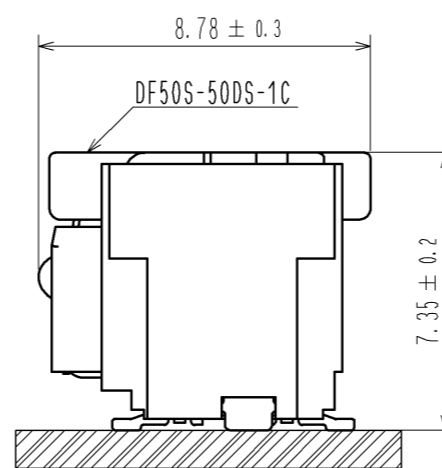
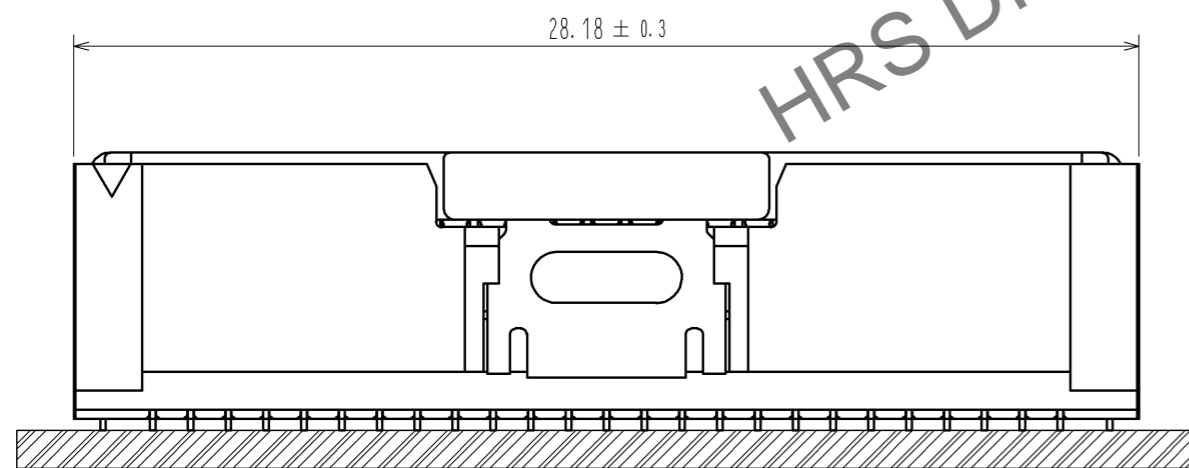
RECOMMENDED PCB LAYOUT
(MOUNTING SURFACE SIDE) (FREE)



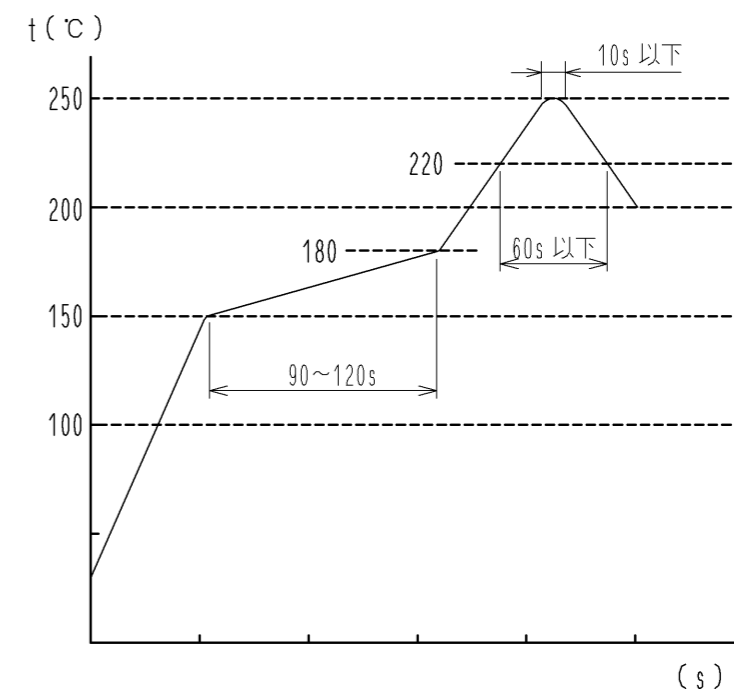
RECOMMENDED METAL MASK (FREE)
THICKNESS : 0.1mm



MATING FIGURE (5 : 1)



REFLOW TEMPERATURE PROFILE
USING LEAD-FREE SOLDER PASTE(REFERENCE)

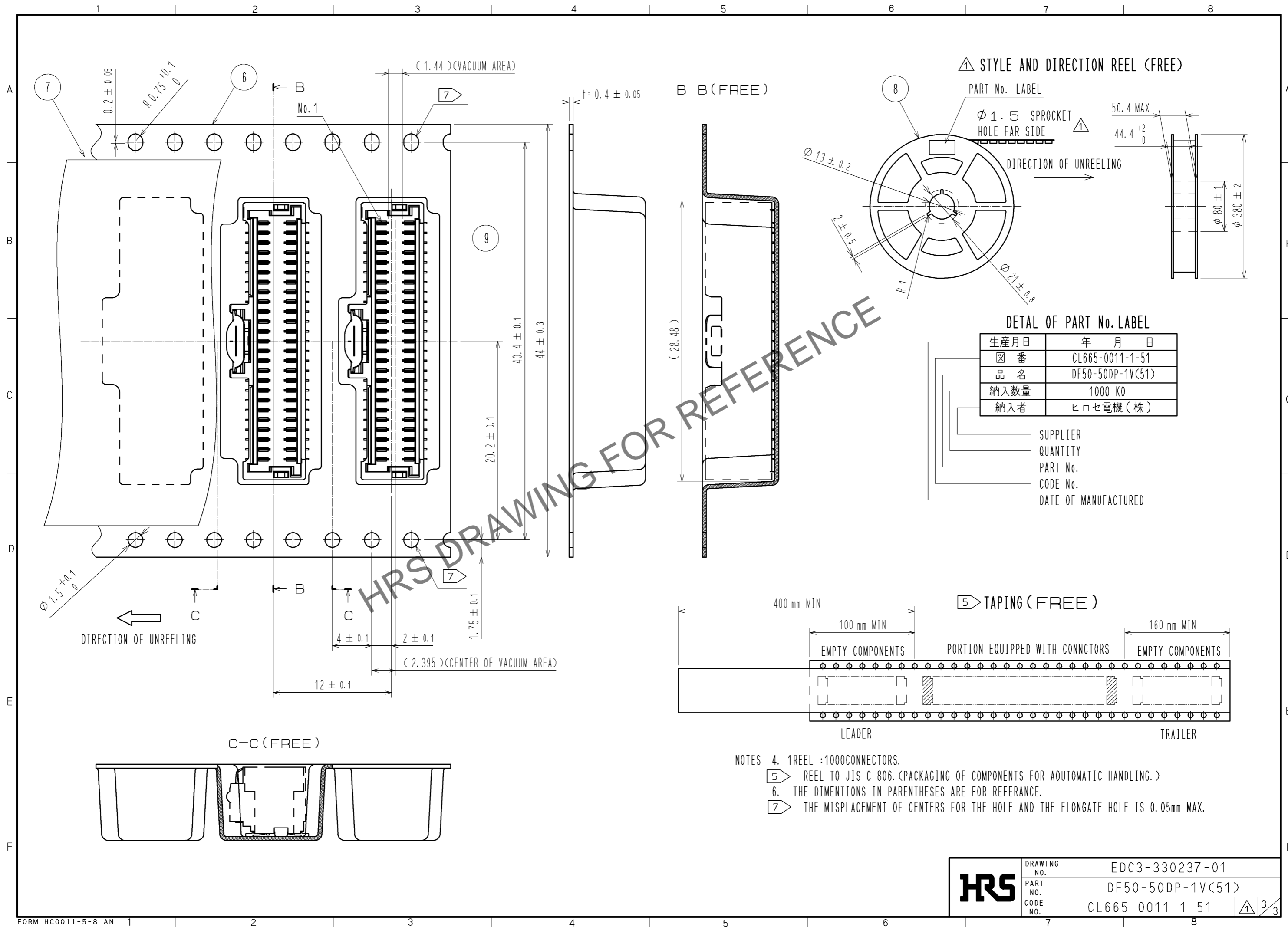


NUMBER OF REFLOW CYCLES : 2 CYCLES MAX.
THE TEMPERATURE OF THIS PROFILE IS MASURED ON THE LEAD TERMINAL.

WE RECOMMEND PERFORMING AN EVALUATION UNDER THE MOUNTING
CONDITIONS YOU WILL BE USING BECAUSE IT COULD BE AFFECTED
BY ANY CONDITION:TYPE OF SOLDER PASTE, SIZE OF PCB, MOUNTING
METAL etc.

HRS	DRAWING NO.	EDC3-330237-01
	PART NO.	DF50-50DP-1V(51)
	CODE NO.	CL665-0011-1-51
		2/3

Sep.1.2024 Copyright 2024 HIROSE ELECTRIC CO., LTD. All Rights Reserved.
 In case of consideration for using Automotive equipment / device which demand high reliability, kindly contact our sales window correspondents.



HRS	DRAWING NO.	EDC3-330237-01
	PART NO.	DF50-50DP-1V(51)
	CODE NO.	CL665-0011-1-51
		3/3