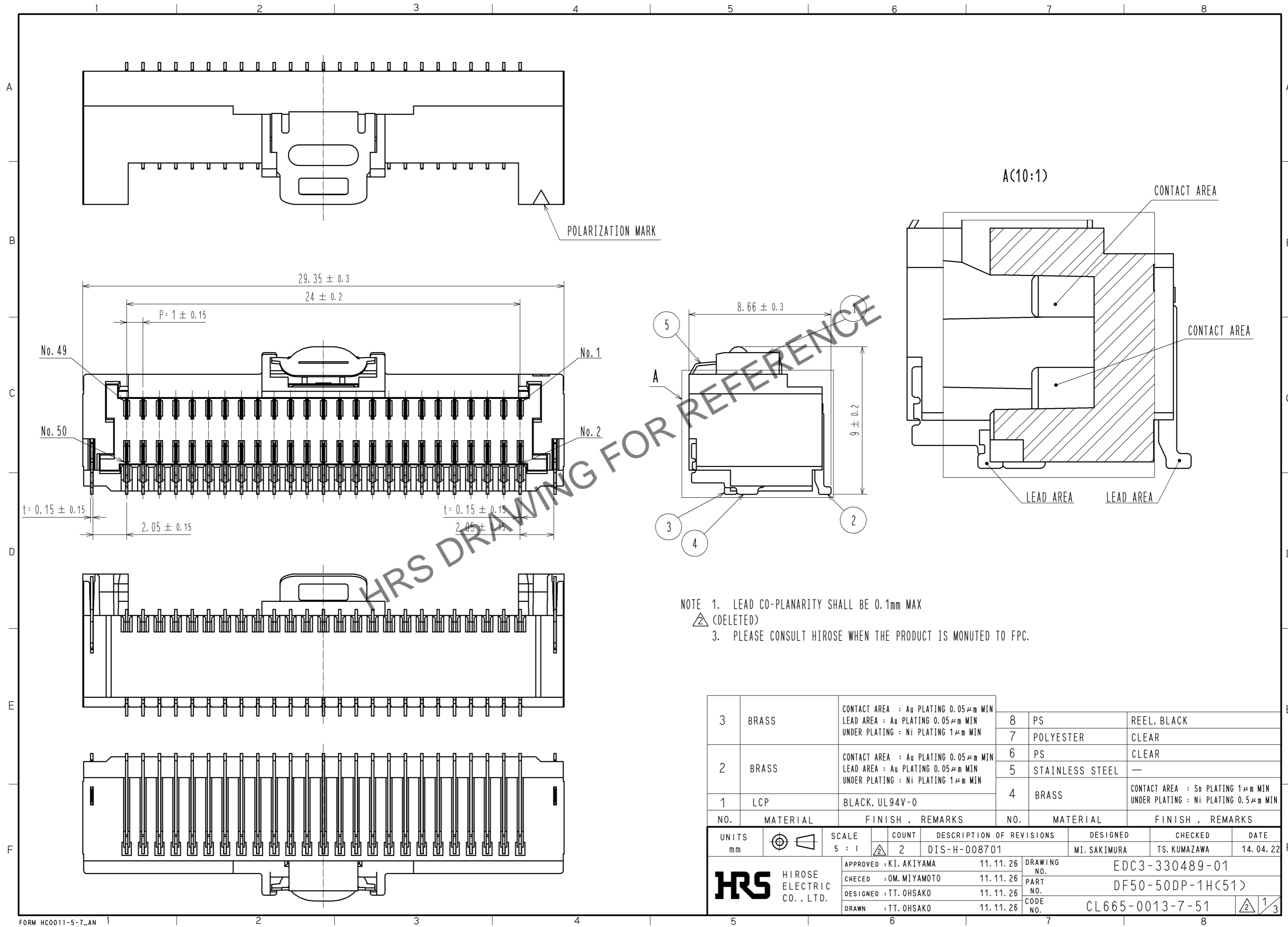


Aug.1.2024 Copyright 2024 HIROSE ELECTRIC CO., LTD. All Rights Reserved.  
 In case of consideration for using Automotive equipment / device which demand high reliability, kindly contact our sales window correspondents.



NOTE 1. LEAD CO-PLANARITY SHALL BE 0.1mm MAX  
 (DELETED)  
 3. PLEASE CONSULT HIROSE WHEN THE PRODUCT IS MONITED TO FPC.

NO.	MATERIAL	FINISH . REMARKS	NO.	MATERIAL	FINISH . REMARKS
3	BRASS	CONTACT AREA : Au PLATING 0.05 $\mu$ m MIN LEAD AREA : Au PLATING 0.05 $\mu$ m MIN UNDER PLATING : Ni PLATING 1 $\mu$ m MIN	8	PS	REEL, BLACK
2	BRASS	CONTACT AREA : Au PLATING 0.05 $\mu$ m MIN LEAD AREA : Au PLATING 0.05 $\mu$ m MIN UNDER PLATING : Ni PLATING 1 $\mu$ m MIN	7	POLYESTER	CLEAR
1	LCP	BLACK, UL94V-0	6	PS	CLEAR
			5	STAINLESS STEEL	—
			4	BRASS	CONTACT AREA : Sn PLATING 1 $\mu$ m MIN UNDER PLATING : Ni PLATING 0.5 $\mu$ m MIN

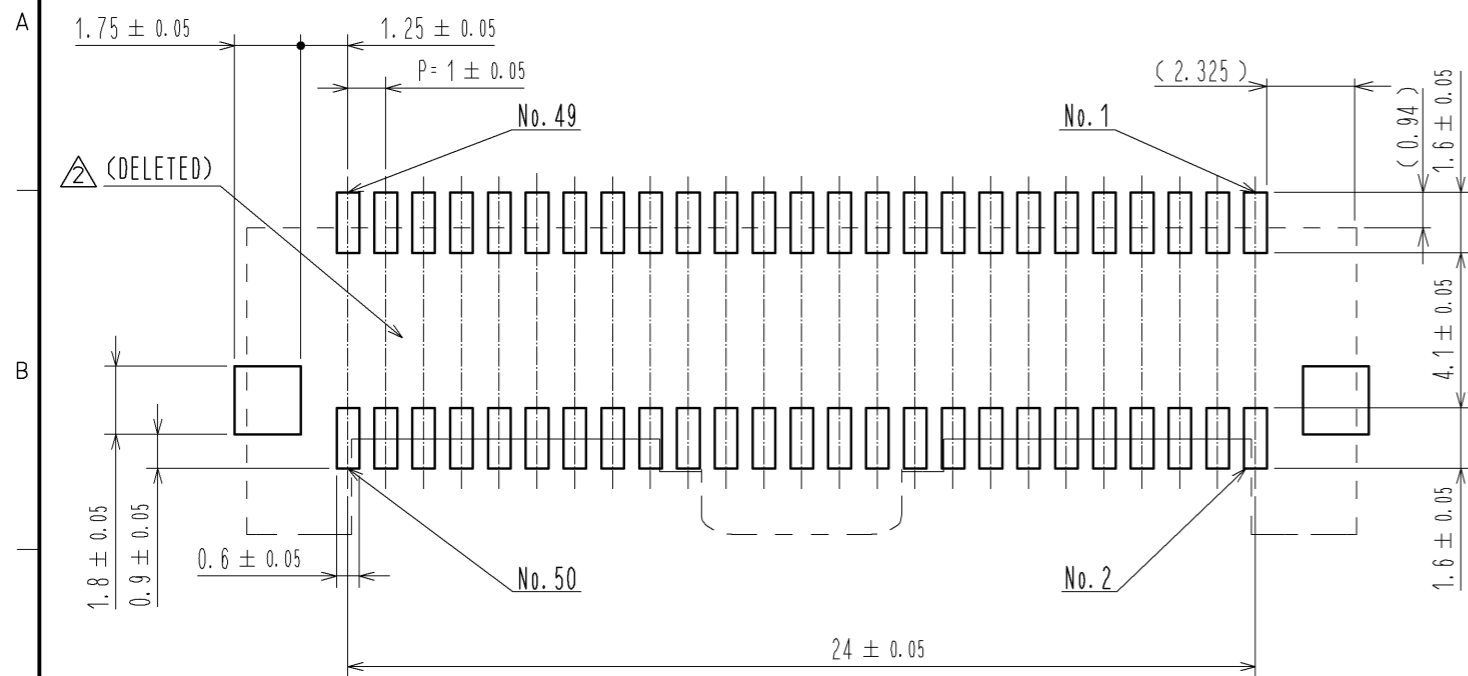
UNITS	SCALE	COUNT	DESCRIPTION OF REVISIONS	DESIGNED	CHECKED	DATE
mm	5 : 1	2	DIS-H-008701	MI. SAKIMURA	TS. KUMAZAWA	14. 04. 22

APPROVED	DATE	DRAWING NO.
: KI. AKIYAMA	11. 11. 26	EDC3-330489-01
CHECED	DATE	PART NO.
: OM. MIYAMOTO	11. 11. 26	DF50-50DP-1H(51)
DESIGNED	DATE	CODE NO.
: TT. OHSAGO	11. 11. 26	CL665-0013-7-51
DRAWN	DATE	
: TT. OHSAGO	11. 11. 26	

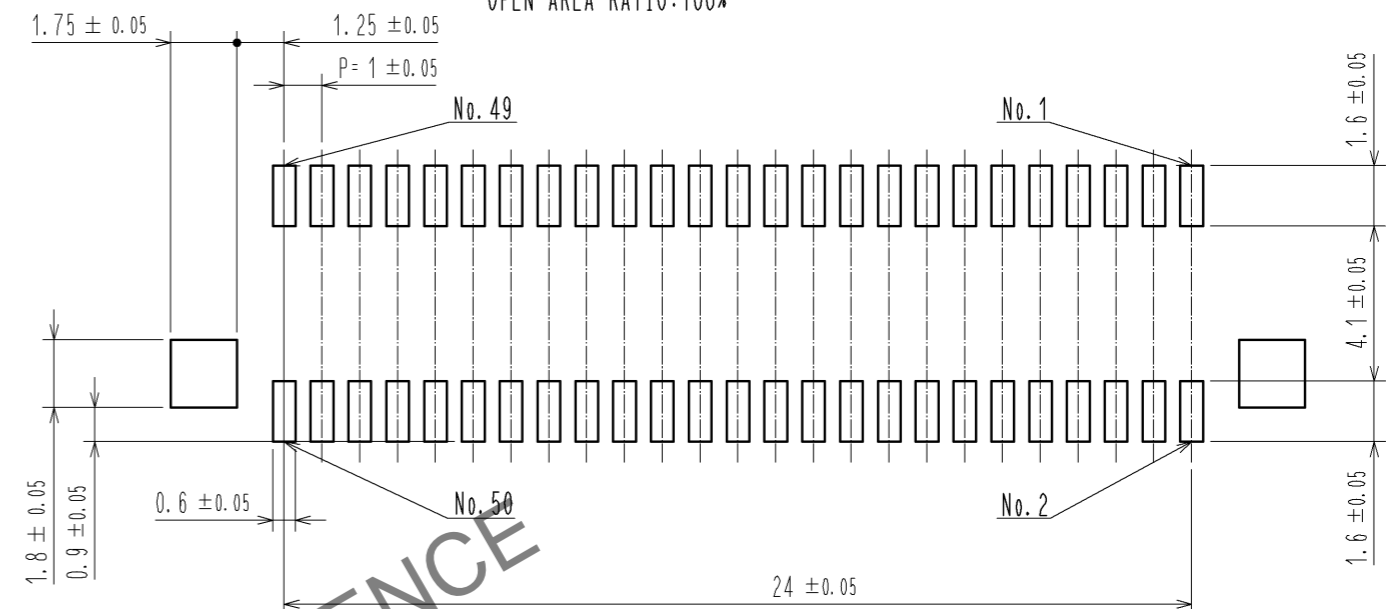
Aug.1.2024 Copyright 2024 HIROSE ELECTRIC CO., LTD. All Rights Reserved.  
 In case of consideration for using Automotive equipment / device which demand high reliability, kindly contact our sales window correspondents.

RECOMMENDED PCB LAYOUT  
 (MOUNTING SURFACE SIDE) (FREE)

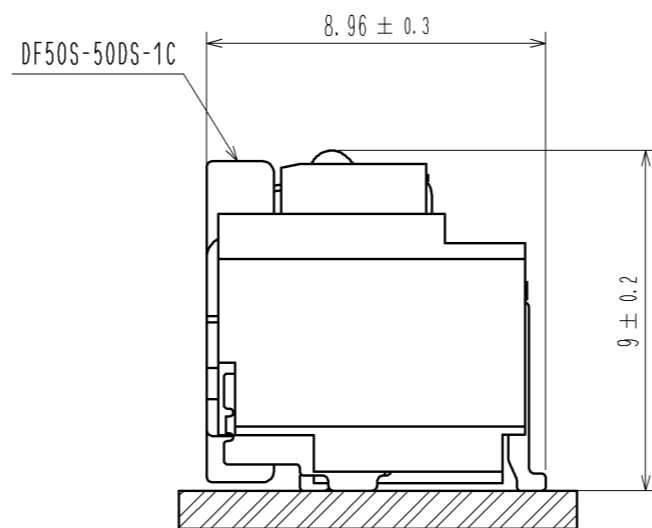
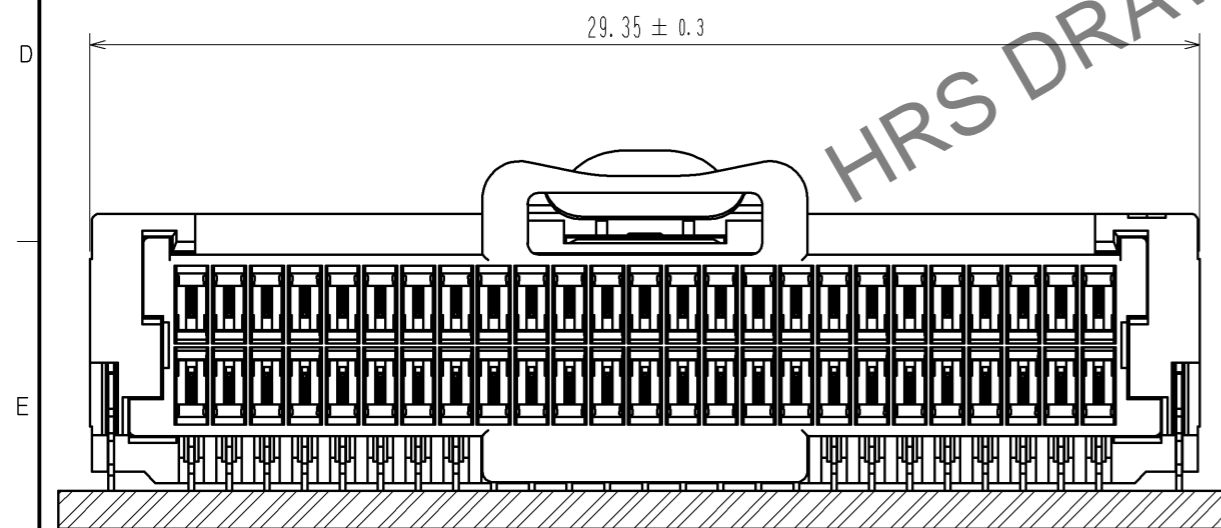


RECOMMENDED METAL MASK (FREE)

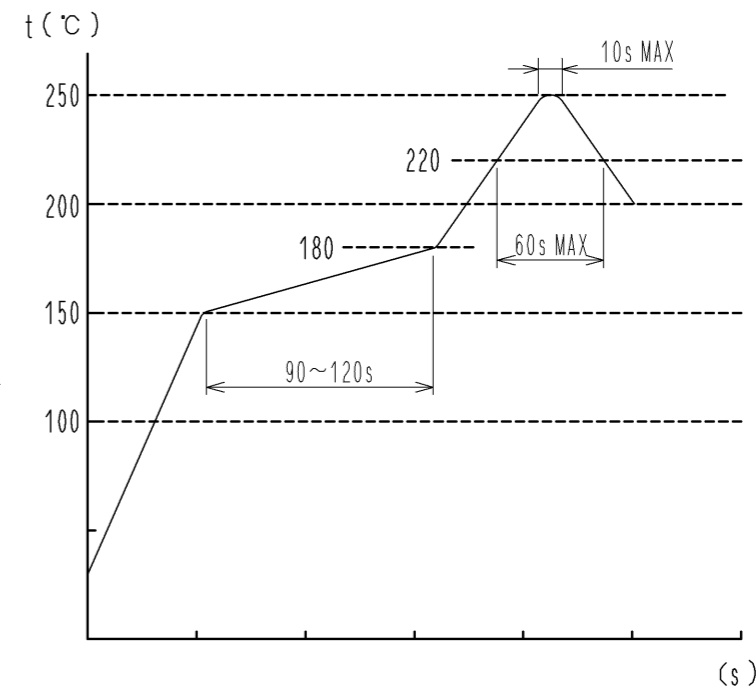
THICKNESS : 0.1mm  
 OPEN AREA RATIO:100%



MATING FIGURE (5 : 1)



REFLOW TEMPERATURE PROFILE USING LEAD-FREE SOLDER PASTE (REFERENCE)

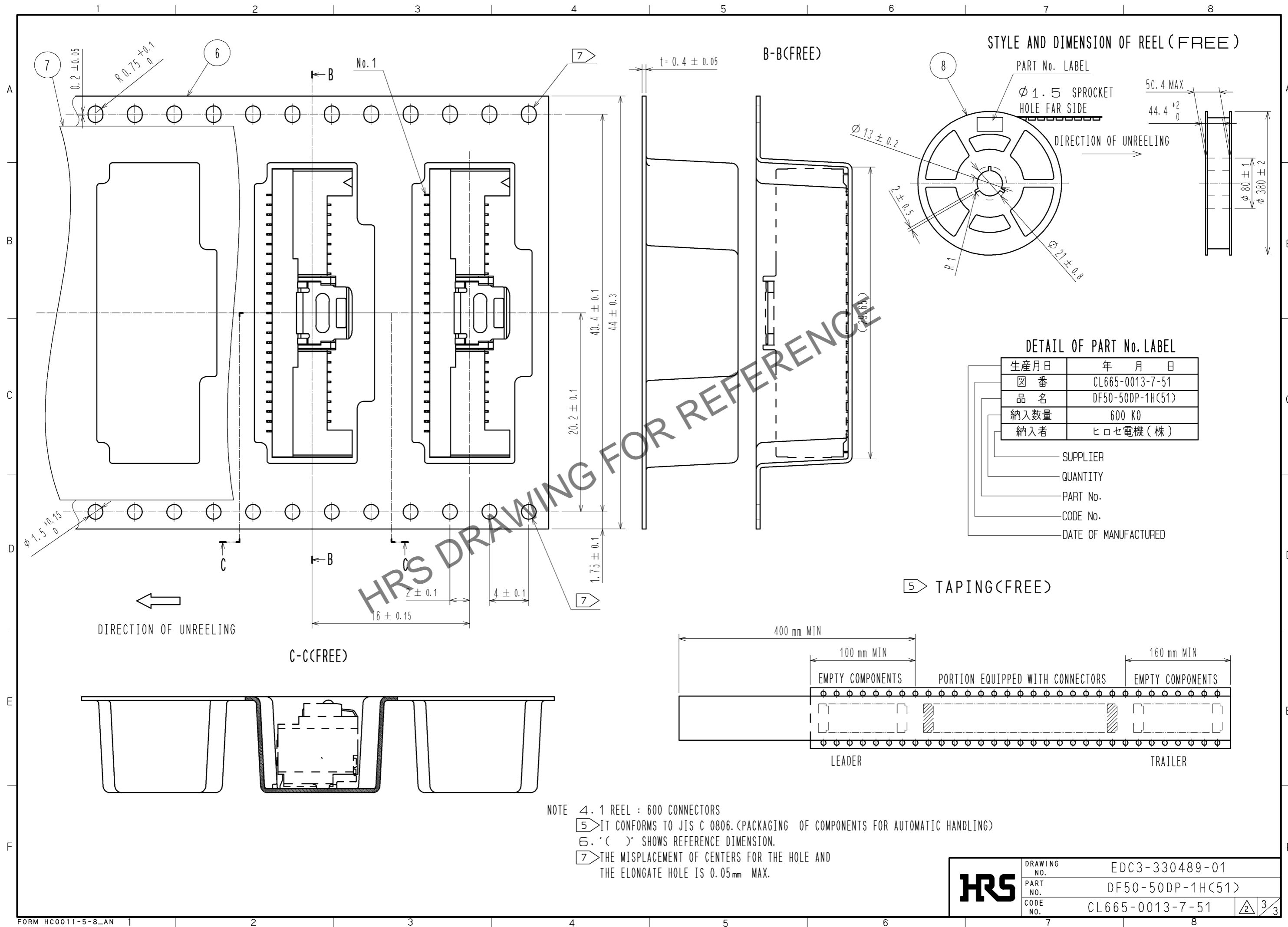


NUMBER OF REFLOW CYCLES: 2 CYCLES MAX.  
 THE TEMPERATURE OF THIS PROFILE IS MEASURED ON THE LEAD TERMINAL.

WE RECOMMEND PERFORMING AN EVALUATION UNDER THE MOUNTING CONDITIONS YOU WILL BE USING BECAUSE IT COULD BE AFFECTED BY ANY CONDITION:TYPE OF SOLDER PASTE, SIZE OF PCB, MOUNTING MATERIAL etc..

<b>HRS</b>	DRAWING NO.	EDC3-330489-01
	PART NO.	DF50-50DP-1H(51)
	CODE NO.	CL665-0013-7-51
		2/3

Aug.1.2024 Copyright 2024 HIROSE ELECTRIC CO., LTD. All Rights Reserved.  
In case of consideration for using Automotive equipment / device which demand high reliability, kindly contact our sales window correspondents.



<b>HRS</b>	DRAWING NO.	EDC3-330489-01
	PART NO.	DF50-50DP-1H(51)
	CODE NO.	CL665-0013-7-51
		$\frac{3}{3}$