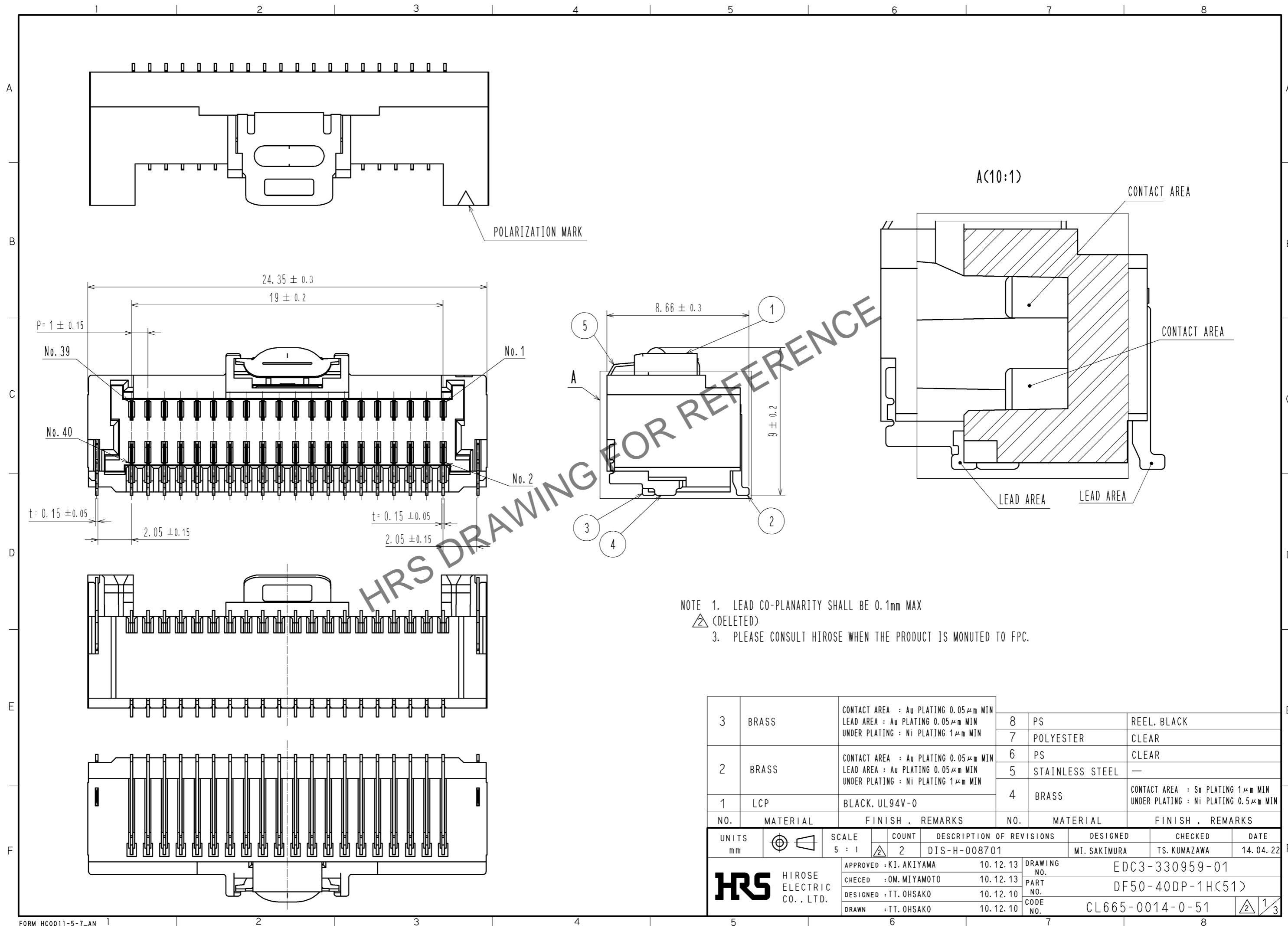


Aug.1.2024 Copyright 2024 HIROSE ELECTRIC CO., LTD. All Rights Reserved.
 In case of consideration for using Automotive equipment / device which demand high reliability, kindly contact our sales window correspondents.

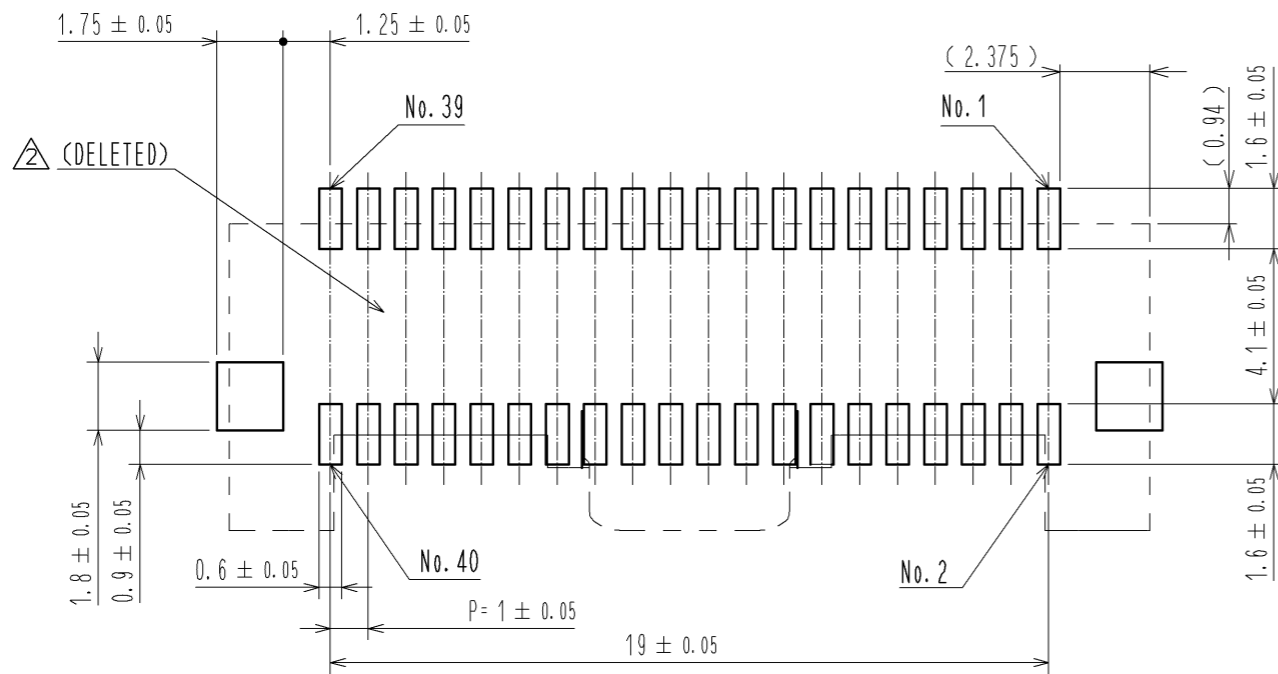


NOTE 1. LEAD CO-PLANARITY SHALL BE 0.1mm MAX
 2. (DELETED)
 3. PLEASE CONSULT HIROSE WHEN THE PRODUCT IS MONUTED TO FPC.

3	BRASS	CONTACT AREA : Au PLATING 0.05 μm MIN LEAD AREA : Au PLATING 0.05 μm MIN UNDER PLATING : Ni PLATING 1 μm MIN	8	PS	REEL, BLACK
2	BRASS	CONTACT AREA : Au PLATING 0.05 μm MIN LEAD AREA : Au PLATING 0.05 μm MIN UNDER PLATING : Ni PLATING 1 μm MIN	7	POLYESTER	CLEAR
1	LCP	BLACK, UL94V-0	6	PS	CLEAR
			5	STAINLESS STEEL	—
			4	BRASS	CONTACT AREA : Sn PLATING 1 μm MIN UNDER PLATING : Ni PLATING 0.5 μm MIN
NO.	MATERIAL	FINISH, REMARKS	NO.	MATERIAL	FINISH, REMARKS
UNITS mm		SCALE 5 : 1	COUNT 2	DESCRIPTION OF REVISIONS DIS-H-008701	
DESIGNED MI. SAKIMURA		CHECKED TS. KUMAZAWA		DATE 14. 04. 22	
APPROVED : KI. AKIYAMA		10. 12. 13		DRAWING NO. EDC3-330959-01	
CHECED : OM. MIYAMOTO		10. 12. 13		PART NO. DF50-40DP-1H(51)	
DESIGNED : TT. OHSAKO		10. 12. 10		CODE NO. CL665-0014-0-51	
DRAWN : TT. OHSAKO		10. 12. 10			

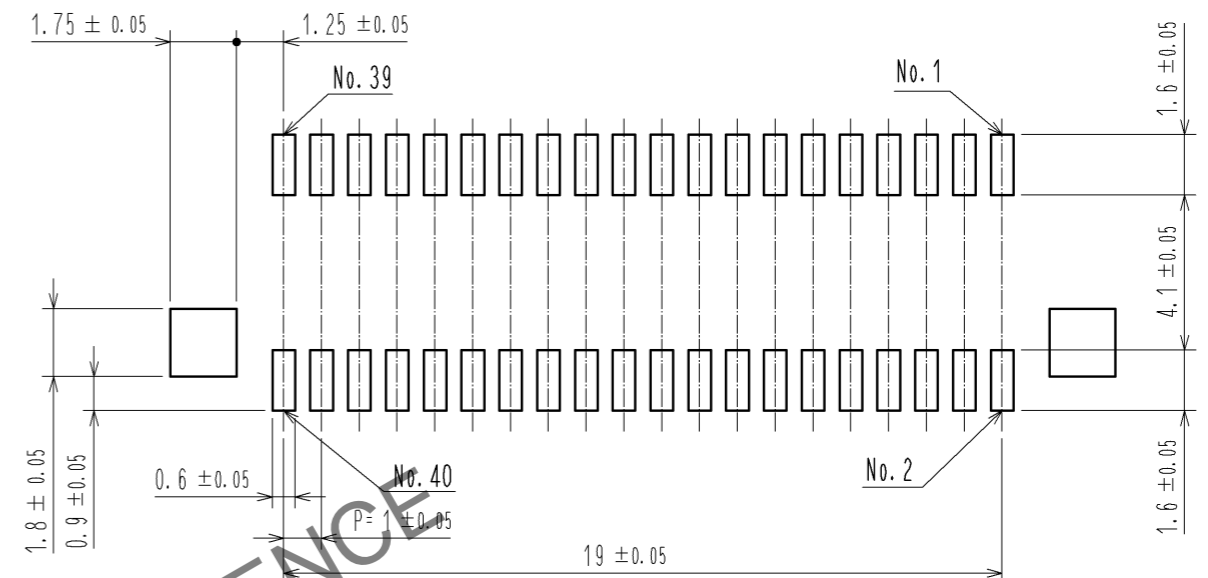
Aug.1.2024 Copyright 2024 HIROSE ELECTRIC CO., LTD. All Rights Reserved.
 In case of consideration for using Automotive equipment / device which demand high reliability, kindly contact our sales window correspondents.

RECOMMENDED PCB LAYOUT
 (MOUNTING SURFACE SIDE) (FREE)



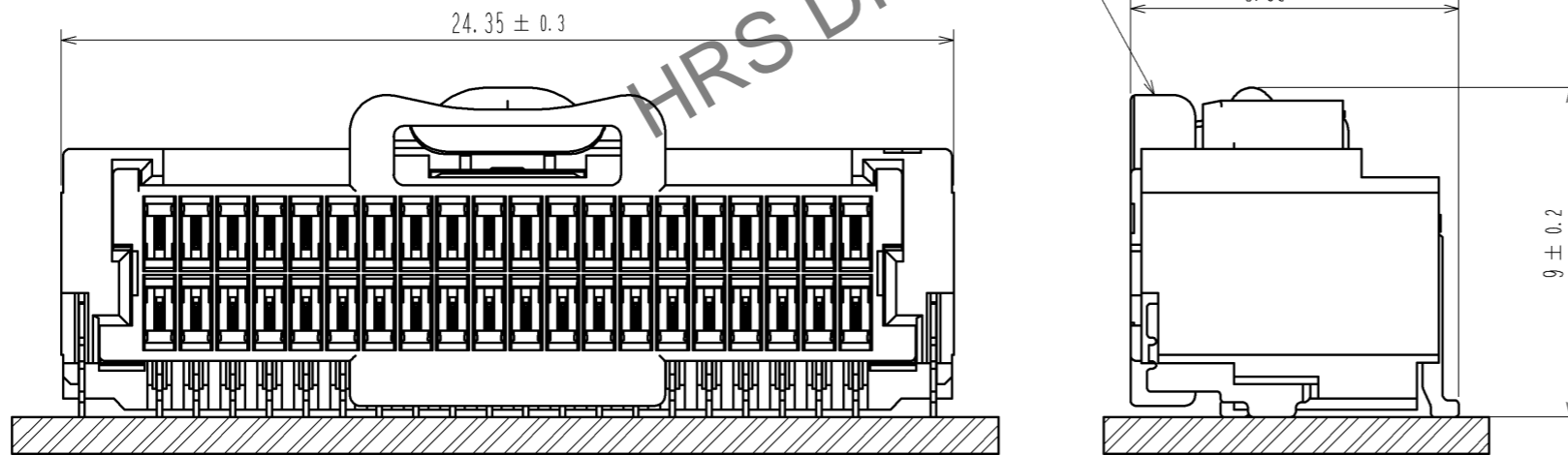
RECOMMENDED METAL MASK (FREE)

THICKNESS : 0.1mm
 OPEN AREA RATIO:100%

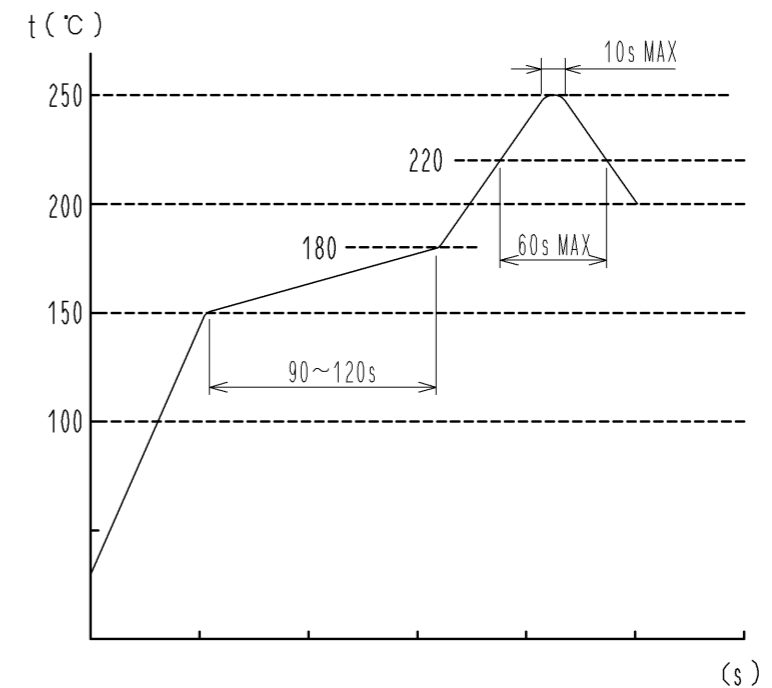


MATING FIGURE (5 : 1)

DF50S-40DS-1C



REFLOW TEMPERATURE PROFILE USING LEAD-FREE SOLDER PASTE (REFERENCE)

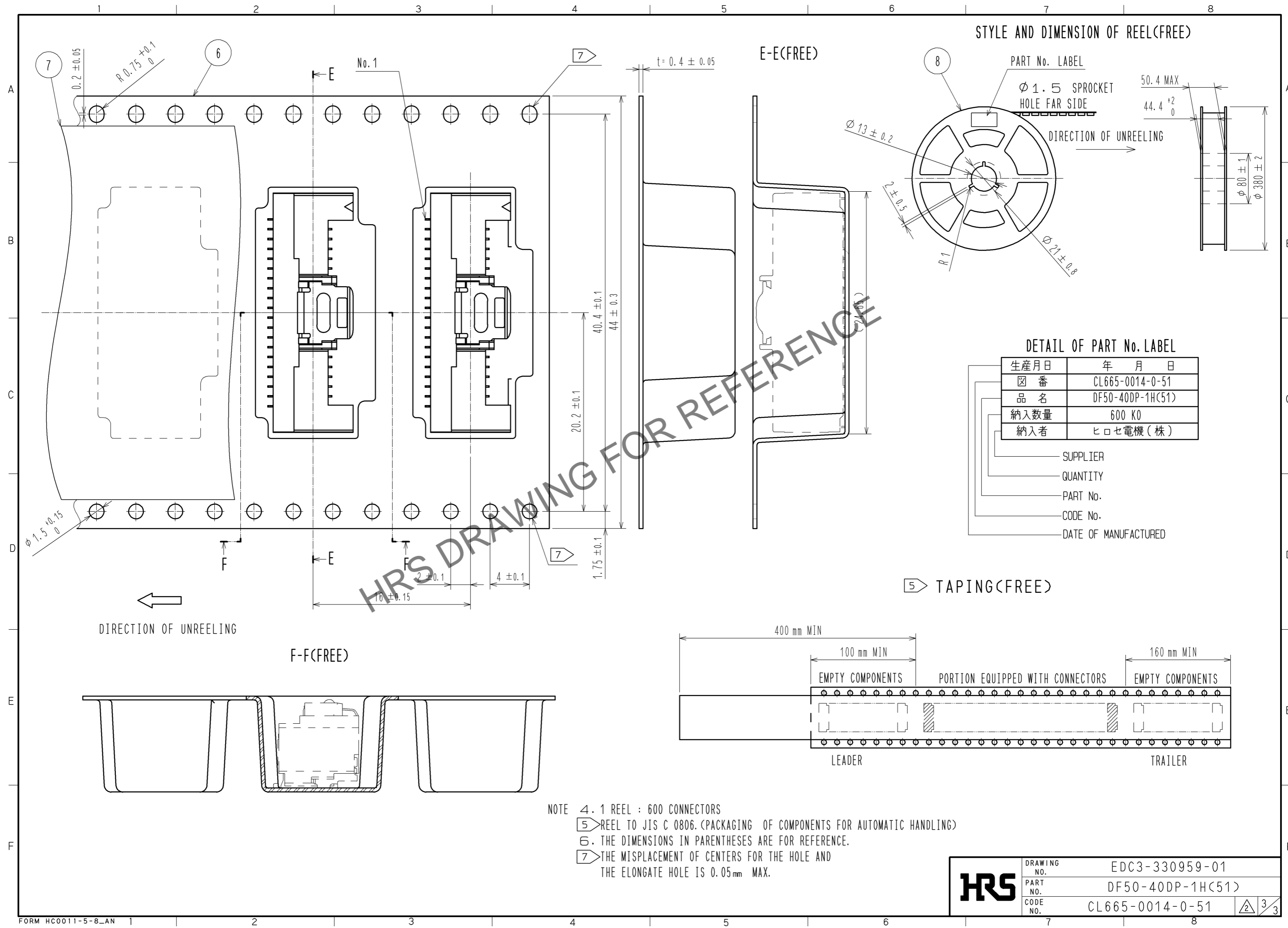


NUMBER OF REFLOW CYCLES 2 CYCLES MAX.
 THE TEMPERATURE IS MEASURED IN THE TERMINAL LEAD PART.

ADDITIONAL FACTORS, SUCH AS SOLDER PASTE TYPE,
 PCB SIZE AND OTHER MOUNTED COMPONENTS COULD AFFECT
 THE PROFILE. THEREFORE, A THOROUGH EVALUATION OF
 MOUNTING CONDITION IS REQUIRED PRIOR TO PRODUCTION.
 TEMPERATURE IS MEASURED AT CONTACT LEAD.

HRS	DRAWING NO.	EDC3-330959-01
	PART NO.	DF50-40DP-1H(51)
	CODE NO.	CL665-0014-0-51
		2/3

Aug.1.2024 Copyright 2024 HIROSE ELECTRIC CO., LTD. All Rights Reserved.
 In case of consideration for using Automotive equipment / device which demand high reliability, kindly contact our sales window correspondents.



HRS	DRAWING NO.	EDC3-330959-01
	PART NO.	DF50-40DP-1H(51)
	CODE NO.	CL665-0014-0-51
		$\frac{3}{3}$