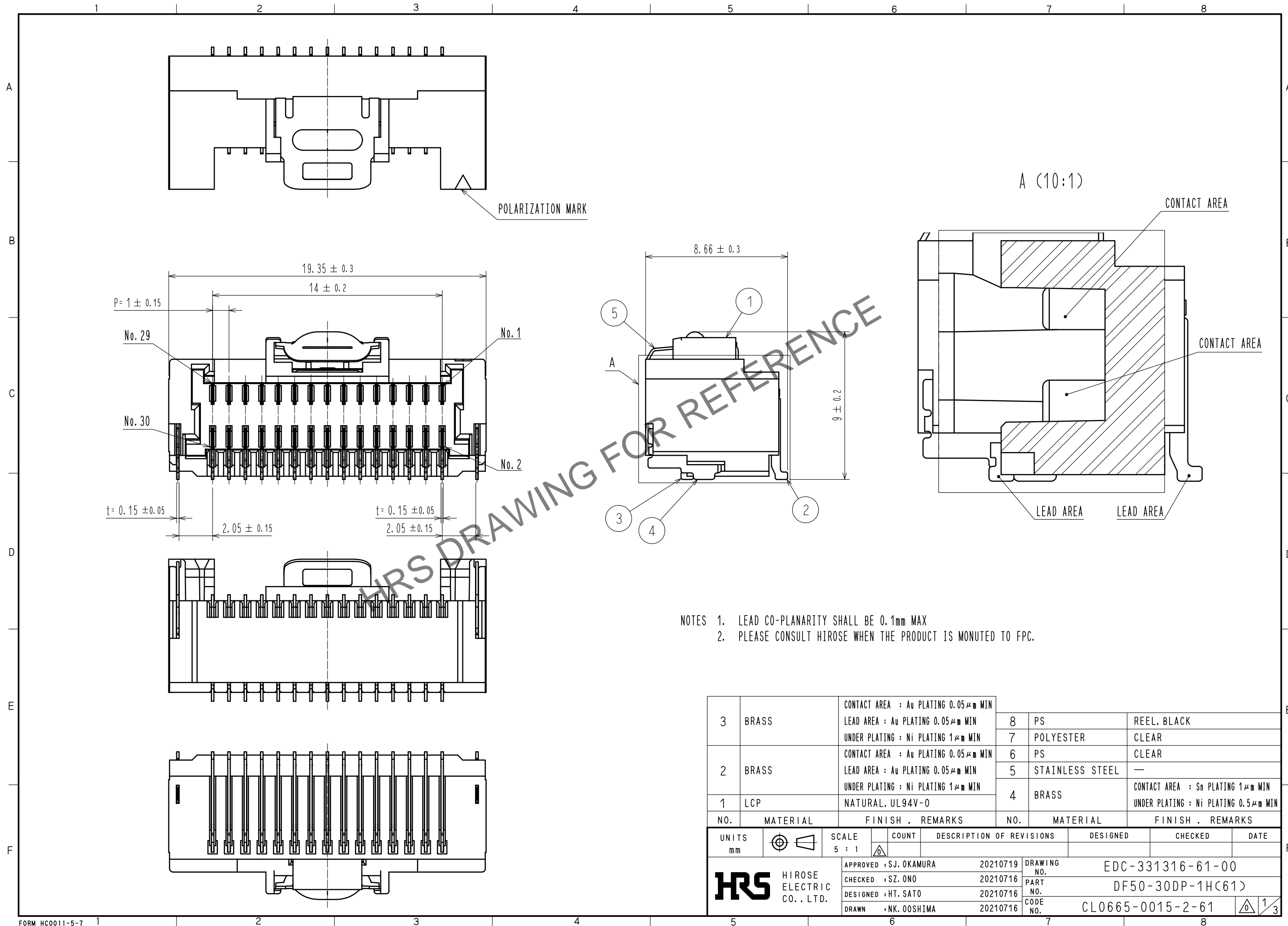


Aug.1.2024 Copyright 2024 HIROSE ELECTRIC CO., LTD. All Rights Reserved.  
In case of consideration for using Automotive equipment / device which demand high reliability, kindly contact our sales window correspondents.



- NOTES
1. LEAD CO-PLANARITY SHALL BE 0.1mm MAX
  2. PLEASE CONSULT HIROSE WHEN THE PRODUCT IS MONUTED TO FPC.

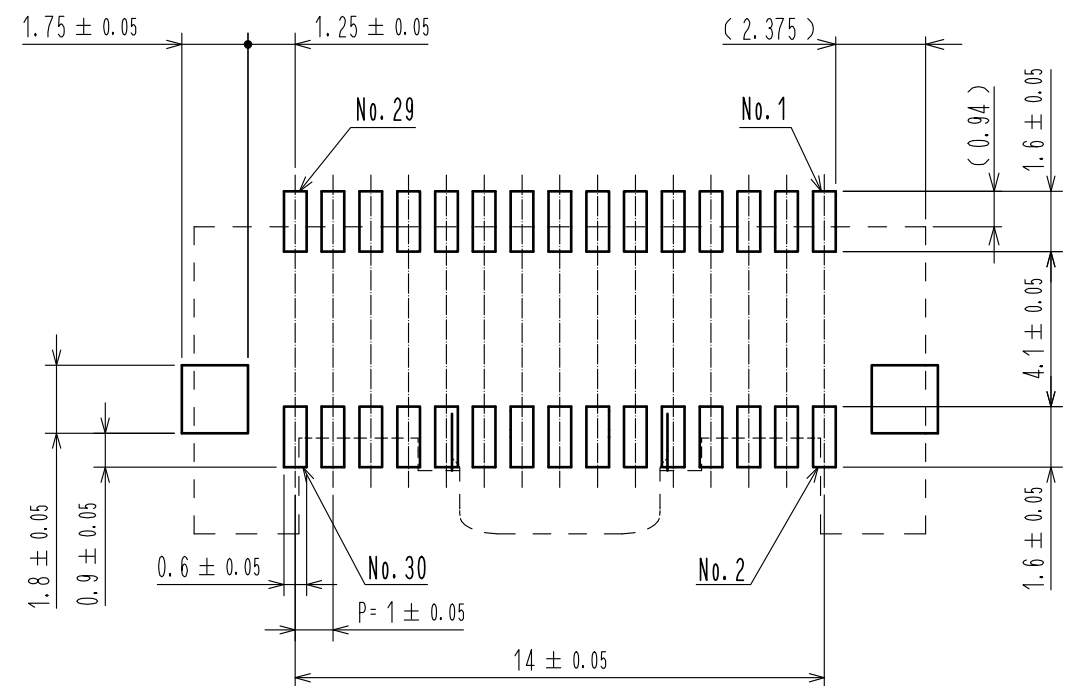
NO.	MATERIAL	FINISH . REMARKS	NO.	MATERIAL	FINISH . REMARKS
3	BRASS	CONTACT AREA : Au PLATING 0.05 μm MIN LEAD AREA : Au PLATING 0.05 μm MIN UNDER PLATING : Ni PLATING 1 μm MIN	8	PS	REEL, BLACK
2	BRASS	CONTACT AREA : Au PLATING 0.05 μm MIN LEAD AREA : Au PLATING 0.05 μm MIN UNDER PLATING : Ni PLATING 1 μm MIN	7	POLYESTER	CLEAR
1	LCP	NATURAL, UL94V-0	6	PS	CLEAR
			5	STAINLESS STEEL	—
			4	BRASS	CONTACT AREA : Sn PLATING 1 μm MIN UNDER PLATING : Ni PLATING 0.5 μm MIN

UNITS	SCALE	COUNT	DESCRIPTION OF REVISIONS	DESIGNED	CHECKED	DATE
mm	5 : 1	△				
HIROSE ELECTRIC CO., LTD.			APPROVED : SJ. OKAMURA 20210719	DRAWING NO. EDC-331316-61-00		
			CHECKED : SZ. ONO 20210716	PART NO. DF50-30DP-1H(61)		
			DESIGNED : HT. SATO 20210716	CODE NO. CL0665-0015-2-61		
			DRAWN : NK. OOSHIMA 20210716	1/3		

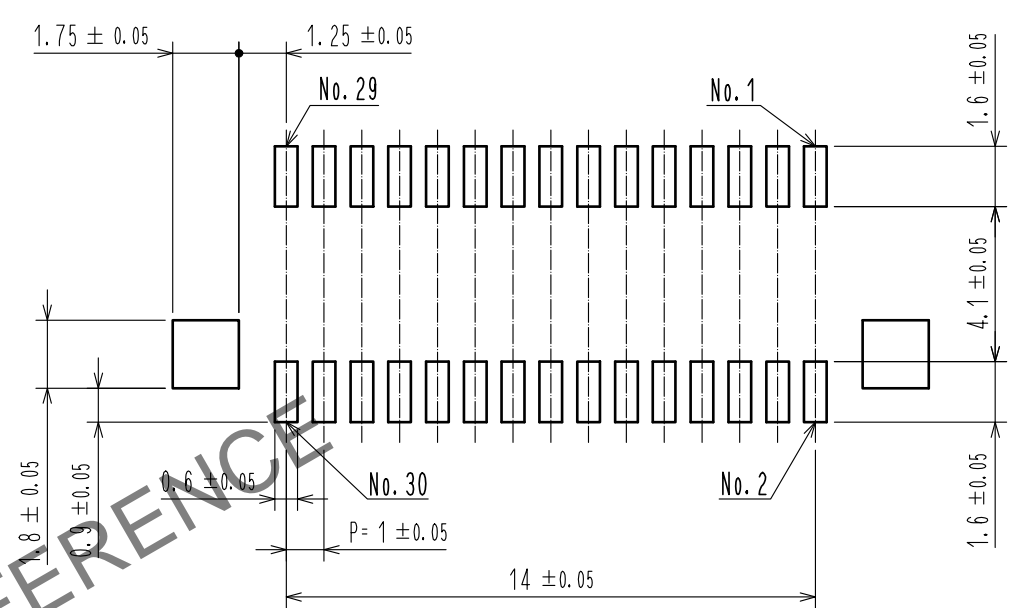
Aug.1.2024 Copyright 2024 HIROSE ELECTRIC CO., LTD. All Rights Reserved.  
 In case of consideration for using Automotive equipment / device which demand high reliability, kindly contact our sales window correspondents.

RECOMMENDED PCB LAYOUT  
 (MOUNTING SURFACE SIDE) (FREE)

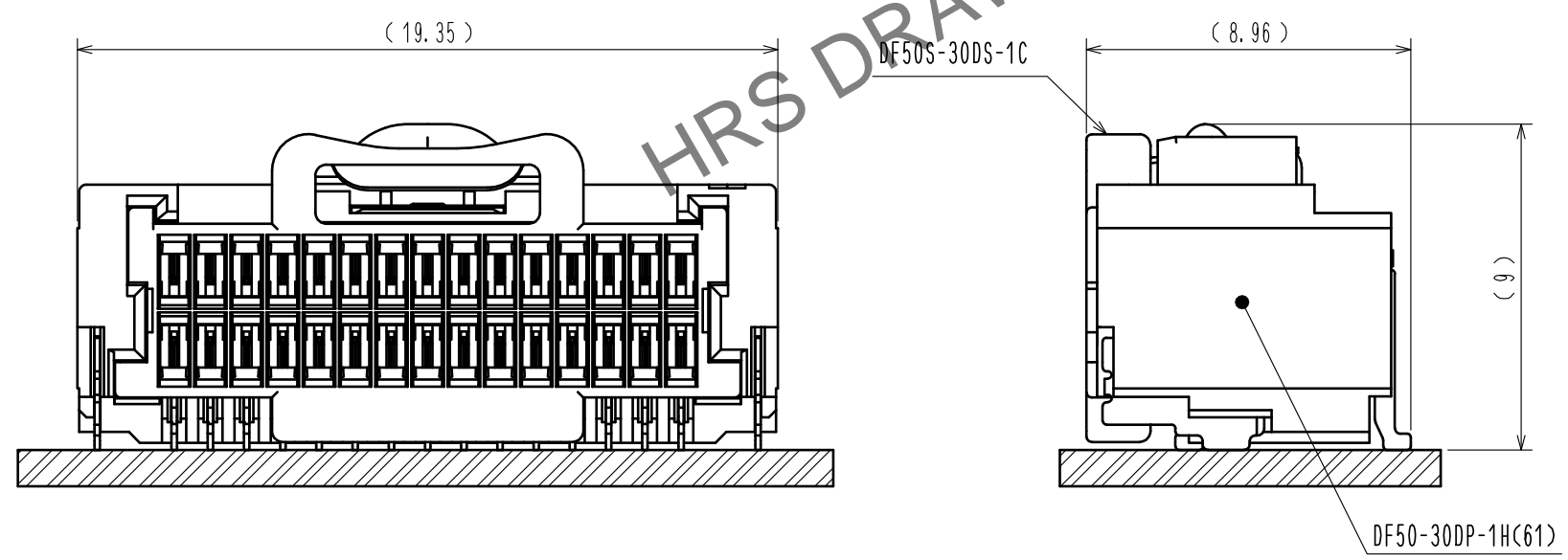


RECOMMENDED METAL MASK (FREE)

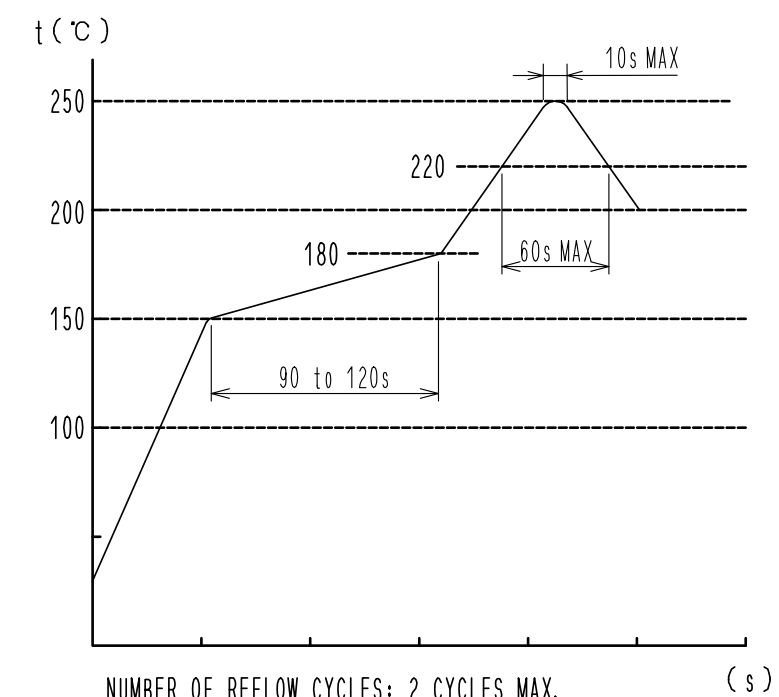
THICKNESS : 0.1mm  
 OPEN AREA RATIO : 100%



MATING FIGURE (5:1)



REFLOW TEMPERATURE PROFILE USING LEAD-FREE SOLDER PASTE (REFERENCE)

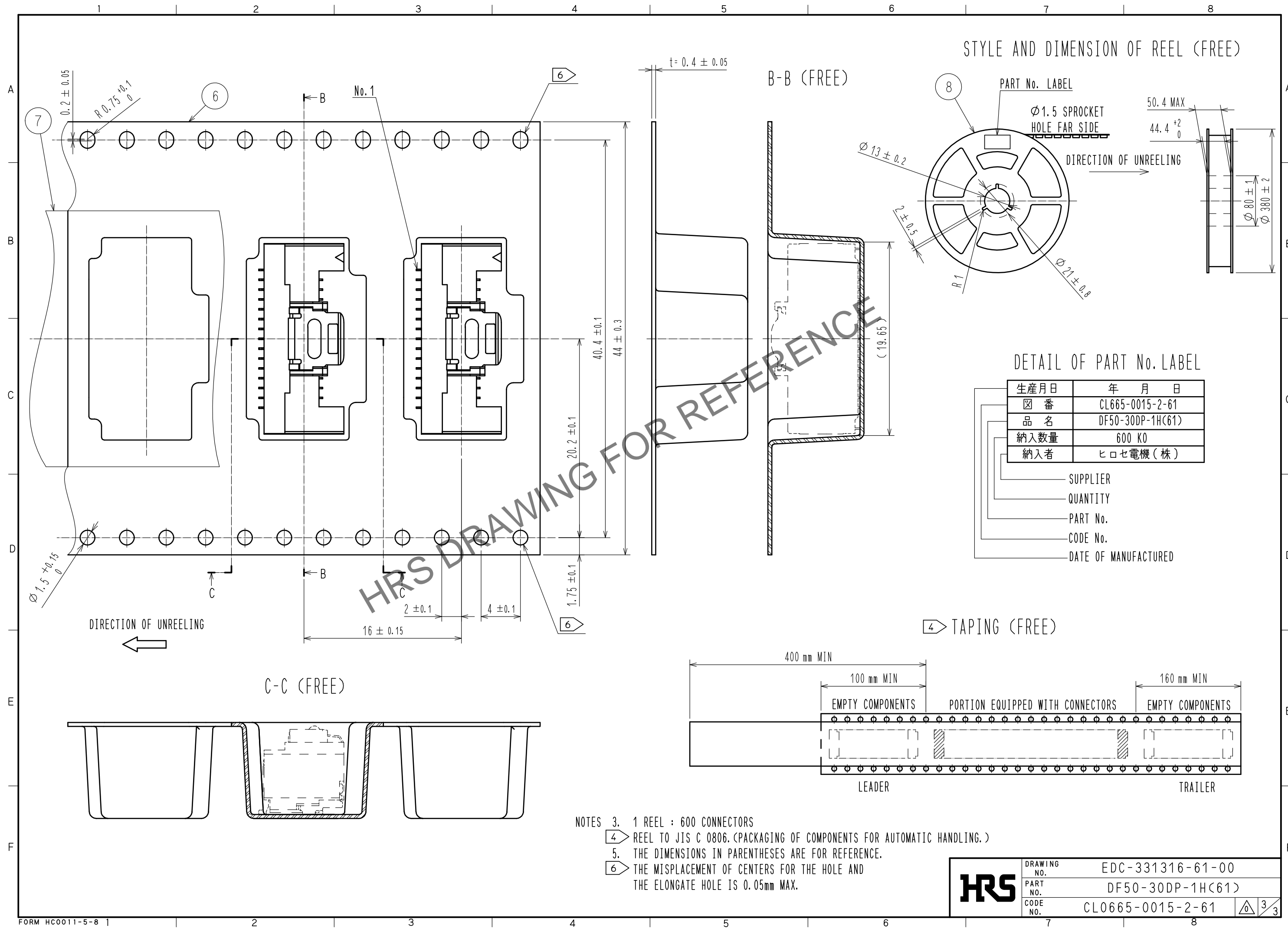


NUMBER OF REFLOW CYCLES: 2 CYCLES MAX.  
 THE TEMPERATURE IS MEASURED IN THE TERMINAL LEAD PART.

ADDITIONAL FACTORS, SUCH AS SOLDER PASTE TYPE,  
 PCB SIZE AND OTHER MOUNTED COMPONENTS COULD AFFECT  
 THE PROFILE, THEREFORE, A THOROUGH EVALUATION OF  
 MOUNTING CONDITION IS REQUIRED PRIOR TO PRODUCTION.  
 TEMPERATURE IS MEASURED AT CONTACT LEAD.

<b>HRS</b>	DRAWING NO.	EDC-331316-61-00
	PART NO.	DF50-30DP-1H(61)
	CODE NO.	CL0665-0015-2-61

Aug.1.2024 Copyright 2024 HIROSE ELECTRIC CO., LTD. All Rights Reserved.  
 In case of consideration for using Automotive equipment / device which demand high reliability, kindly contact our sales window correspondents.



STYLE AND DIMENSION OF REEL (FREE)

DETAIL OF PART No. LABEL

生産月日	年 月 日
図 番	CL665-0015-2-61
品 名	DF50-30DP-1H(61)
納入数量	600 K0
納入者	ヒロセ電機(株)

- SUPPLIER
- QUANTITY
- PART No.
- CODE No.
- DATE OF MANUFACTURED

- NOTES
- 1 REEL : 600 CONNECTORS
  - REEL TO JIS C 0806. (PACKAGING OF COMPONENTS FOR AUTOMATIC HANDLING.)
  - THE DIMENSIONS IN PARENTHESES ARE FOR REFERENCE.
  - THE MISPLACEMENT OF CENTERS FOR THE HOLE AND THE ELONGATE HOLE IS 0.05mm MAX.

<b>HRS</b>	DRAWING NO.	EDC-331316-61-00
	PART NO.	DF50-30DP-1H(61)
	CODE NO.	CL0665-0015-2-61
		$\triangle$ 3/3