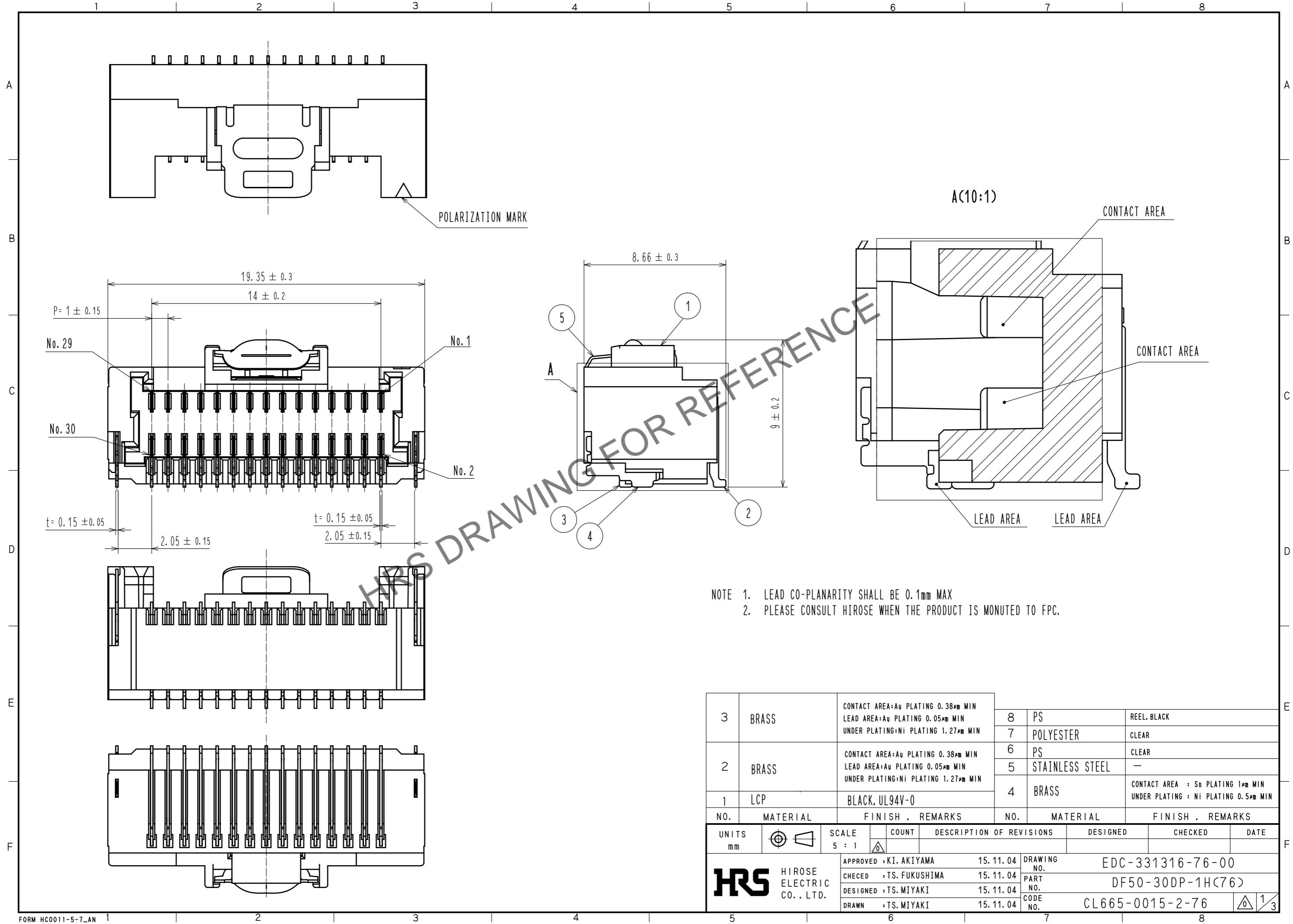


Aug.1.2024 Copyright 2024 HIROSE ELECTRIC CO., LTD. All Rights Reserved.
 In case of consideration for using Automotive equipment / device which demand high reliability, kindly contact our sales window correspondents.



NOTE 1. LEAD CO-PLANARITY SHALL BE 0.1mm MAX
 2. PLEASE CONSULT HIROSE WHEN THE PRODUCT IS MOUNTED TO FPC.

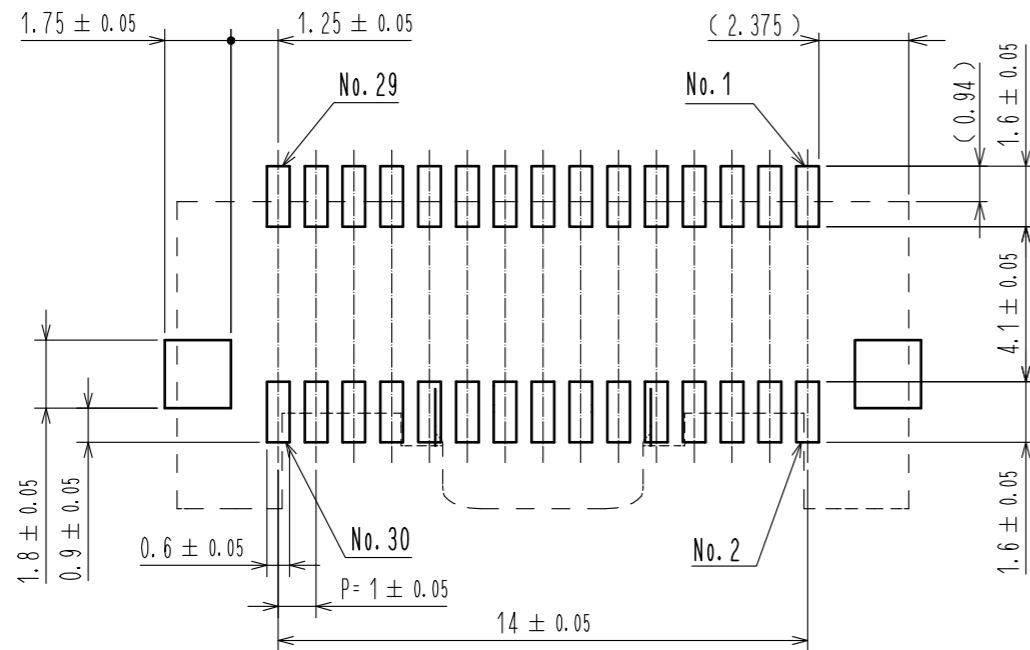
NO.	MATERIAL	FINISH . REMARKS	NO.	MATERIAL	FINISH . REMARKS
3	BRASS	CONTACT AREA: Au PLATING 0.38µm MIN LEAD AREA: Au PLATING 0.05µm MIN UNDER PLATING: Ni PLATING 1.27µm MIN	8	PS	REEL BLACK
2	BRASS	CONTACT AREA: Au PLATING 0.38µm MIN LEAD AREA: Au PLATING 0.05µm MIN UNDER PLATING: Ni PLATING 1.27µm MIN	7	POLYESTER	CLEAR
1	LCP	BLACK, UL94V-0	6	PS	CLEAR
			5	STAINLESS STEEL	—
			4	BRASS	CONTACT AREA : Sn PLATING 1µm MIN UNDER PLATING : Ni PLATING 0.5µm MIN

UNITS	SCALE	COUNT	DESCRIPTION OF REVISIONS	DESIGNED	CHECKED	DATE
mm	5 : 1	△	APPROVED : KI. AKIYAMA 15.11.04			
			CHECED : TS. FUKUSHIMA 15.11.04			
			DESIGNED : TS. MIYAKI 15.11.04			
			DRAWN : TS. MIYAKI 15.11.04			

DRAWING NO.	PART NO.	CODE NO.
EDC-331316-76-00	DF50-30DP-1H(76)	CL665-0015-2-76

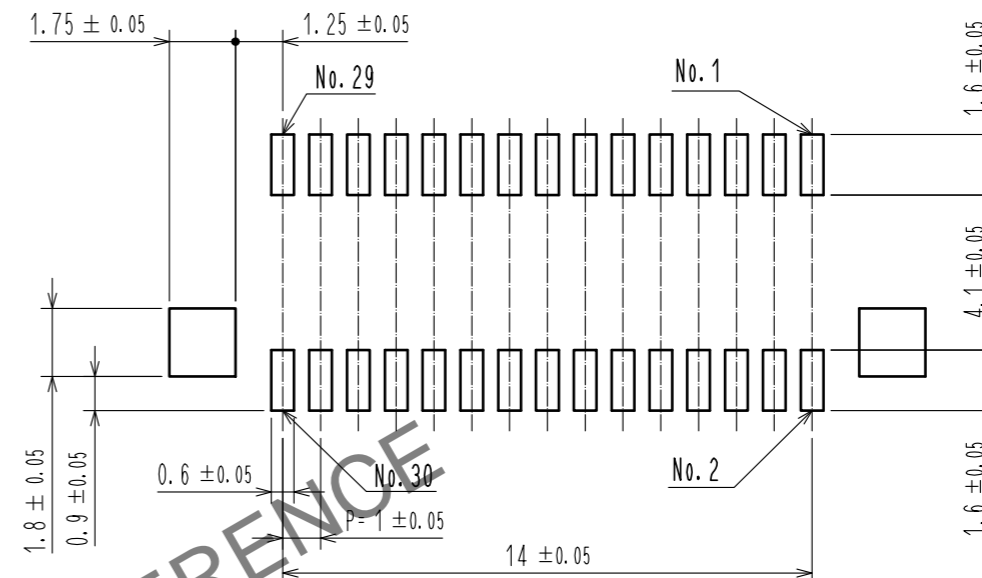
Aug.1.2024 Copyright 2024 HIROSE ELECTRIC CO., LTD. All Rights Reserved.
 In case of consideration for using Automotive equipment / device which demand high reliability, kindly contact our sales window correspondents.

RECOMMENDED PCB LAYOUT
 (MOUNTING SURFACE SIDE) (FREE)

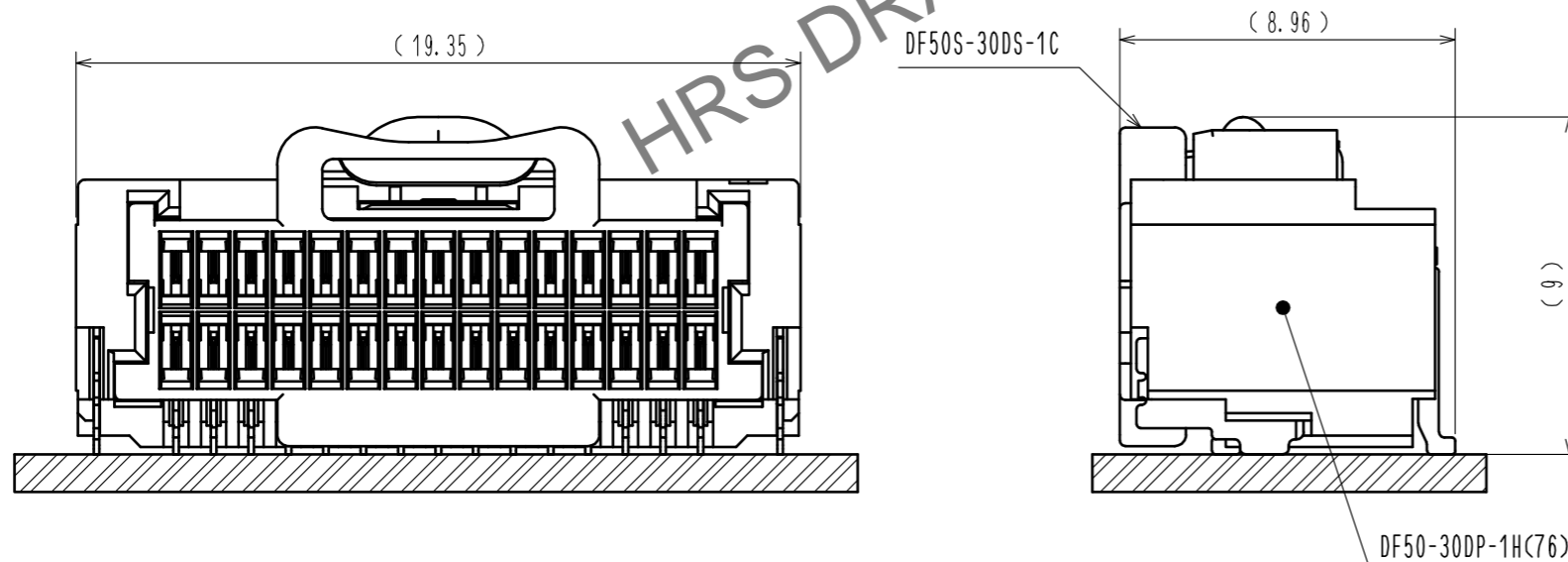


RECOMMENDED METAL MASK (FREE)

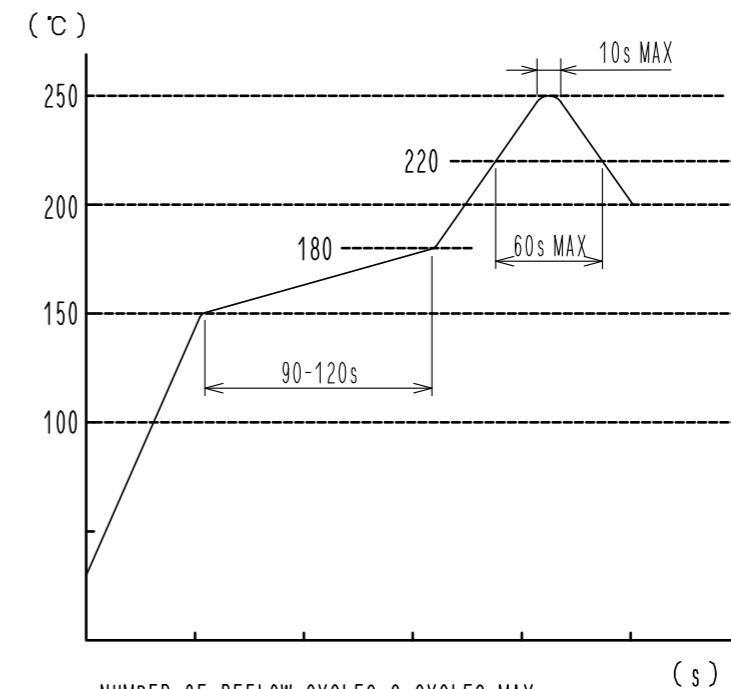
THICKNESS : 0.1mm
 OPEN AREA RATIO:100%



MATING FIGURE (5 : 1)



REFLOW TEMPERATURE PROFILE USING LEAD-FREE SOLDER PASTE (REFERENCE)

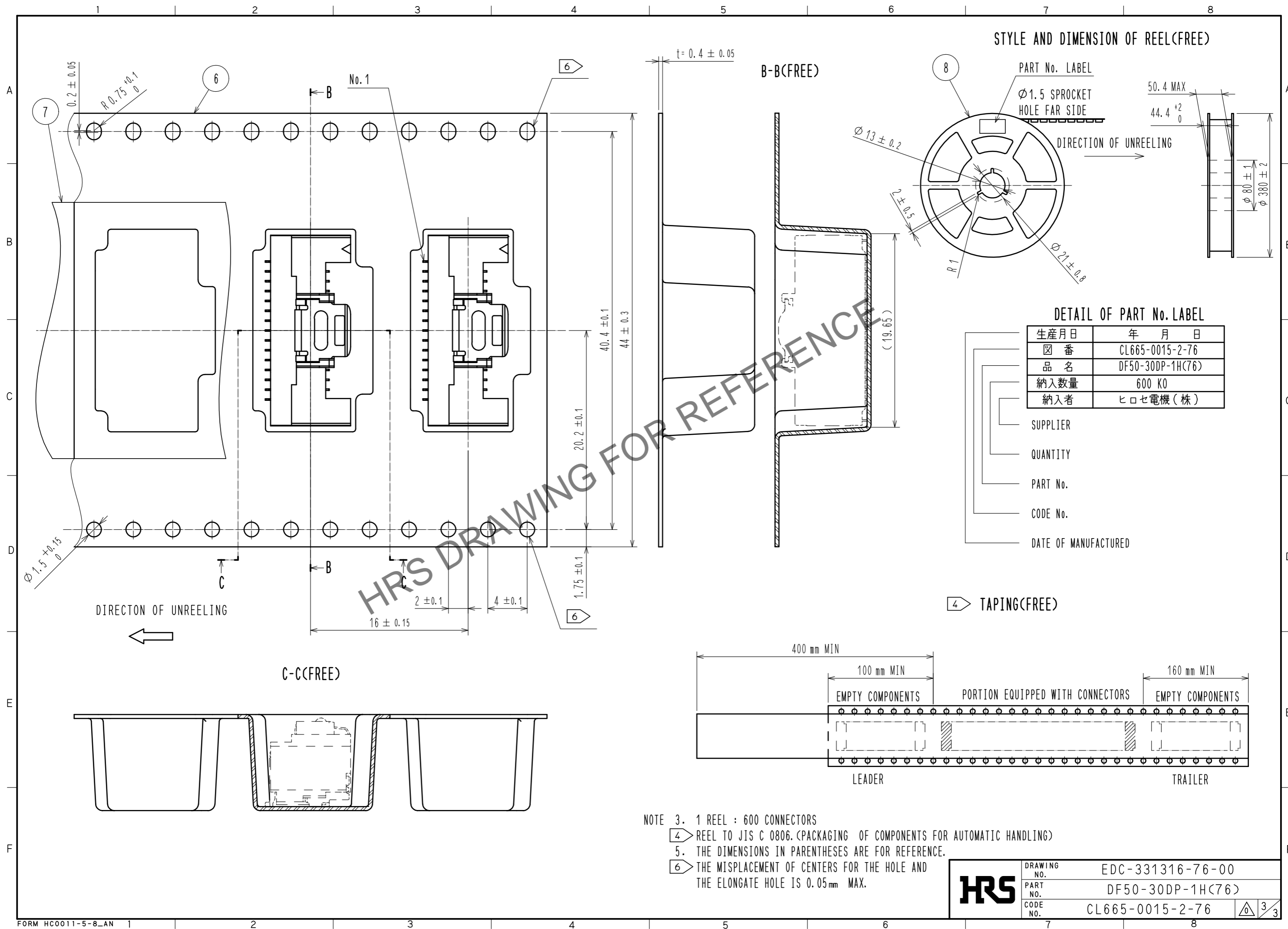


NUMBER OF REFLOW CYCLES 2 CYCLES MAX.
 THE TEMPERATURE IS MEASURED IN THE TERMINAL LEAD PART.

ADDITIONAL FACTORS, SUCH AS SOLDER PASTE TYPE,
 PCB SIZE AND OTHER MOUNTED COMPONENTS COULD AFFECT
 THE PROFILE. THEREFORE, A THOROUGH EVALUATION OF
 MOUNTING CONDITION IS REQUIRED PRIOR TO PRODUCTION.
 TEMPERATURE IS MEASURED AT CONTACT LEAD.

HRS	DRAWING NO.	EDC-331316-76-00
	PART NO.	DF50-30DP-1H(76)
	CODE NO.	CL665-0015-2-76
		2/3

Aug.1.2024 Copyright 2024 HIROSE ELECTRIC CO., LTD. All Rights Reserved.
 In case of consideration for using Automotive equipment / device which demand high reliability, kindly contact our sales window correspondents.



HRS	DRAWING NO.	EDC-331316-76-00
	PART NO.	DF50-30DP-1H(76)
	CODE NO.	CL665-0015-2-76
		3/3