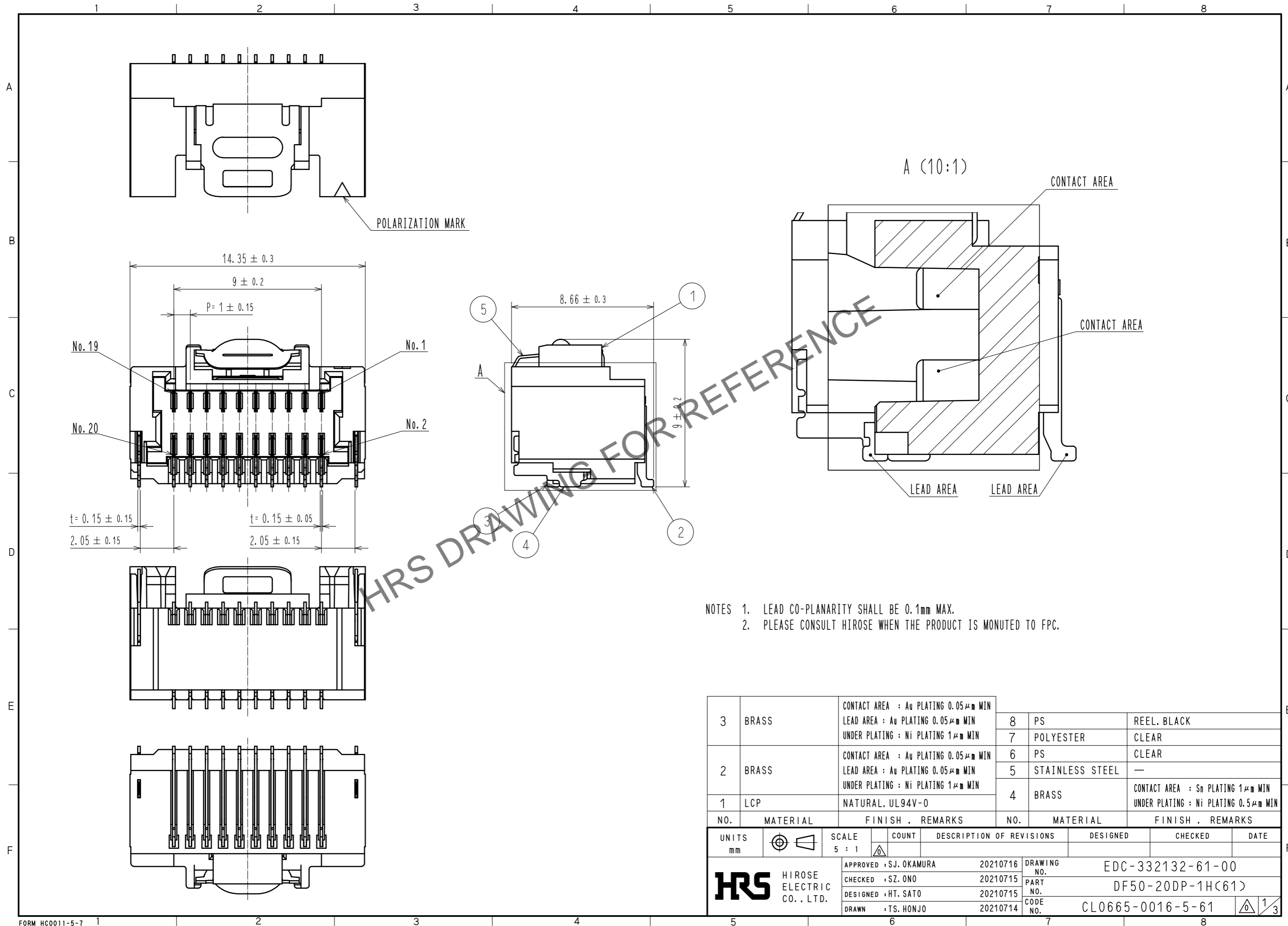


Aug.1.2024 Copyright 2024 HIROSE ELECTRIC CO., LTD. All Rights Reserved.  
 In case of consideration for using Automotive equipment / device which demand high reliability, kindly contact our sales window correspondents.



NOTES 1. LEAD CO-PLANARITY SHALL BE 0.1mm MAX.  
 2. PLEASE CONSULT HIROSE WHEN THE PRODUCT IS MONUTED TO FPC.

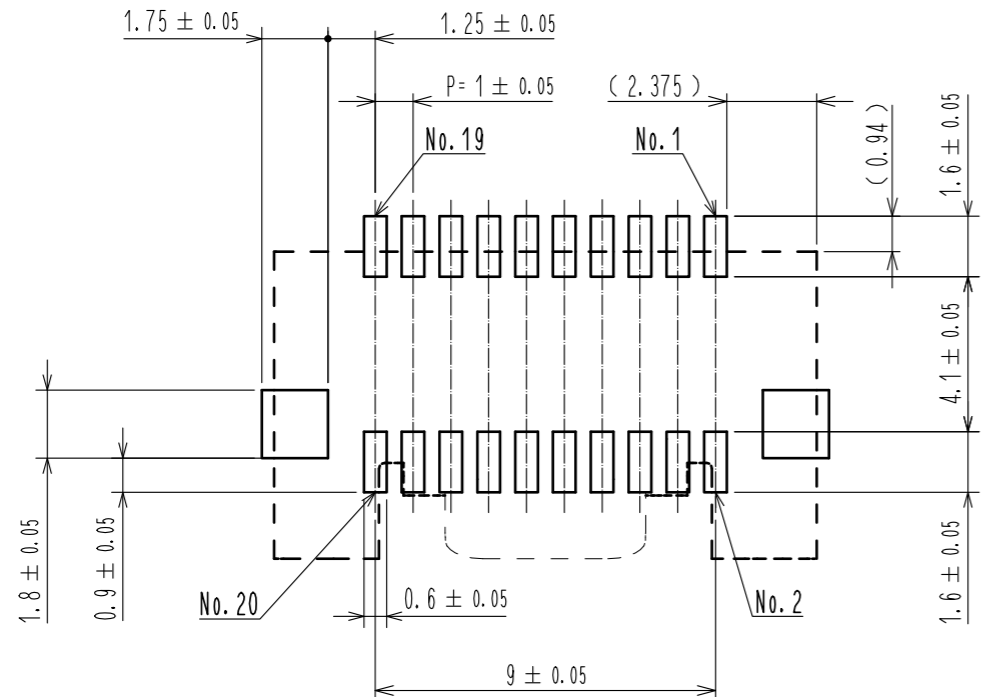
NO.	MATERIAL	FINISH . REMARKS	NO.	MATERIAL	FINISH . REMARKS
3	BRASS	CONTACT AREA : Au PLATING 0.05μm MIN LEAD AREA : Au PLATING 0.05μm MIN UNDER PLATING : Ni PLATING 1μm MIN	8	PS	REEL, BLACK
2	BRASS	CONTACT AREA : Au PLATING 0.05μm MIN LEAD AREA : Au PLATING 0.05μm MIN UNDER PLATING : Ni PLATING 1μm MIN	7	POLYESTER	CLEAR
			6	PS	CLEAR
1	LCP	NATURAL, UL94V-0	5	STAINLESS STEEL	—
			4	BRASS	CONTACT AREA : Sn PLATING 1μm MIN UNDER PLATING : Ni PLATING 0.5μm MIN

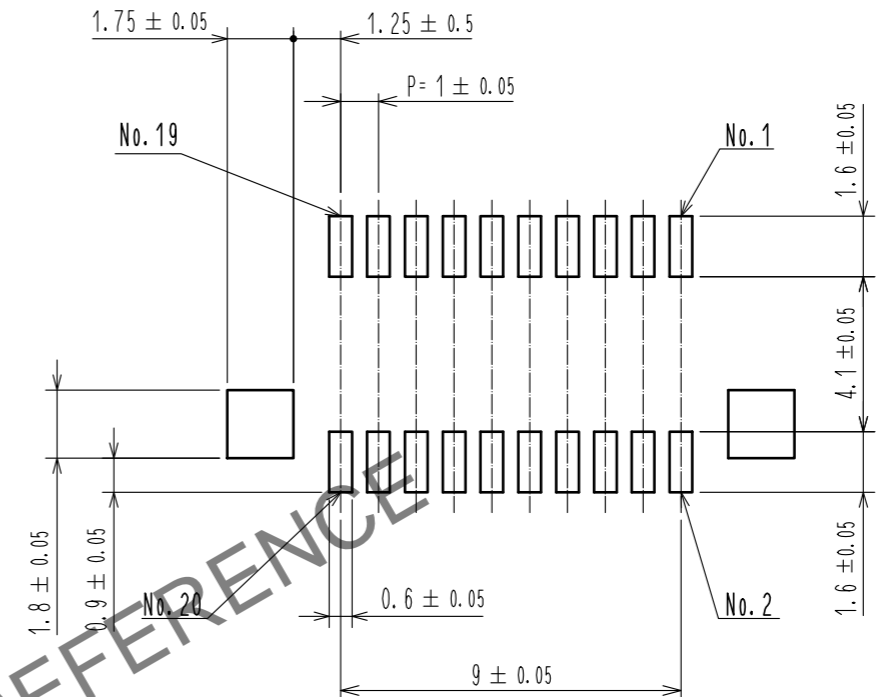
UNITS	SCALE	COUNT	DESCRIPTION OF REVISIONS	DESIGNED	CHECKED	DATE
mm	5 : 1	△				
APPROVED : SJ. OKAMURA			20210716	DRAWING NO. EDC-332132-61-00		
CHECKED : SZ. ONO			20210715	PART NO. DF50-20DP-1H(61)		
DESIGNED : HT. SATO			20210715	CODE NO. CL0665-0016-5-61		
DRAWN : TS. HONJO			20210714	1/3		

Aug.1.2024 Copyright 2024 HIROSE ELECTRIC CO., LTD. All Rights Reserved.  
In case of consideration for using Automotive equipment / device which demand high reliability, kindly contact our sales window correspondents.

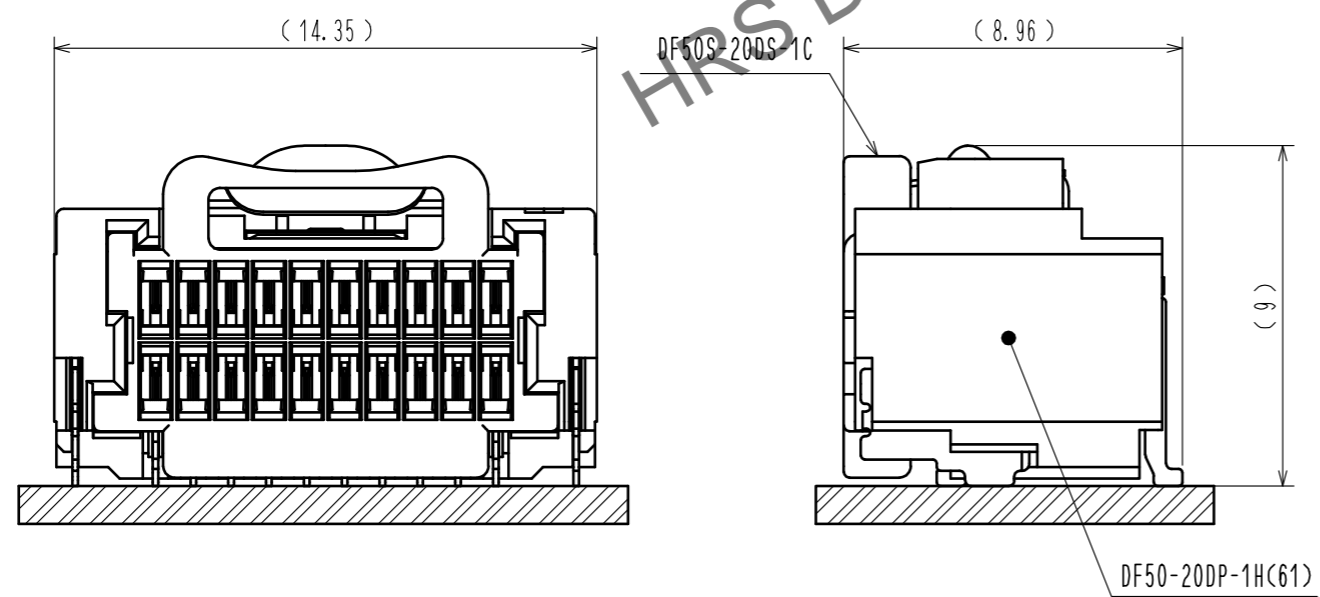
RECOMMENDED PCB LAYOUT  
(MOUNTING SURFACE SIDE) (FREE)



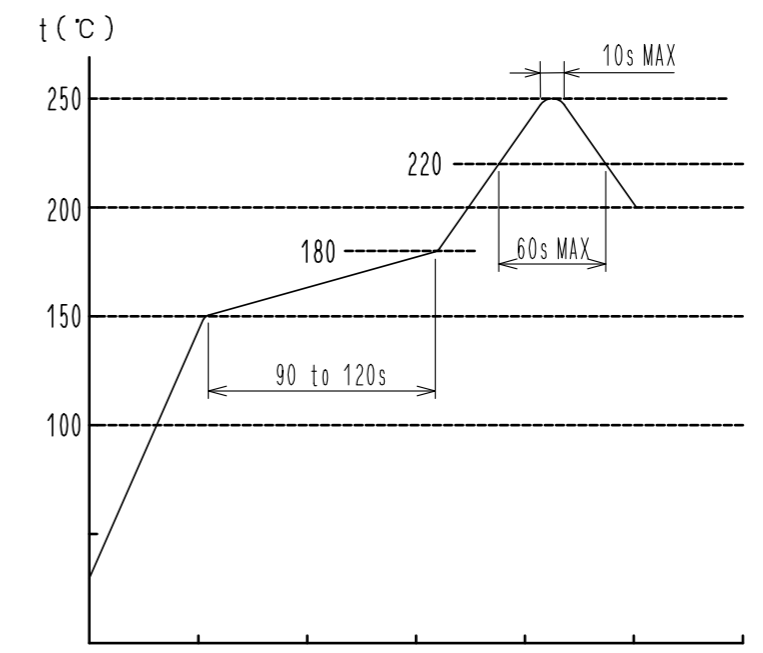
RECOMMENDED METAL MASK (FREE)  
THICKNESS : 0.1mm  
OPEN AREA RATIO:100%



MATING FIGURE (5:1)



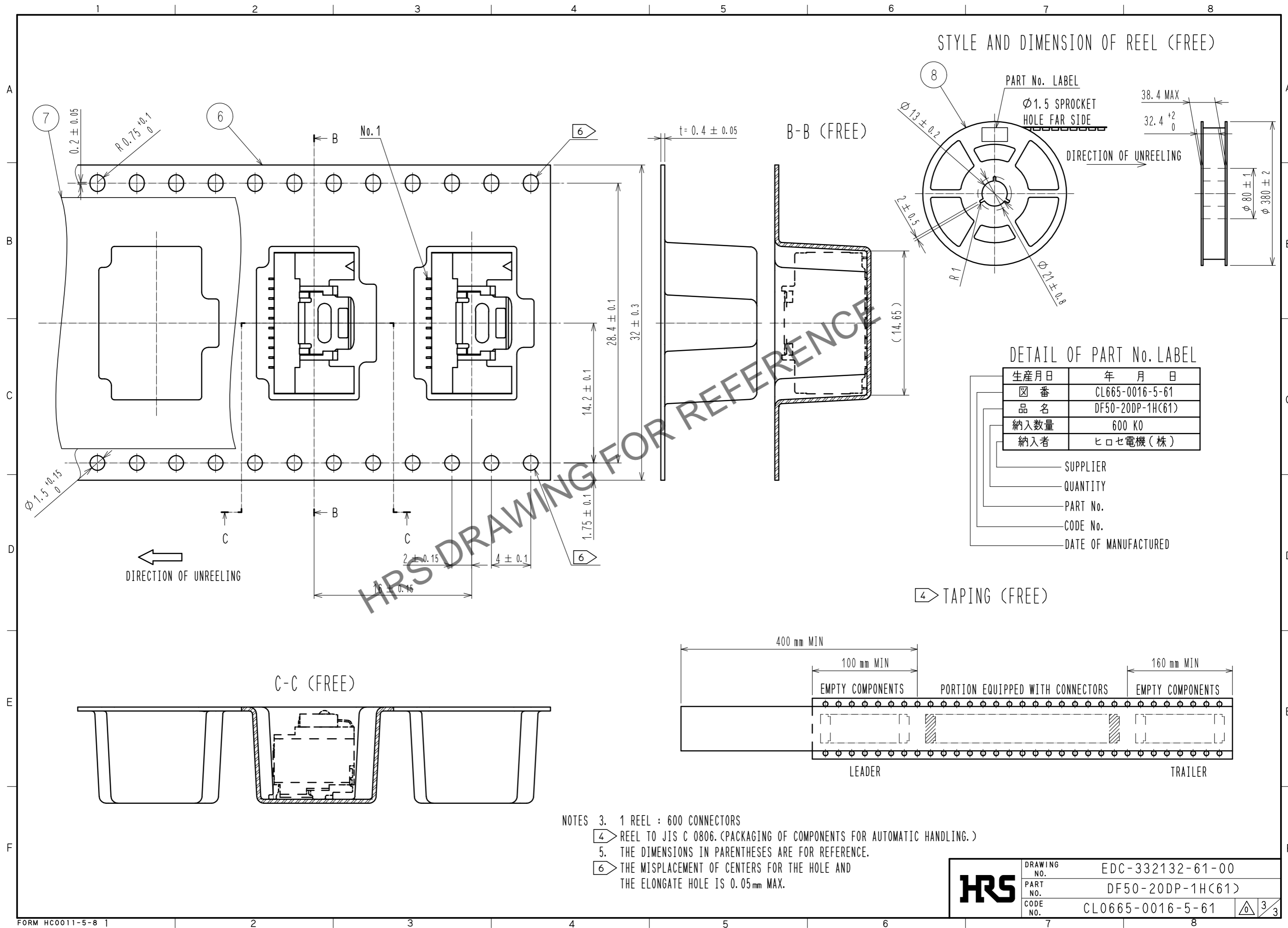
REFLOW TEMPERATURE PROFILE USING LEAD-FREE SOLDER PASTE (REFERENCE)



NUMBER OF REFLOW CYCLES: 2 CYCLES MAX. (s)  
THE TEMPERATURE IS MEASURED IN THE TERMINAL LEAD PART.  
ADDITIONAL FACTORS, SUCH AS SOLDER PASTE TYPE,  
PCB SIZE AND OTHER MOUNTED COMPONENTS COULD AFFECT  
THE PROFILE. THEREFORE, A THOROUGH EVALUATION OF  
MOUNTING CONDITION IS REQUIRED PRIOR TO PRODUCTION.  
TEMPERATURE IS MEASURED AT CONTACT LEAD.

<b>HRS</b>	DRAWING NO.	EDC-332132-61-00
	PART NO.	DF50-20DP-1H(61)
	CODE NO.	CL0665-0016-5-61

Aug.1.2024 Copyright 2024 HIROSE ELECTRIC CO., LTD. All Rights Reserved.  
In case of consideration for using Automotive equipment / device which demand high reliability, kindly contact our sales window correspondents.



<b>HRS</b>	DRAWING NO.	EDC-332132-61-00
	PART NO.	DF50-20DP-1H(61)
	CODE NO.	CL0665-0016-5-61
		3/3