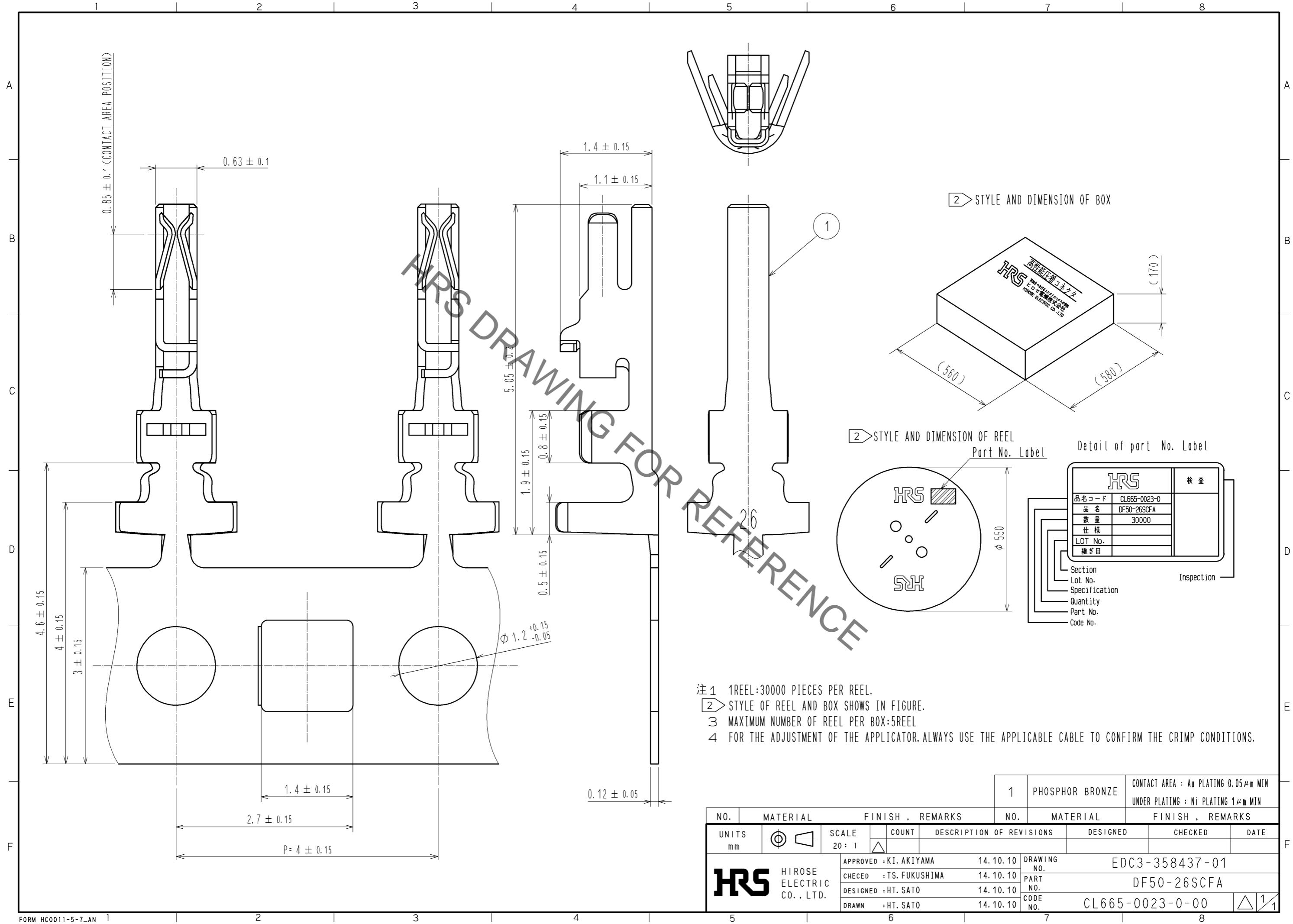
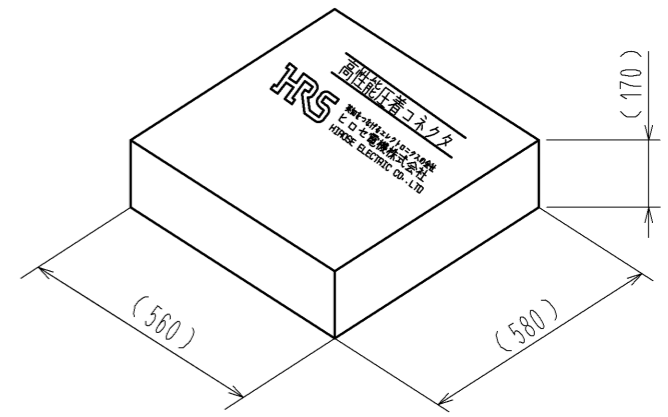


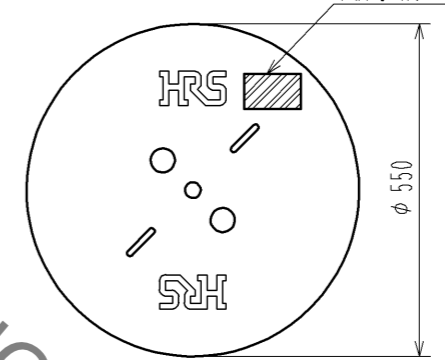
Jun.1.2021 Copyright 2021 HIROSE ELECTRIC CO., LTD. All Rights Reserved.
 In case of consideration for using Automotive equipment / device which demand high reliability, kindly contact our sales window correspondents.



2 STYLE AND DIMENSION OF BOX



2 STYLE AND DIMENSION OF REEL



Detail of part No. Label

| | | |
|---------|--------------|---|
| HRS | | 検査 |
| 品名コード | CL665-0023-0 | Section Lot No. Specification Quantity Part No. Code No. |
| 品名 | DF50-26SCFA | |
| 数量 | 30000 | |
| 仕様 | | |
| LOT No. | | |
| 継ぎ目 | | |
| | | Inspection |

- 注1 1REEL:30000 PIECES PER REEL.
 2 STYLE OF REEL AND BOX SHOWS IN FIGURE.
 3 MAXIMUM NUMBER OF REEL PER BOX:5REEL
 4 FOR THE ADJUSTMENT OF THE APPLICATOR, ALWAYS USE THE APPLICABLE CABLE TO CONFIRM THE CRIMP CONDITIONS.

| | | | | | | | |
|-------------|---------------------------------|------------------------|------------|--------------------------|--|---------|------|
| NO. | MATERIAL | FINISH . REMARKS | NO. | MATERIAL | FINISH . REMARKS | | |
| | | | 1 | PHOSPHOR BRONZE | CONTACT AREA : Au PLATING 0.05μm MIN UNDER PLATING : Ni PLATING 1μm MIN | | |
| UNITS mm | | SCALE 20 : 1 | COUNT | DESCRIPTION OF REVISIONS | DESIGNED | CHECKED | DATE |
| HRS | HIROSE ELECTRIC CO., LTD. | APPROVED : KI. AKIYAMA | 14. 10. 10 | DRAWING NO. | EDC3-358437-01 | | |
| | | CHECED : TS. FUKUSHIMA | 14. 10. 10 | PART NO. | DF50-26SCFA | | |
| | | DESIGNED : HT. SATO | 14. 10. 10 | CODE NO. | CL665-0023-0-00 | | |
| | | DRAWN : HT. SATO | 14. 10. 10 | | 1/1 | | |