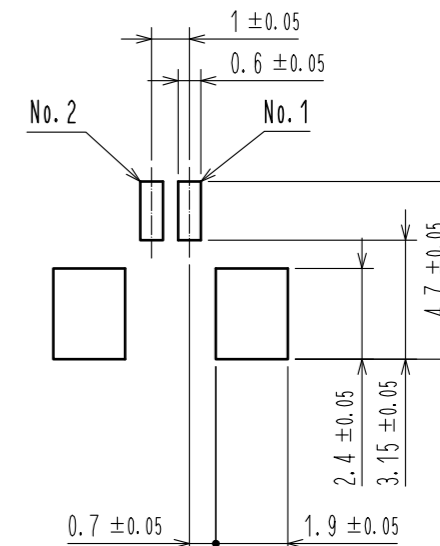
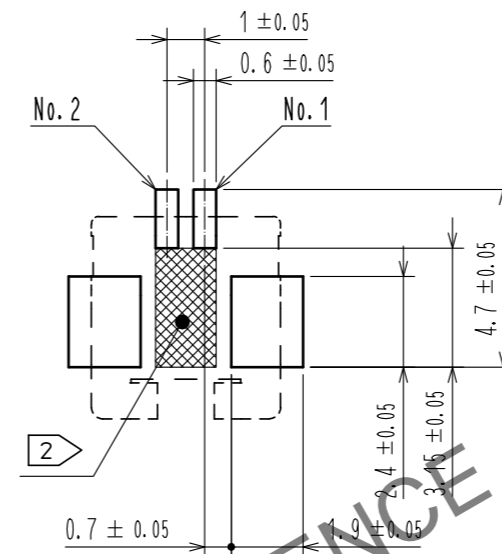
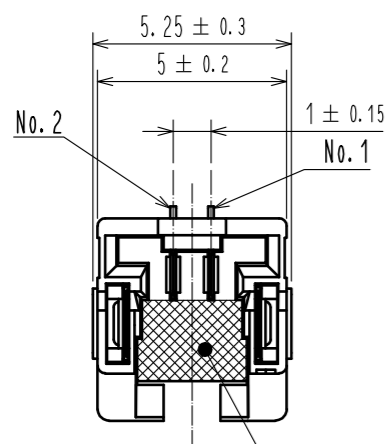


Sep.1.2024 Copyright 2024 HIROSE ELECTRIC CO., LTD. All Rights Reserved.
In case of consideration for using Automotive equipment / device which demand high reliability, kindly contact our sales window correspondents.

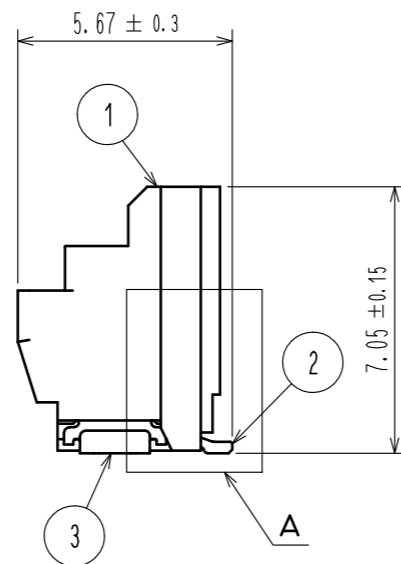
RECOMMENDED PCB LAYOUT
(MOUNTING SURFACE SIDE) (FREE)

RECOMMENDED METAL MASK (FREE)
THICKNESS : 0.1mm
OPEN AREA RATIO:100%

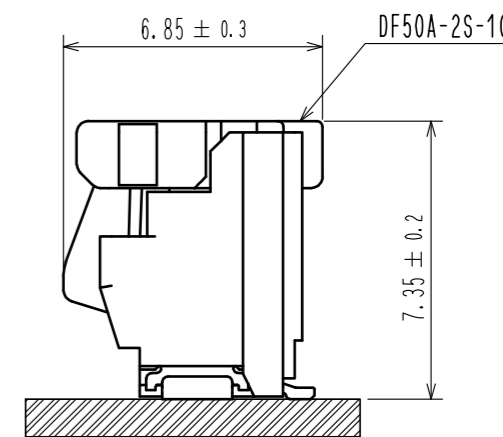
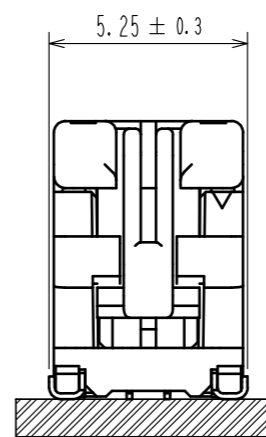
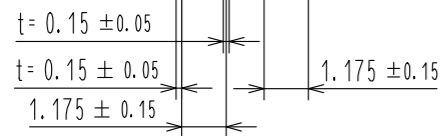


VACUUM PICK UP AREA

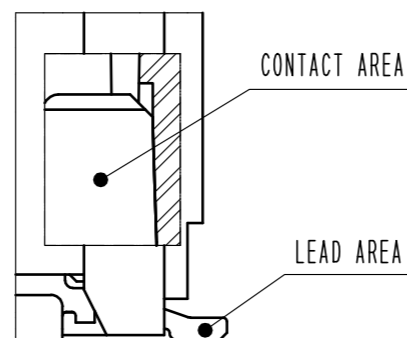
POLARIZATION MARK



MATING FIGURE(5:1)



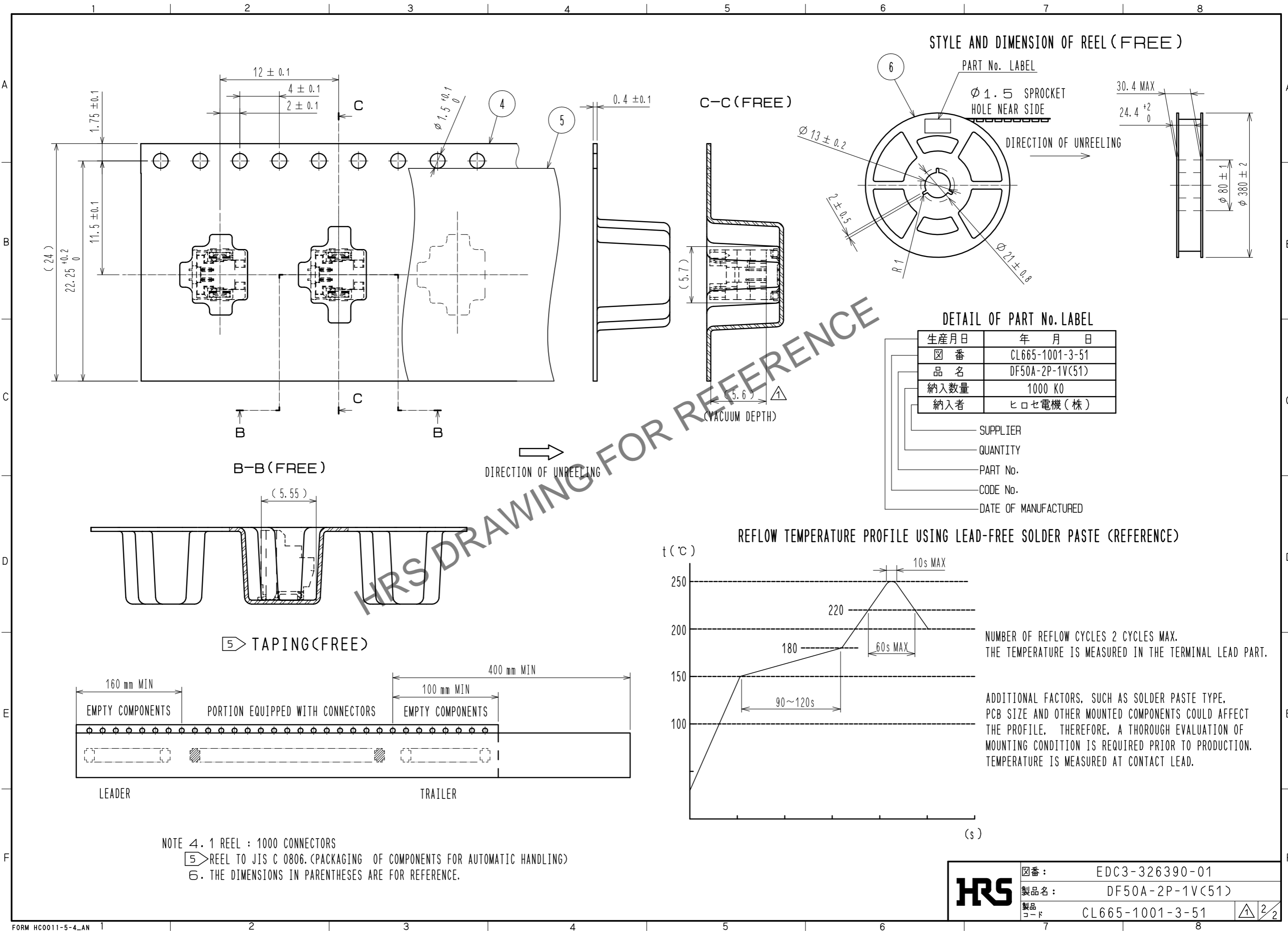
A (10:1)



- NOTES 1. LEAD CO-PLANARITY SHALL BE 0.1mm MAX
 2. AREA INDICATED MUST BE FREE OF CONDUCTIVE TRACES OR THE CONDUCTIVE TRACES MUST BE COVERED BY RESIST FILM.
 3. PLEASE CONSULT HIROSE WHEN THE PRODUCT IS MOUNTED TO FPC.

3	PHOSPHOR BRONZE	CONTACT AREA : Sn PLATING 1μm MIN UNDER PLATING : Cu PLATING 0.3μm MIN	6	PS	REEL , BLACK		
2	BRASS	CONTACT AREA : Au PLATING 0.05μm MIN LEAD AREA : Au PLATING 0.05μm MIN UNDER PLATING : Ni PLATING 1μm MIN	5	POLYESTER	CLEAR		
1	LCP	BLACK , UL94V-0	4	PS	CLEAR		
NO.	MATERIAL	FINISH , REMARKS	NO.	MATERIAL	FINISH , REMARKS		
UNITS mm		SCALE 5 : 1	COUNT 1	DESCRIPTION OF REVISIONS DIS-H-00005113	DESIGNED HK. HAYASHI	CHECKED SZ. ONO	DATE 20190729
HRS HIROSE ELECTRIC CO., LTD.		APPROVED : KI. AKIYAMA 20101214	DRAWING NO. EDC3-326390-01				
		CHECED : OM. MIYAMOTO 20101214	PART NO. DF50A-2P-1V(51)				
		DESIGNED : TT. OHSAKO 20101213	CODE NO. CL665-1001-3-51				
		DRAWN : TT. OHSAKO 20101213					

Sep.1.2024 Copyright 2024 HIROSE ELECTRIC CO., LTD. All Rights Reserved.
In case of consideration for using Automotive equipment / device which demand high reliability, kindly contact our sales window correspondents.



図番:	EDC3-326390-01
製品名:	DF50A-2P-1V(51)
製品コード:	CL665-1001-3-51