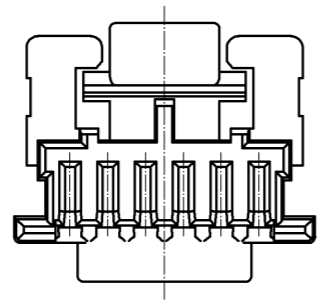
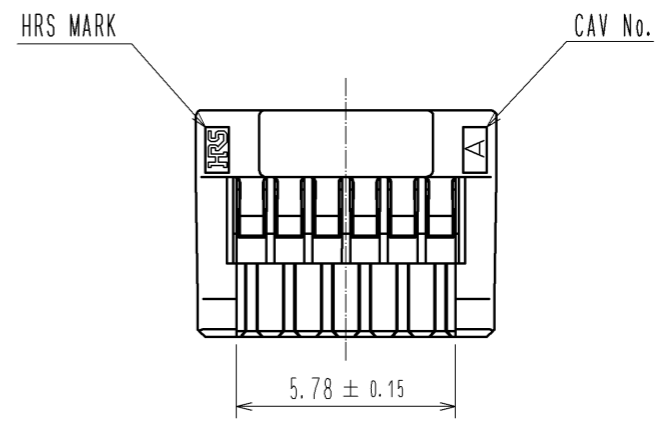
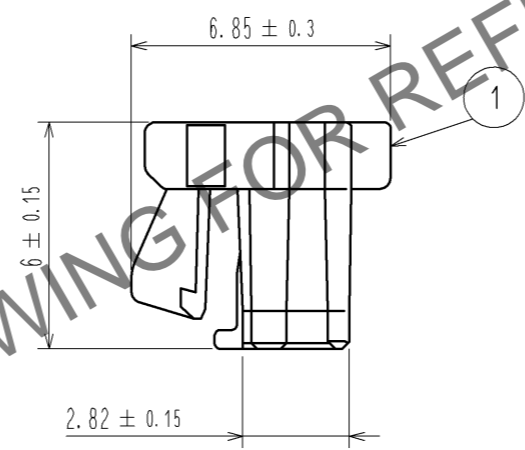
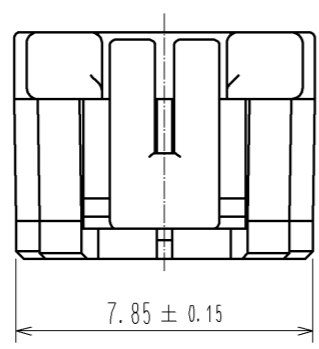
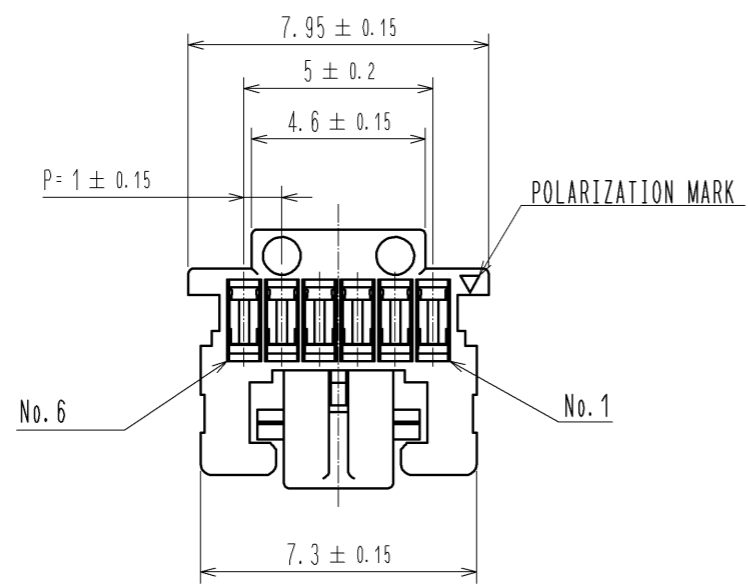


Sep.1.2024 Copyright 2024 HIROSE ELECTRIC CO., LTD. All Rights Reserved.
 In case of consideration for using Automotive equipment / device which demand high reliability, kindly contact our sales window correspondents.



HRS DRAWING FOR REFERENCE

NOTE1. PER PACK:100 PIECES

NO.		MATERIAL		FINISH . REMARKS		1	PBT	UL94V-0. BLACK		
UNITS mm		SCALE 5 : 1		COUNT △		DESCRIPTION OF REVISIONS		DESIGNED	CHECKED	DATE
HIROSE ELECTRIC CO., LTD.		APPROVED : KI. AKIYAMA		11.06.28		DRAWING NO.		EDC3-329663-00		
		CHECKED : OM. MIYAMOTO		11.06.28		PART NO.		DF50A-6S-1C		
		DESIGNED : TT. OHSAKO		11.06.28		CODE NO.		CL665-1011-7-00		
		DRAWN : ST. SATO		11.06.27				△ 1/1		