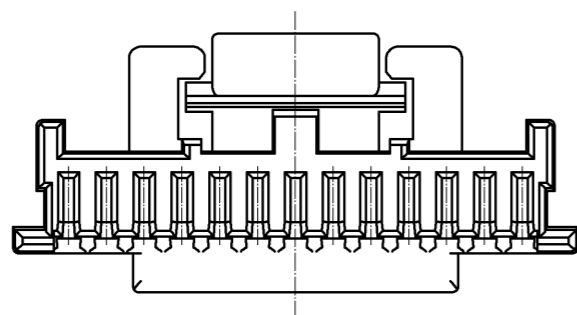
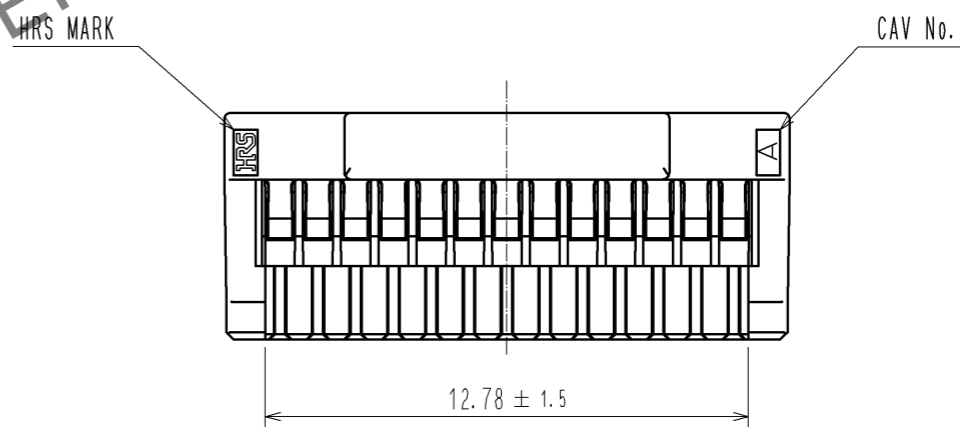
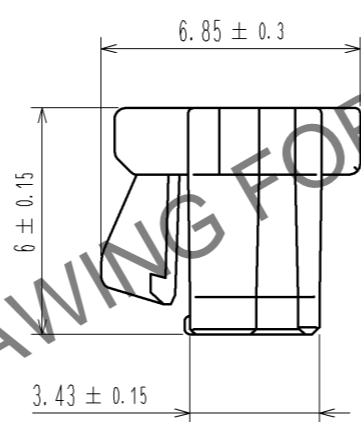
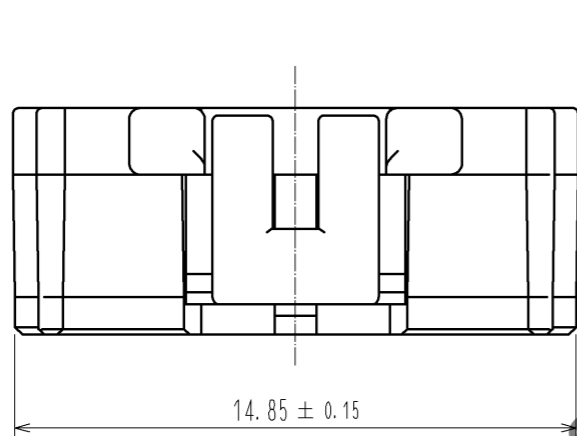
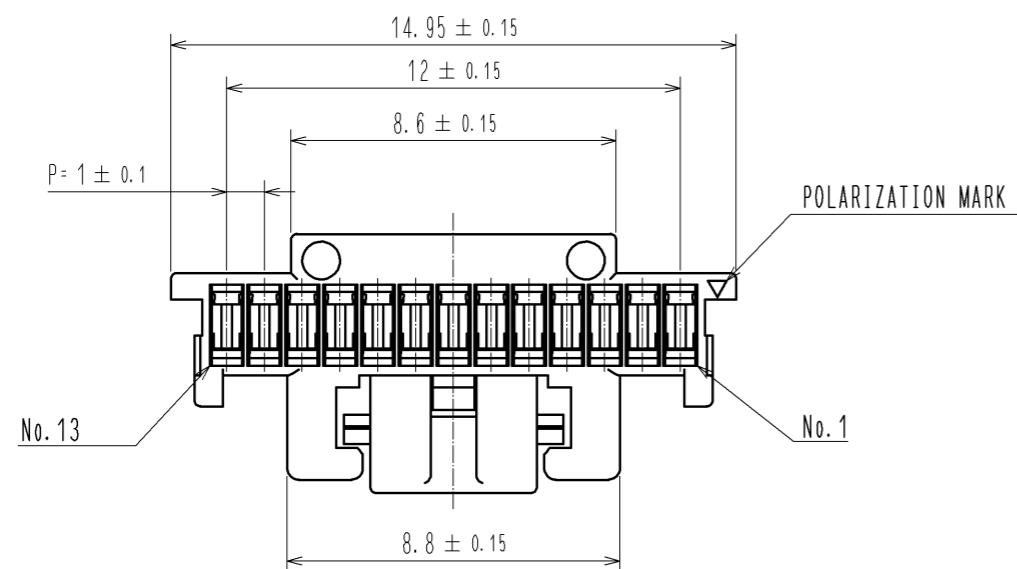


Sep.1.2024 Copyright 2024 HIROSE ELECTRIC CO., LTD. All Rights Reserved.
 In case of consideration for using Automotive equipment / device which demand high reliability, kindly contact our sales window correspondents.



HRS DRAWING FOR REFERENCE

NOTE1. PER PACK:100 PIECES

NO.	MATERIAL	FINISH . REMARKS	NO.	MATERIAL	FINISH . REMARKS		
			1	PBT	UL94V-0. BLACK		
UNITS mm		SCALE 5 : 1	COUNT 	DESCRIPTION OF REVISIONS	DESIGNED	CHECKED	DATE
HRS HIROSE ELECTRIC CO., LTD.			APPROVED : KI. AKIYAMA	13.07.12	DRAWING NO. EDC3-329678-01		
			CHECED : HK. UMEHARA	13.07.12	PART NO. DF50A-13S-1C		
			DESIGNED : ST. SATO	13.07.12	CODE NO. CL665-1024-9-00		
			DRAWN : ST. SATO	13.07.12			