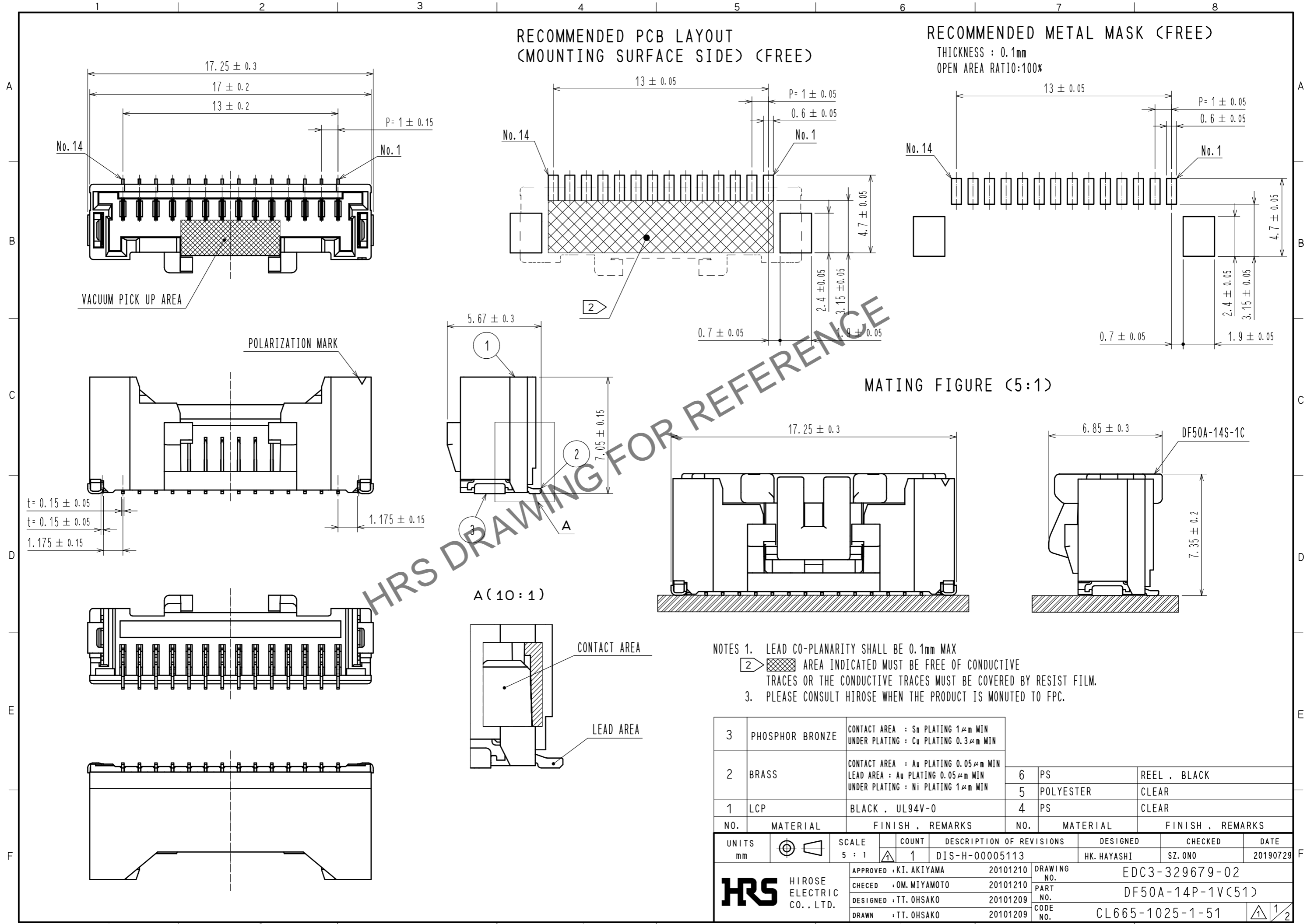


Sep.1.2024 Copyright 2024 HIROSE ELECTRIC CO., LTD. All Rights Reserved.
In case of consideration for using Automotive equipment / device which demand high reliability, kindly contact our sales window correspondents.

RECOMMENDED PCB LAYOUT
(MOUNTING SURFACE SIDE) (FREE)

RECOMMENDED METAL MASK (FREE)

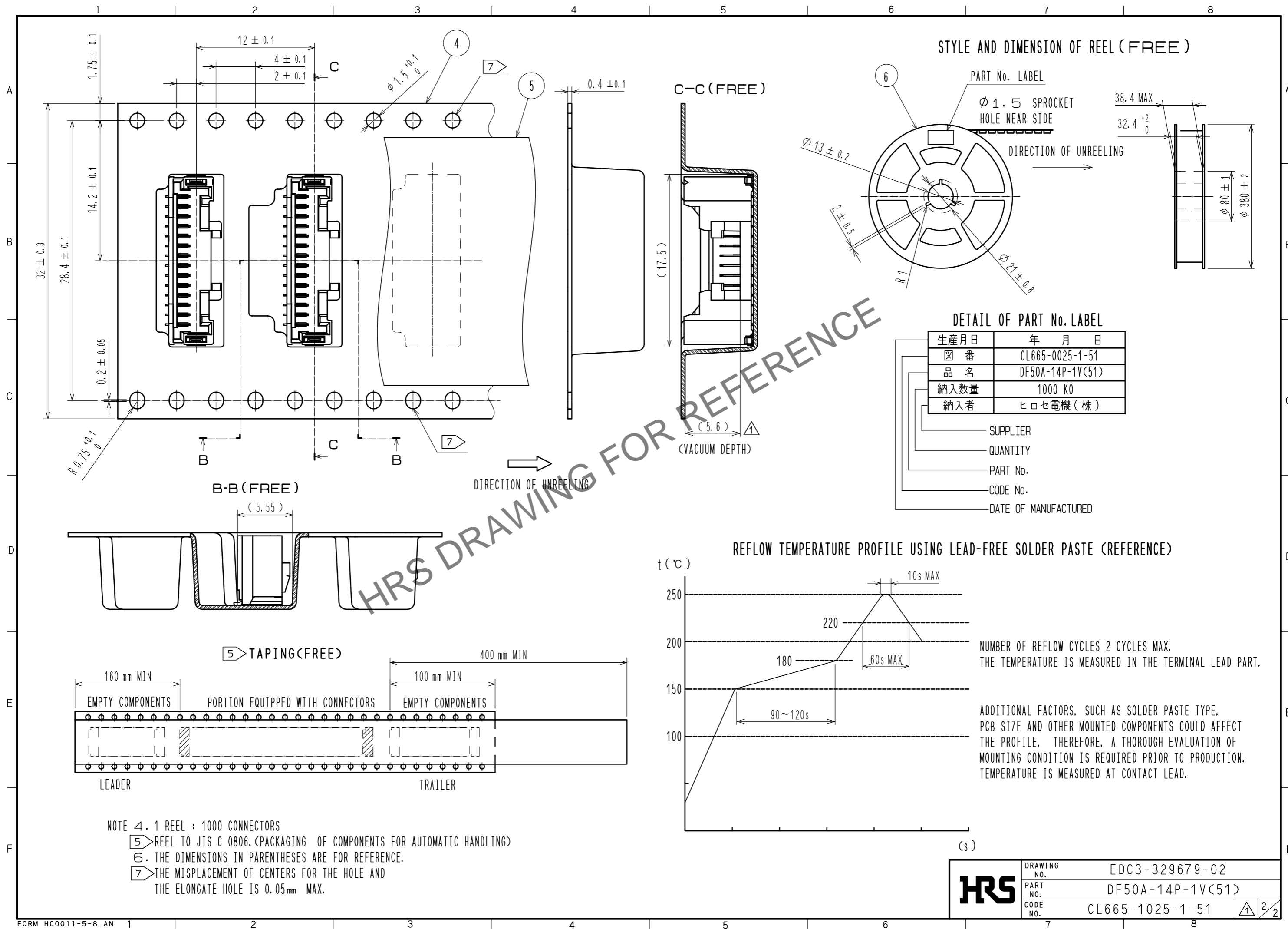
THICKNESS : 0.1mm
OPEN AREA RATIO:100%



- NOTES 1. LEAD CO-PLANARITY SHALL BE 0.1mm MAX
 2. AREA INDICATED MUST BE FREE OF CONDUCTIVE TRACES OR THE CONDUCTIVE TRACES MUST BE COVERED BY RESIST FILM.
 3. PLEASE CONSULT HIROSE WHEN THE PRODUCT IS MOUNTED TO FPC.

3	PHOSPHOR BRONZE	CONTACT AREA : Sn PLATING 1μm MIN UNDER PLATING : Cu PLATING 0.3μm MIN	6	PS	REEL , BLACK
2	BRASS	CONTACT AREA : Au PLATING 0.05μm MIN LEAD AREA : Au PLATING 0.05μm MIN UNDER PLATING : Ni PLATING 1μm MIN	5	POLYESTER	CLEAR
1	LCP	BLACK , UL94V-0	4	PS	CLEAR
NO.	MATERIAL	FINISH , REMARKS	NO.	MATERIAL	FINISH , REMARKS
UNITS mm		SCALE 5 : 1	COUNT 1	DESCRIPTION OF REVISIONS DIS-H-00005113	
DESIGNED HK. HAYASHI		CHECKED SZ. ONO		DATE 20190729	
APPROVED : KI. AKIYAMA 20101210		DRAWING NO. EDC3-329679-02			
CHECED : OM. MIYAMOTO 20101210		PART NO. DF50A-14P-1V(51)			
DESIGNED : TT. OHSAKO 20101209		CODE NO. CL665-1025-1-51			
DRAWN : TT. OHSAKO 20101209					

Sep.1.2024 Copyright 2024 HIROSE ELECTRIC CO., LTD. All Rights Reserved.
In case of consideration for using Automotive equipment / device which demand high reliability, kindly contact our sales window correspondents.



HRS

DRAWING NO.	EDC3-329679-02
PART NO.	DF50A-14P-1V(51)
CODE NO.	CL665-1025-1-51

① 2/2