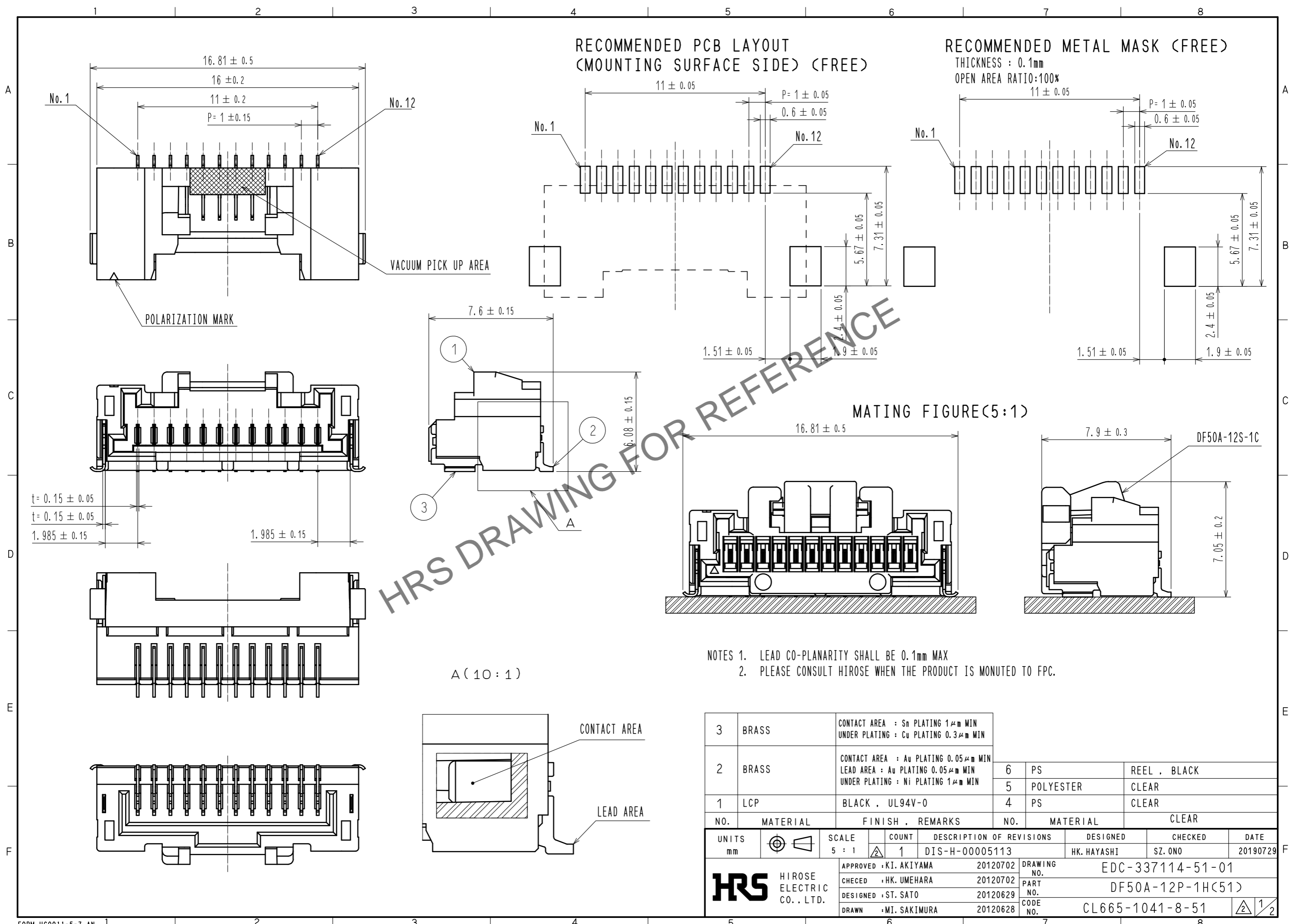


Sep.1.2024 Copyright 2024 HIROSE ELECTRIC CO., LTD. All Rights Reserved.  
In case of consideration for using Automotive equipment / device which demand high reliability, kindly contact our sales window correspondents.



HRS DRAWING FOR REFERENCE

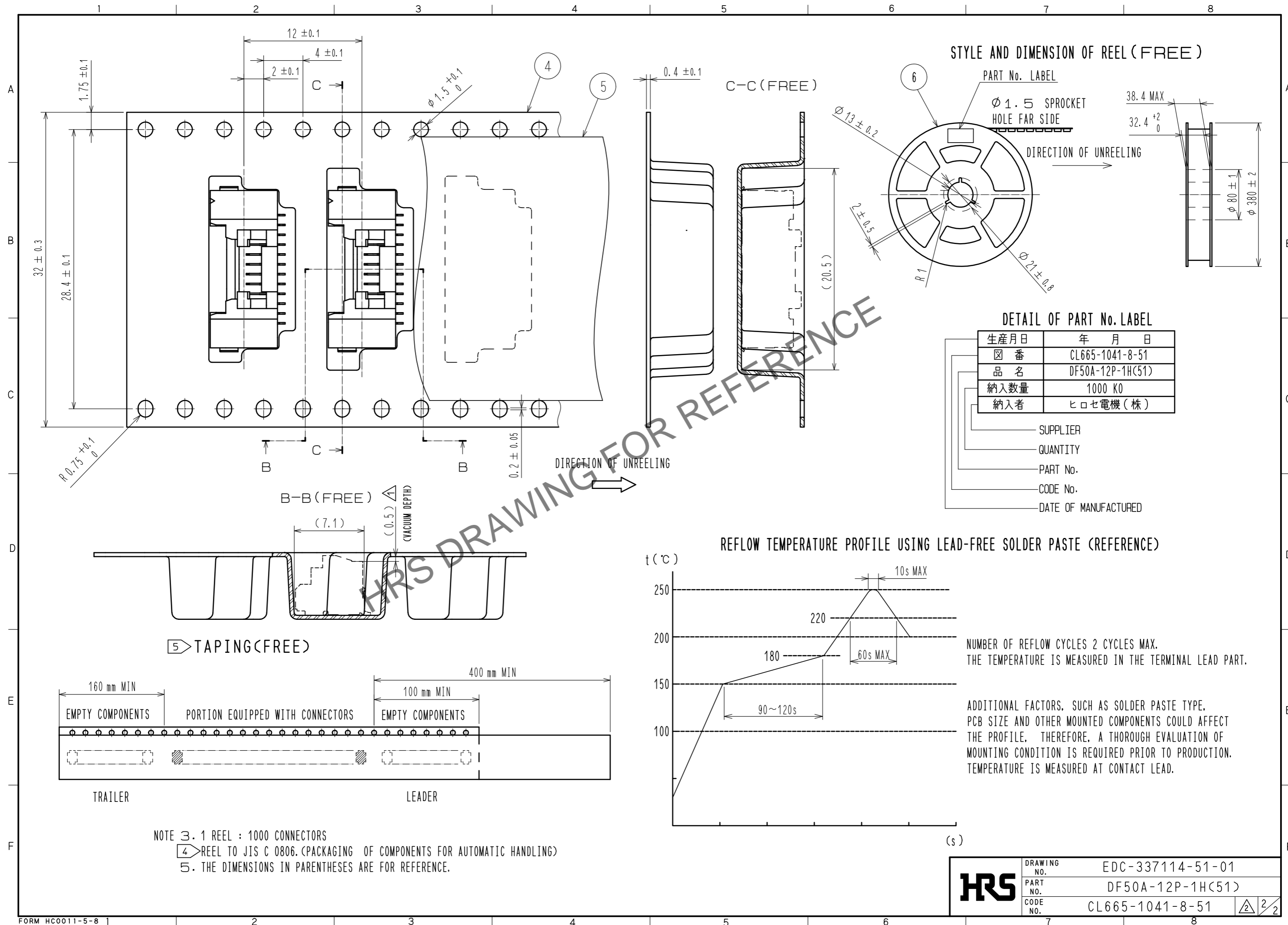
- NOTES 1. LEAD CO-PLANARITY SHALL BE 0.1mm MAX  
2. PLEASE CONSULT HIROSE WHEN THE PRODUCT IS MONUTED TO FPC.

3	BRASS	CONTACT AREA : Sn PLATING 1μm MIN UNDER PLATING : Cu PLATING 0.3μm MIN			
2	BRASS	CONTACT AREA : Au PLATING 0.05μm MIN LEAD AREA : Au PLATING 0.05μm MIN UNDER PLATING : Ni PLATING 1μm MIN	6	PS	REEL , BLACK
1	LCP	BLACK , UL94V-0	5	POLYESTER	CLEAR
			4	PS	CLEAR
NO.	MATERIAL	FINISH , REMARKS	NO.	MATERIAL	CLEAR

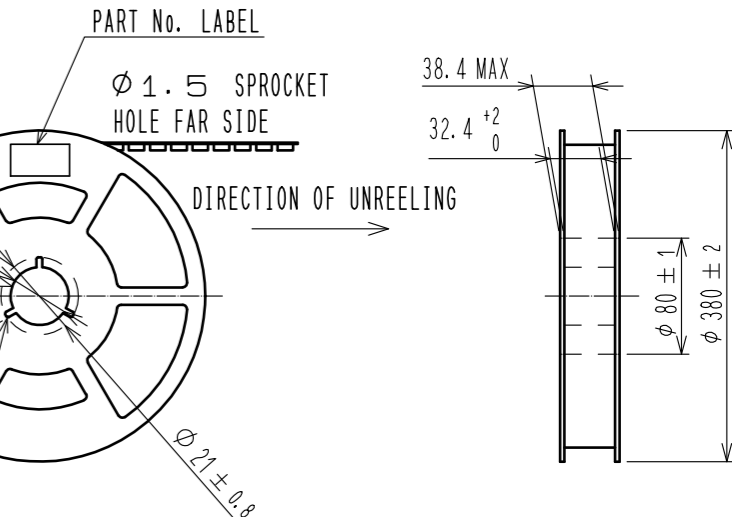
  

UNITS	mm	SCALE	5 : 1	COUNT	1	DESCRIPTION OF REVISIONS	DESIGNED	CHECKED	DATE
						DIS-H-00005113	HK. HAYASHI	SZ. ONO	20190729
APPROVED		: KI. AKIYAMA		20120702		DRAWING NO.		EDC-337114-51-01	
CHECED		: HK. UMEHARA		20120702		PART NO.		DF50A-12P-1H(51)	
DESIGNED		: ST. SATO		20120629		CODE NO.		CL665-1041-8-51	
DRAWN		: MI. SAKIMURA		20120628					

Sep.1.2024 Copyright 2024 HIROSE ELECTRIC CO., LTD. All Rights Reserved.  
 In case of consideration for using Automotive equipment / device which demand high reliability, kindly contact our sales window correspondents.



STYLE AND DIMENSION OF REEL (FREE)

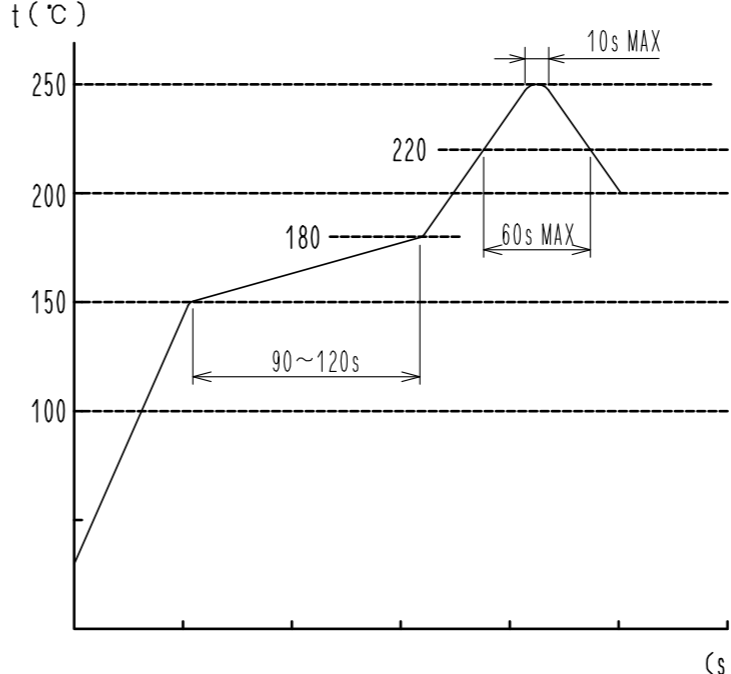


DETAIL OF PART No. LABEL

生産月日	年 月 日
箱 番	CL665-1041-8-51
品 名	DF50A-12P-1H(51)
納入数量	1000 K0
納入者	ヒロセ電機(株)

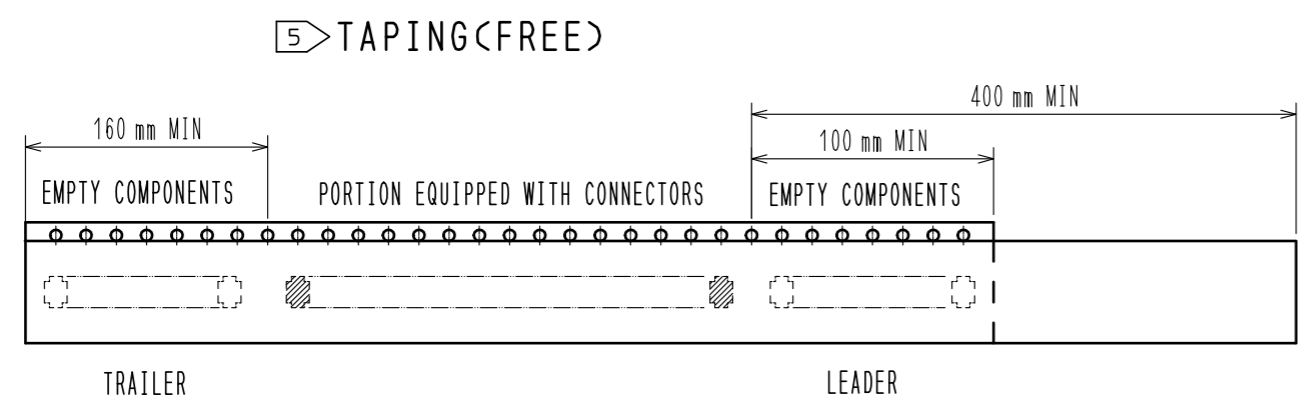
— SUPPLIER  
 — QUANTITY  
 — PART No.  
 — CODE No.  
 — DATE OF MANUFACTURED

REFLOW TEMPERATURE PROFILE USING LEAD-FREE SOLDER PASTE (REFERENCE)



NUMBER OF REFLOW CYCLES 2 CYCLES MAX.  
 THE TEMPERATURE IS MEASURED IN THE TERMINAL LEAD PART.

ADDITIONAL FACTORS, SUCH AS SOLDER PASTE TYPE, PCB SIZE AND OTHER MOUNTED COMPONENTS COULD AFFECT THE PROFILE. THEREFORE, A THOROUGH EVALUATION OF MOUNTING CONDITION IS REQUIRED PRIOR TO PRODUCTION. TEMPERATURE IS MEASURED AT CONTACT LEAD.



NOTE 3. 1 REEL : 1000 CONNECTORS  
 4 REEL TO JIS C 0806. (PACKAGING OF COMPONENTS FOR AUTOMATIC HANDLING)  
 5. THE DIMENSIONS IN PARENTHESES ARE FOR REFERENCE.

<b>HRS</b>	DRAWING NO.	EDC-337114-51-01
	PART NO.	DF50A-12P-1H(51)
	CODE NO.	CL665-1041-8-51
		2/2