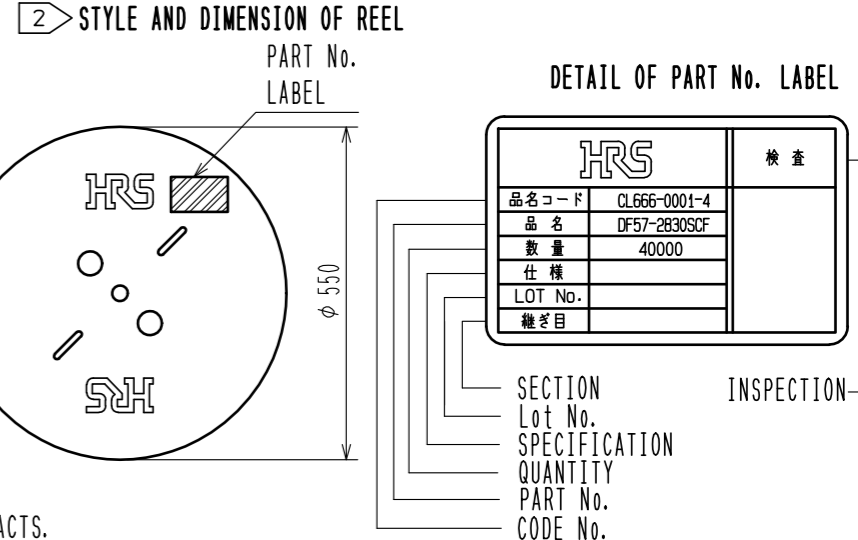
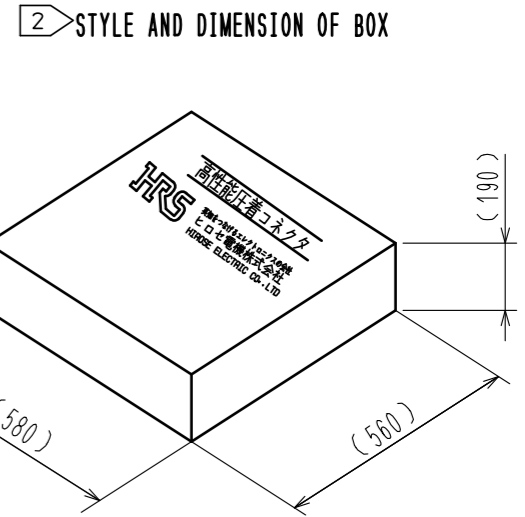
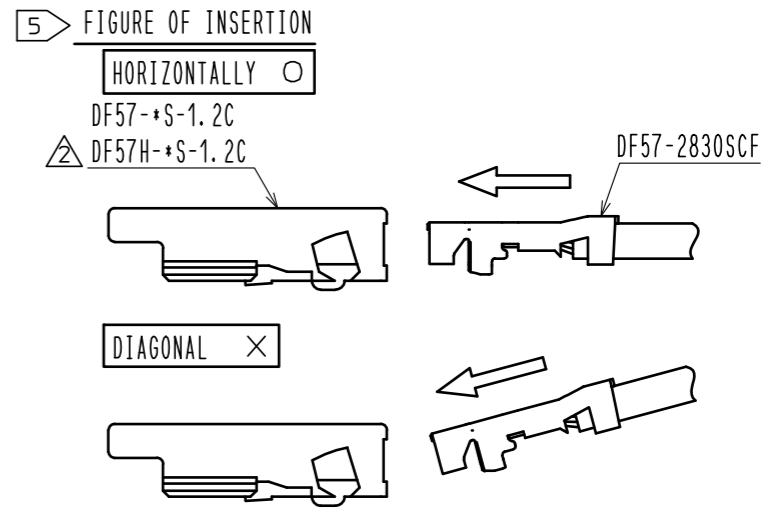
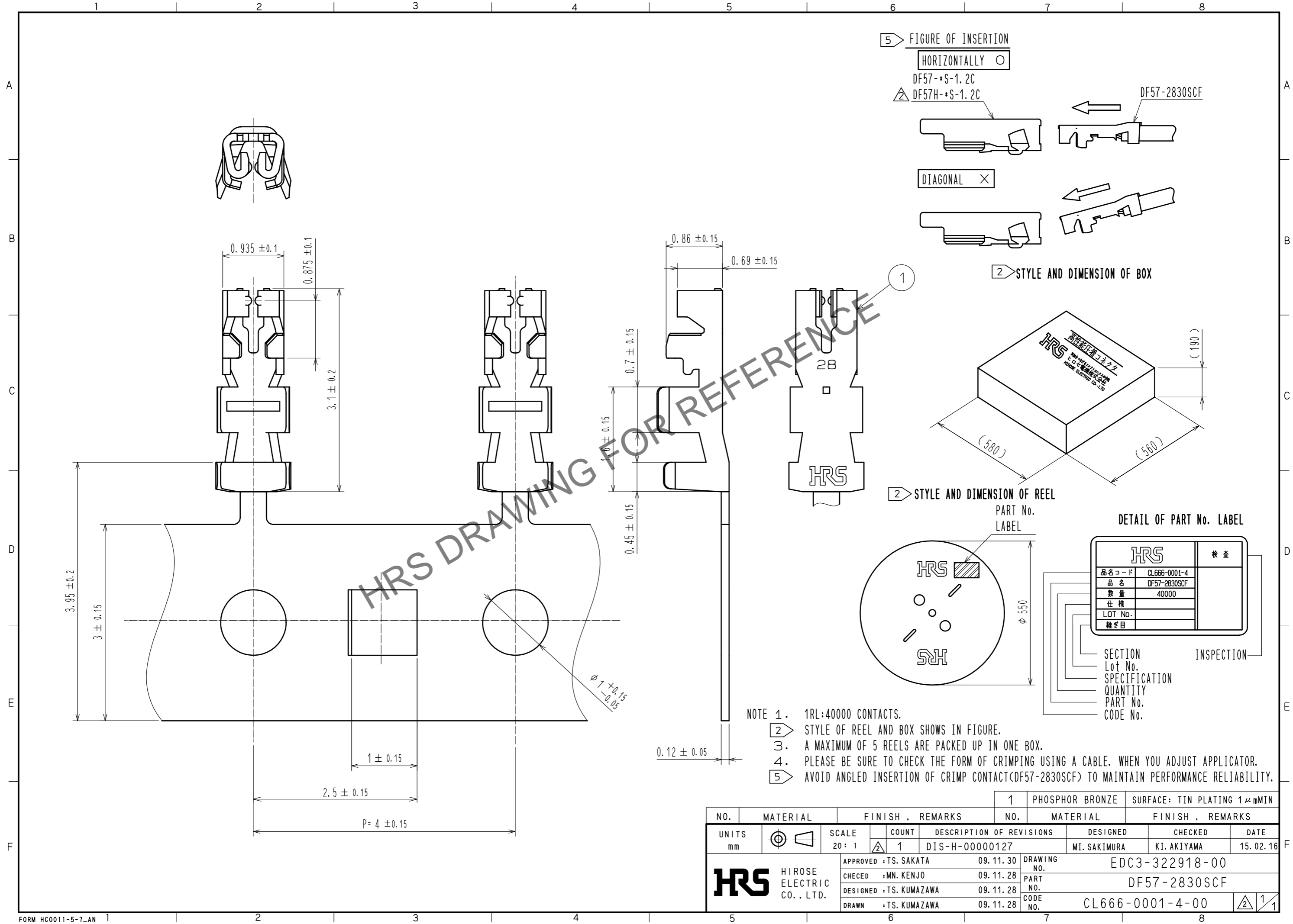


Jan.1.2025 Copyright 2025 HIROSE ELECTRIC CO., LTD. All Rights Reserved.
In case of consideration for using Automotive equipment / device which demand high reliability, kindly contact our sales window correspondents.



NOTE 1. 1RL:40000 CONTACTS.
 2 STYLE OF REEL AND BOX SHOWS IN FIGURE.
 3. A MAXIMUM OF 5 REELS ARE PACKED UP IN ONE BOX.
 4. PLEASE BE SURE TO CHECK THE FORM OF CRIMPING USING A CABLE. WHEN YOU ADJUST APPLICATOR.
 5 AVOID ANGLED INSERTION OF CRIMP CONTACT(DF57-2830SCF) TO MAINTAIN PERFORMANCE RELIABILITY.

NO.	MATERIAL	FINISH	REMARKS	NO.	MATERIAL	FINISH	REMARKS		
				1	PHOSPHOR BRONZE		SURFACE: TIN PLATING 1 μmMIN		
UNITS	mm	SCALE	20:1	COUNT	1	DESCRIPTION OF REVISIONS	DESIGNED	CHECKED	DATE
						DIS-H-00000127	MI. SAKIMURA	KI. AKIYAMA	15.02.16
APPROVED		: TS. SAKATA		09.11.30		DRAWING NO.		EDC3-322918-00	
CHECKED		: MN. KENJO		09.11.28		PART NO.		DF57-2830SCF	
DESIGNED		: TS. KUMAZAWA		09.11.28		CODE NO.		CL666-0001-4-00	
DRAWN		: TS. KUMAZAWA		09.11.28					