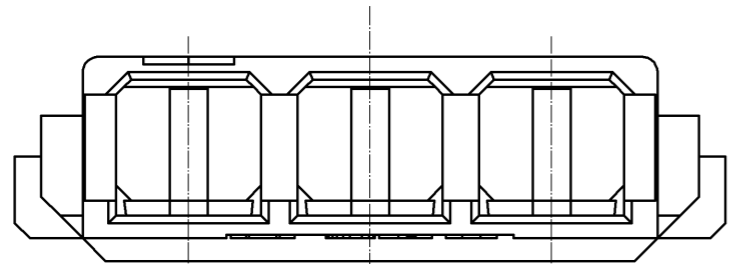
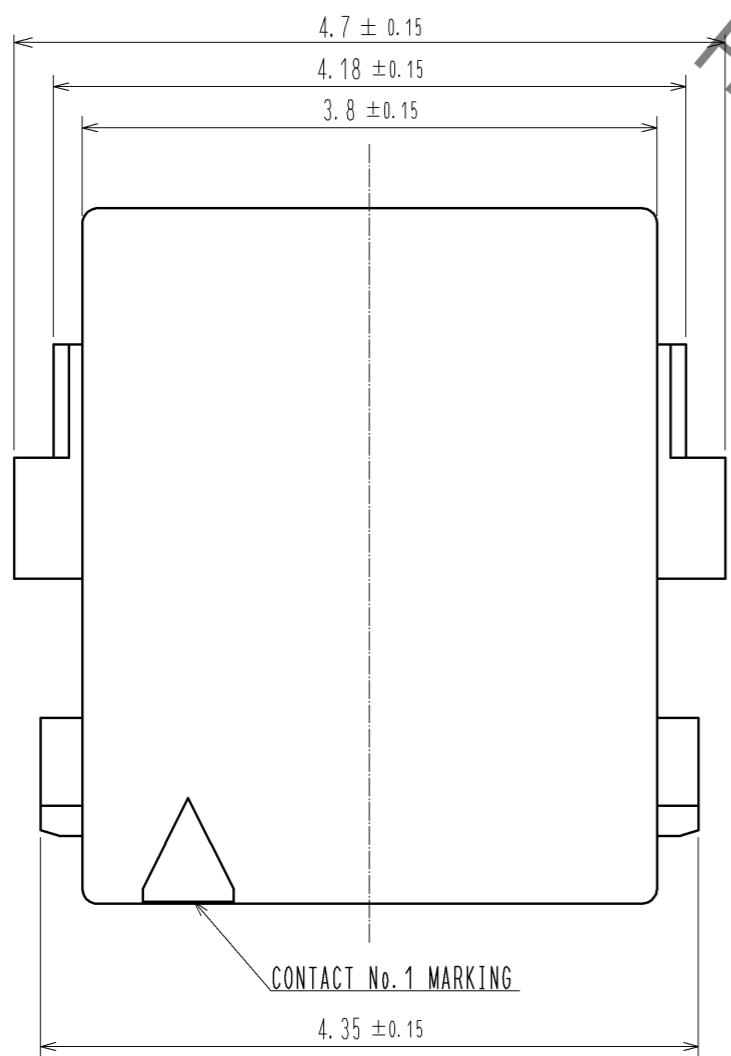
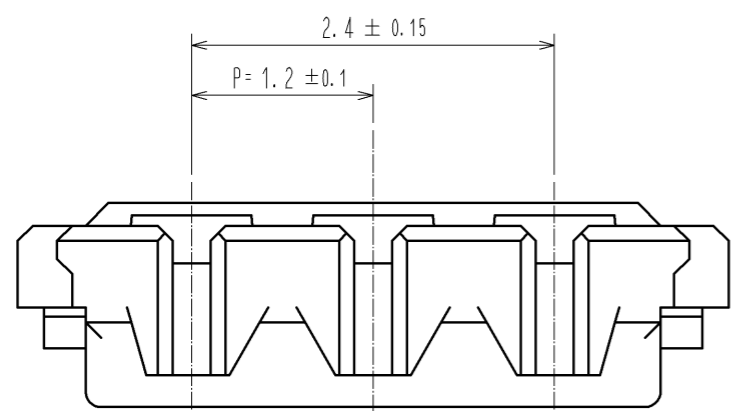


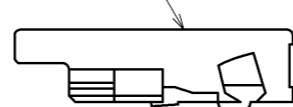
Oct.1.2021 Copyright 2021 HIROSE ELECTRIC CO., LTD. All Rights Reserved.
 In case of consideration for using Automotive equipment / device which demand high reliability, kindly contact our sales window correspondents.



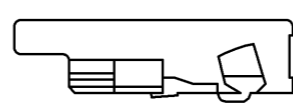
1 > FIGURE OF INSERTION

HORIZONTALLY ○

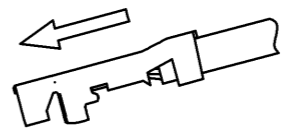
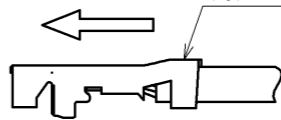
DF57H-3S-1.2C



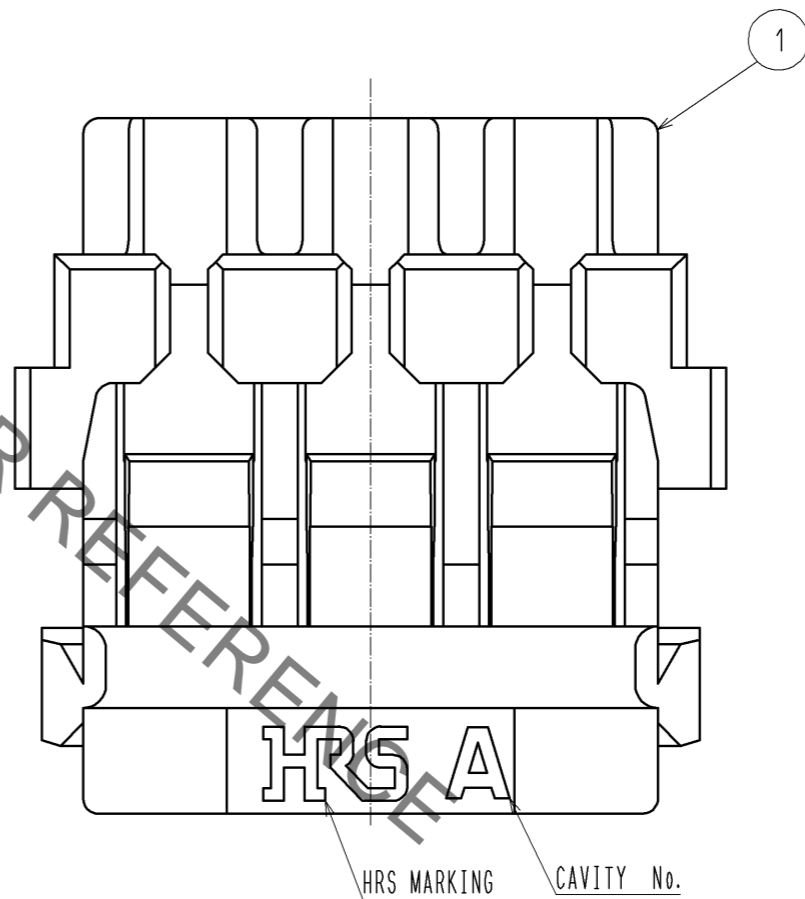
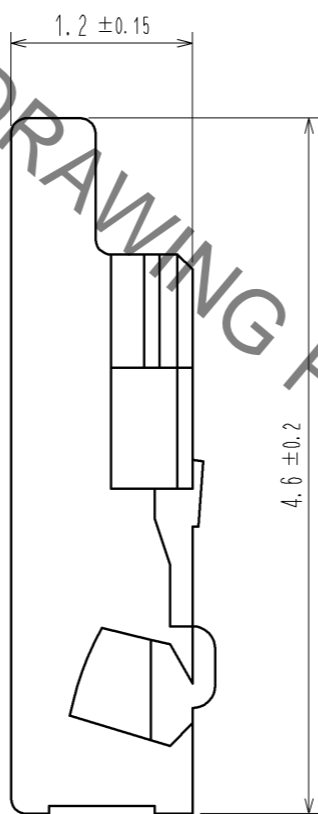
DIAGONAL ×



DF57-***SCF



HRS DRAWING FOR REFERENCE



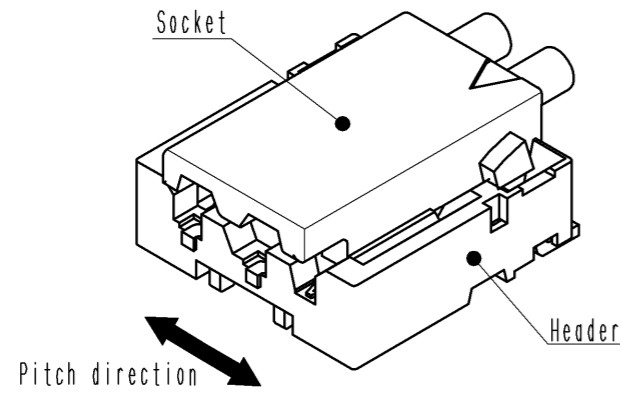
NOTE 1 > AVOID ANGLED INSERTION OF CRIMP CONTACT(DF57-***SCF) TO MAINTAIN PERFORMANCE RELIABILITY.

| NO. | MATERIAL | FINISH . REMARKS | NO. | MATERIAL | FINISH . REMARKS | | | |
|------------|----------|---------------------------|--------|-------------------------|--------------------------|----------------------------|---------|------|
| 1 | PBT | | | UL94V-0. NATURAL(WHITE) | | | | |
| UNITS | mm | SCALE | 20 : 1 | COUNT | DESCRIPTION OF REVISIONS | DESIGNED | CHECKED | DATE |
| HRS | | HIROSE ELECTRIC CO., LTD. | | APPROVED : KI. AKIYAMA | 12.02.21 | DRAWING NO. EDC3-332438-01 | | |
| | | | | CHECED : HK. UMEHARA | 12.02.21 | PART NO. DF57H-3S-1.2C | | |
| | | | | DESIGNED : TS. KUMAZAWA | 12.02.20 | CODE NO. CL666-0012-0-00 | | |
| | | | | DRAWN : TS. KUMAZAWA | 12.02.20 | 1/2 | | |

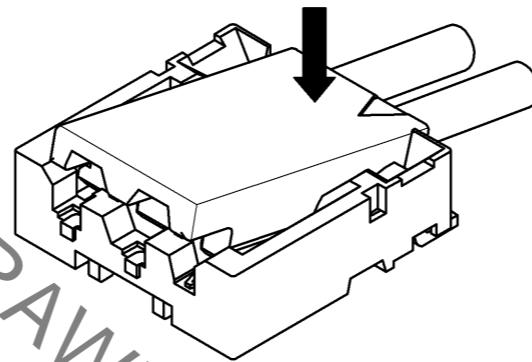
DF57 Series Mating / Unmating Operation Instruction (For DF57 series)

Mating

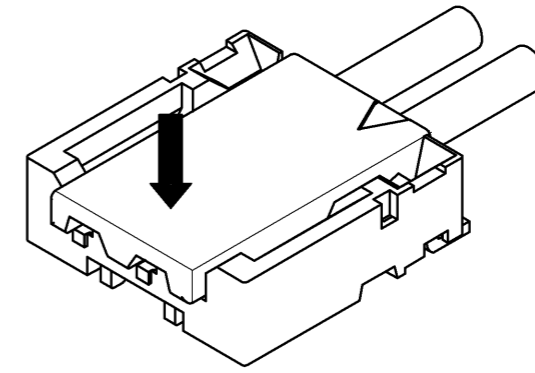
① By positioning the convexity of the socket sides to the header concavity, align the centers of the socket and the header in pitch direction.



② Slightly press the socket down at cable side to tilted angle.

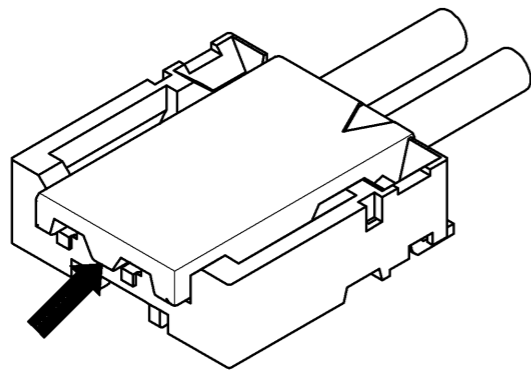


③ Press down at the lever side with stabilizing the cable side to insert. Mating completes.

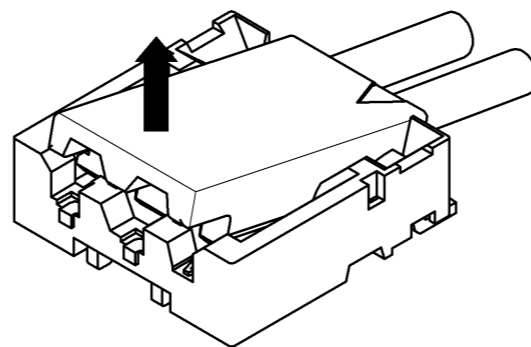


Unmating

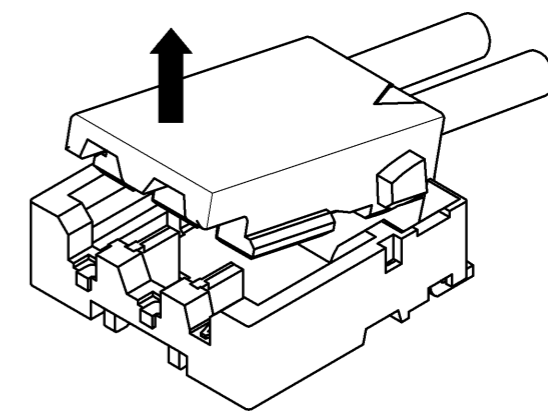
① Hook the lever with finger nail.



② Lift up to the upper direction and friction lock is released.



③ Lift up to the upper direction and positive lock is released. Removal completes.



HRS DRAWING FOR REFERENCE

| | | |
|------------|-------------|-----------------|
| HRS | DRAWING NO. | EDC3-332438-01 |
| | PART NO. | DF57H-3S-1.2C |
| | CODE NO. | CL666-0012-0-00 |
| | | △ 2/2 |

Oct.1.2021 Copyright 2021 HIROSE ELECTRIC CO., LTD. All Rights Reserved. In case of consideration for using Automotive equipment / device which demand high reliability, kindly contact our sales window correspondents.