

Jan.1.2025 Copyright 2025 HIROSE ELECTRIC CO., LTD. All Rights Reserved.
In case of consideration for using Automotive equipment / device which demand high reliability, kindly contact our sales window correspondents.

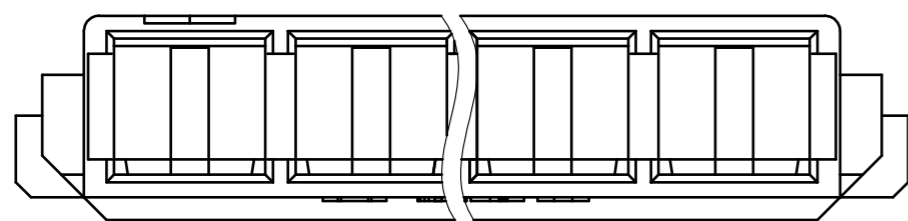
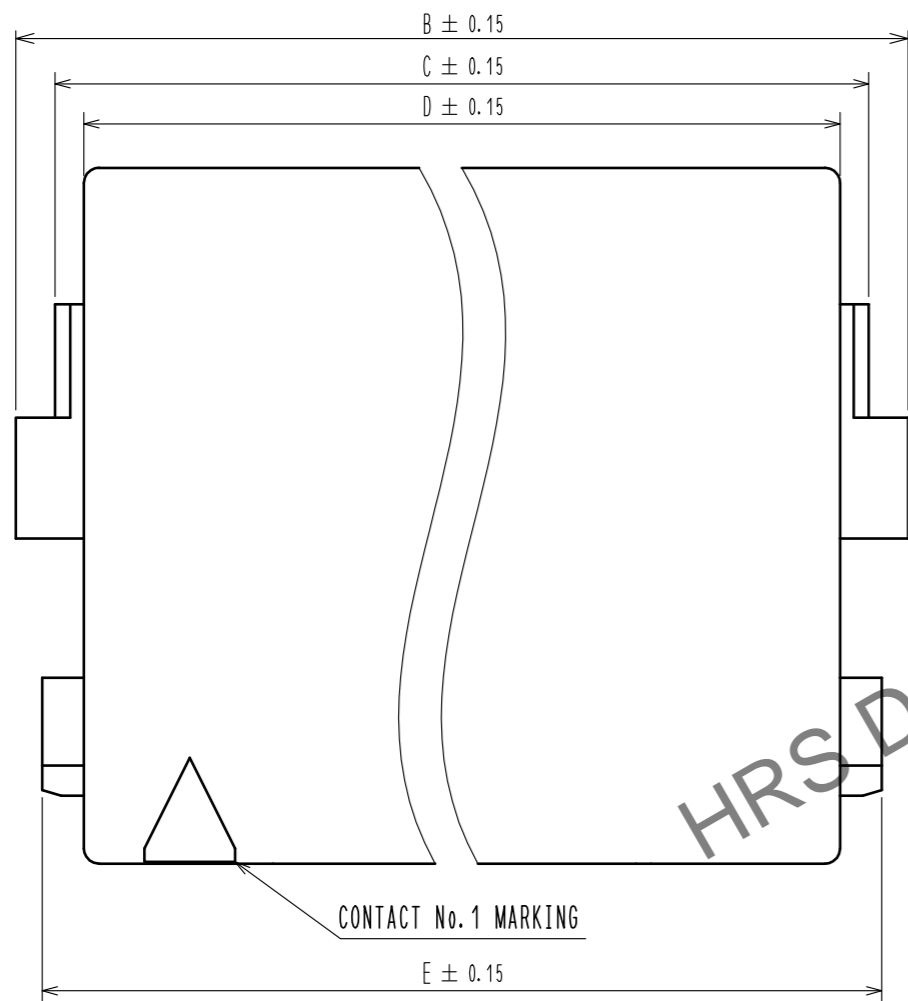
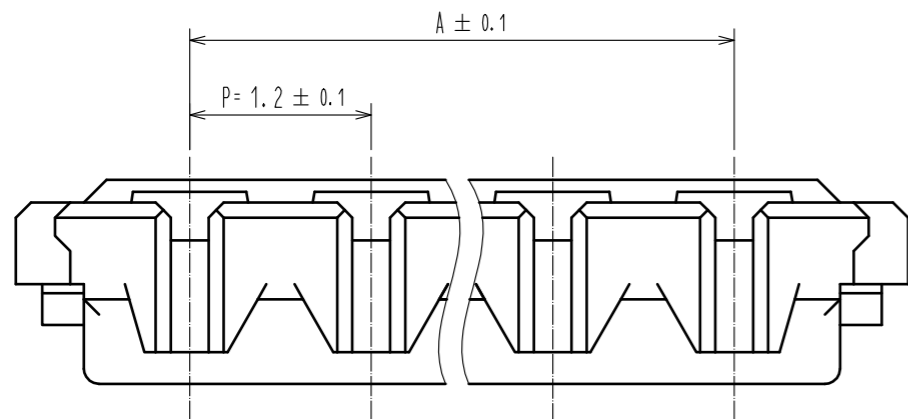
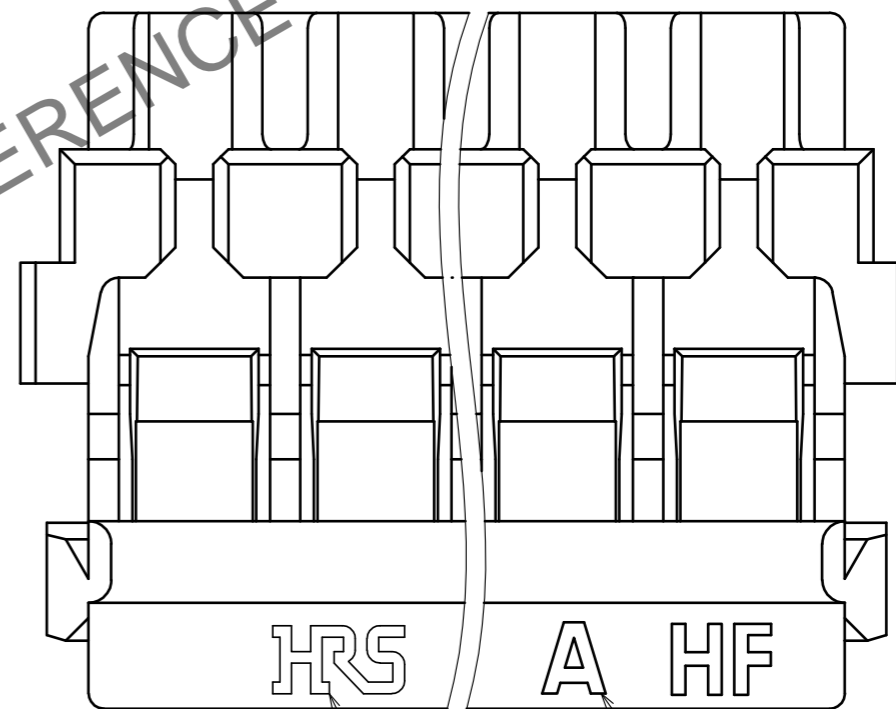
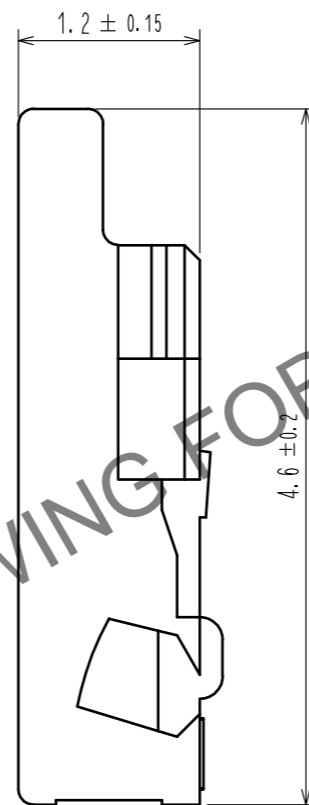
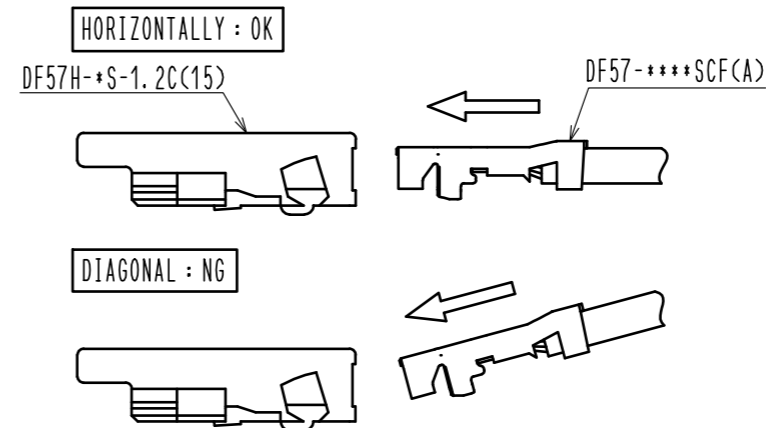


FIGURE OF INSERTION



HRS DRAWING FOR REFERENCE

- △ Note ① Avoid angled insertion of crimp contact(DF57-****SCF(A)) to maintain performance reliability.
 2. 1000 pieces per pack.
 3. UL recognized (File No. E52653)
 cUL recognized (File No. E52653)



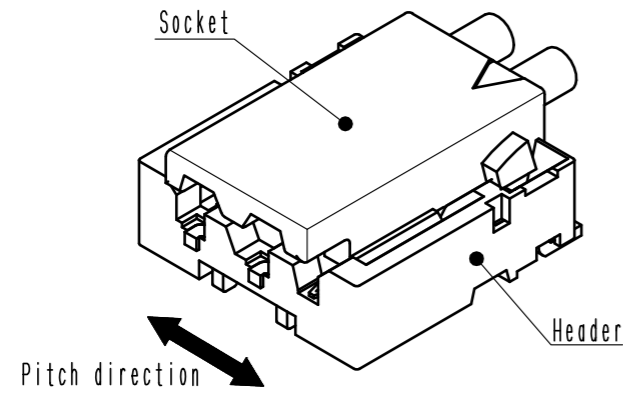
CODE No.	PART No.	NUMBER OF CONTACTS	A	B	C	D	E
CL666-0100-6-15	DF57H-2S-1.2C(15)	2	1.2	3.5	2.98	2.6	3.15
CL666-0012-0-15	DF57H-3S-1.2C(15)	3	2.4	4.7	4.18	3.8	4.35
CL666-0101-9-15	DF57H-4S-1.2C(15)	4	3.6	5.9	5.38	5.0	5.55
CL666-0102-1-15	DF57H-5S-1.2C(15)	5	4.8	7.1	6.58	6.2	6.75
CL666-0103-4-15	DF57H-6S-1.2C(15)	6	6.0	8.3	7.78	7.4	7.95

NO.	MATERIAL	FINISH . REMARKS	NO.	MATERIAL	FINISH . REMARKS
			1	LCP	UL94V-0 . BLACK
UNITS mm		SCALE 20: 1	COUNT 3	DESCRIPTION OF REVISIONS	
				DESIGNED TS. MIYAKI	CHECKED TS. FUKUSHIMA
					DATE 17. 04. 18
HRS	HIROSE ELECTRIC CO. . LTD.	APPROVED : KI. AKIYAMA	13. 12. 06	DRAWING NO. EDC3-355713-00	
		CHECKED : HK. UMEHARA	13. 12. 06	PART NO. DF57H- *S-1. 2C(15)	
		DESIGNED : YK. YAMAGUCHI	13. 12. 03	CODE NO. CL666-	
		DRAWN : YK. YAMAGUCHI	13. 12. 03		

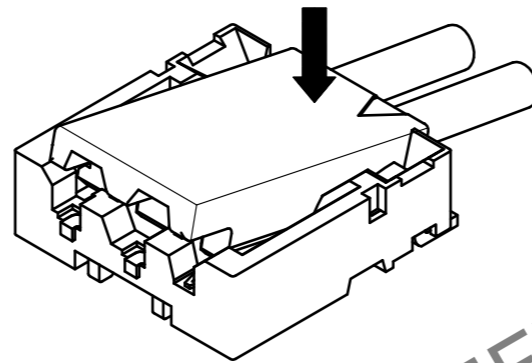
DF57 Series Mating / Unmating Operation Instruction (For DF57 series)

Mating

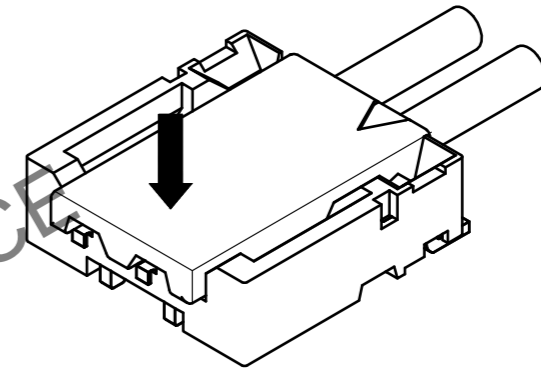
① By positioning the convexity of the socket sides to the header concavity, align the centers of the socket and the header in pitch direction.



② Slightly press the socket down at cable side to tilted angle.

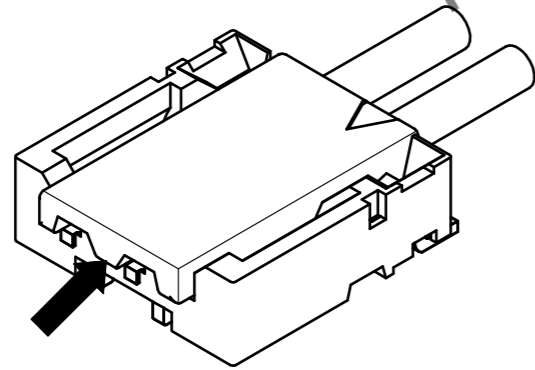


③ Press down at the lever side with stabilizing the cable side to insert. Mating completes.

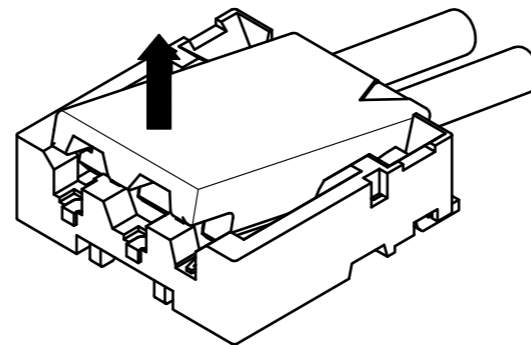


Unmating

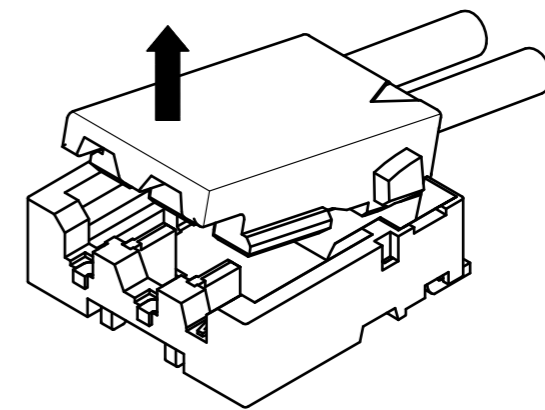
① Hook the lever with finger nail.



② Lift up to the upper direction and friction lock is released.



③ Lift up to the upper direction and positive lock is released. Removal completes.



HRS DRAWING FOR REFERENCE

HRS	DRAWING NO.	EDC3-355713-00
	PART NO.	DF57H-*S-1.2C(15)
	CODE NO.	CL666-0012-0-15
		2/2

Jan.1.2025 Copyright 2025 HIROSE ELECTRIC CO., LTD. All Rights Reserved. In case of consideration for using Automotive equipment / device which demand high reliability, kindly contact our sales window correspondents.