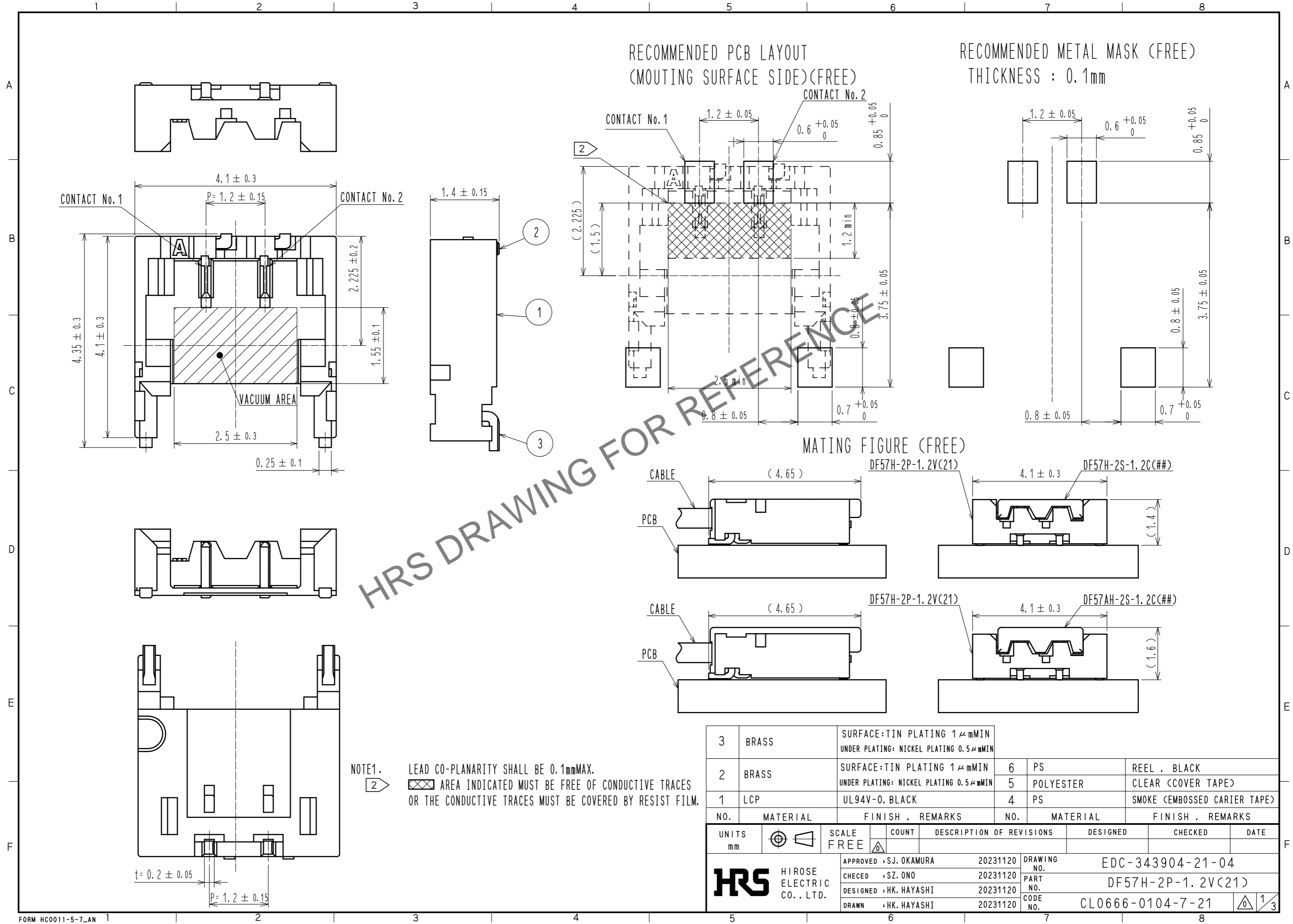


Dec.1.2024 Copyright 2024 HIROSE ELECTRIC CO., LTD. All Rights Reserved.  
 In case of consideration for using Automotive equipment / device which demand high reliability, kindly contact our sales window correspondents.

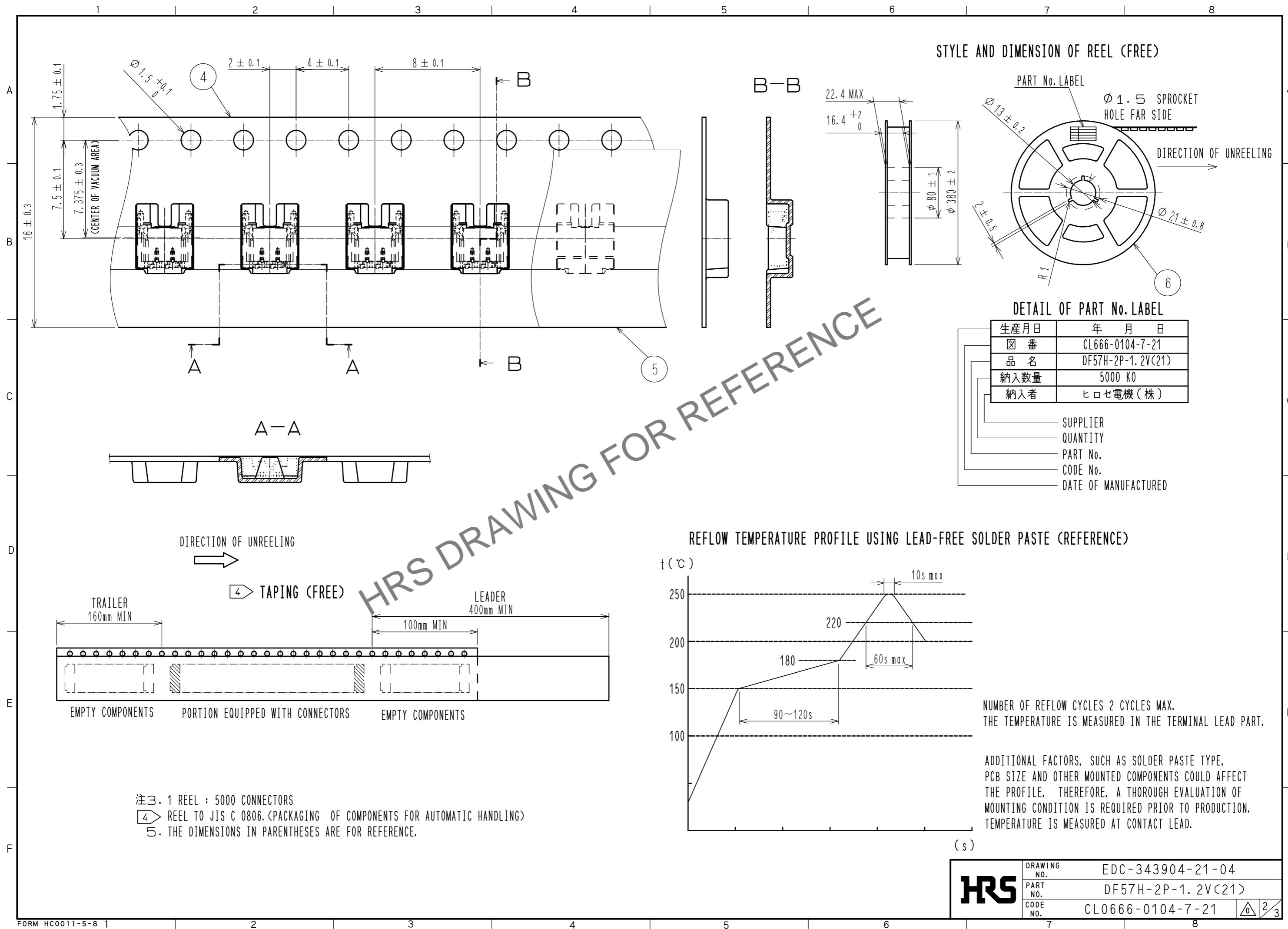


HRS DRAWING FOR REFERENCE

NOTE1. LEAD CO-PLANARITY SHALL BE 0.1mmMAX.  
 [Hatched Area Symbol] AREA INDICATED MUST BE FREE OF CONDUCTIVE TRACES OR THE CONDUCTIVE TRACES MUST BE COVERED BY RESIST FILM.

3	BRASS	SURFACE: TIN PLATING 1 μmMIN UNDER PLATING: NICKEL PLATING 0.5 μmMIN	6	PS	REEL, BLACK
2	BRASS	SURFACE: TIN PLATING 1 μmMIN UNDER PLATING: NICKEL PLATING 0.5 μmMIN	5	POLYESTER	CLEAR (COVER TAPE)
1	LCP	UL94V-0, BLACK	4	PS	SMOKE (EMBOSSED CARRIER TAPE)
NO.	MATERIAL	FINISH, REMARKS	NO.	MATERIAL	FINISH, REMARKS
UNITS: mm		SCALE: FREE	COUNT: [Symbol]		DESCRIPTION OF REVISIONS
DESIGNED		CHECKED		DATE	
APPROVED: S.J. OKAMURA		20231120		DRAWING NO. EDC-343904-21-04	
CHECKED: S.Z. ONO		20231120		PART NO. DF57H-2P-1.2V(21)	
DESIGNED: H.K. HAYASHI		20231120		CODE NO. CL0666-0104-7-21	
DRAWN: H.K. HAYASHI		20231120		[Symbol] 1/3	

Dec.1.2024 Copyright 2024 HIROSE ELECTRIC CO., LTD. All Rights Reserved.  
 In case of consideration for using Automotive equipment / device which demand high reliability, kindly contact our sales window correspondents.

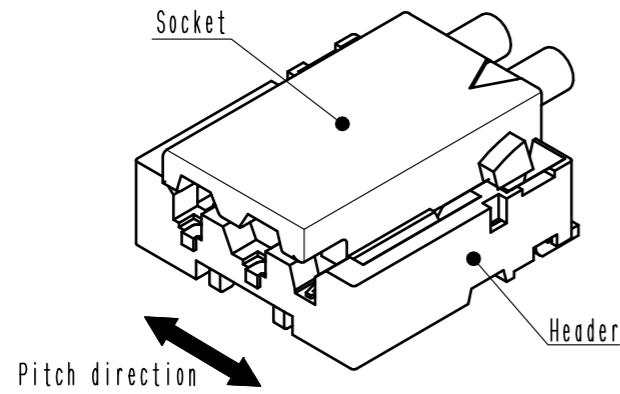


<b>HRS</b>	DRAWING NO.	EDC-343904-21-04
	PART NO.	DF57H-2P-1.2V(21)
	CODE NO.	CL0666-0104-7-21
		2/3

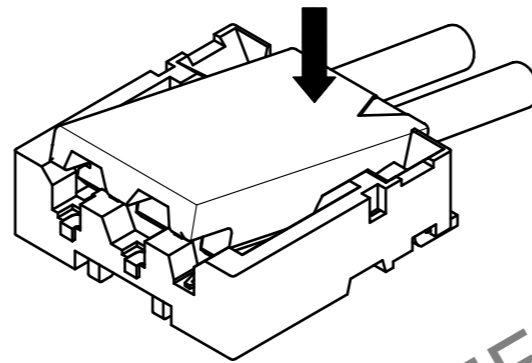
# DF57 Series Mating / Unmating Operation Instruction

## Mating

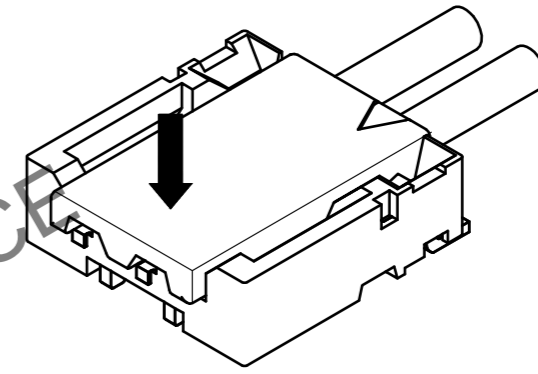
① By positioning the convexity of the socket sides to the header concavity, align the centers of the socket and the header in pitch direction.



② Slightly press the socket down at cable side to tilted angle.

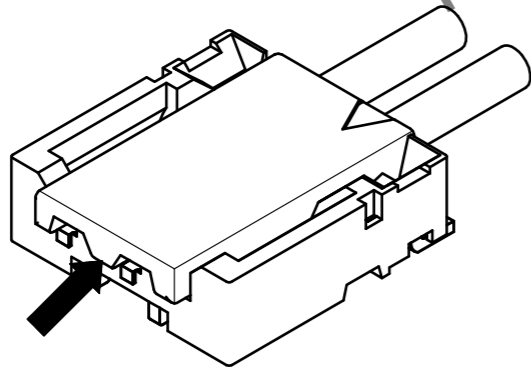


③ Press down at the lever side with stabilizing the cable side to insert. Mating completes.

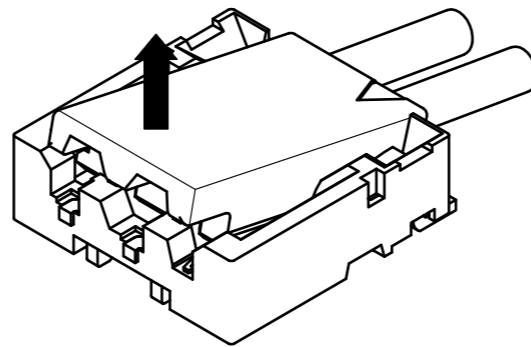


## Unmating

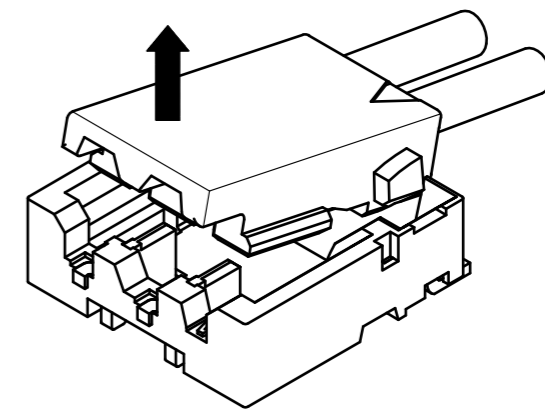
① Hook the lever with finger nail.



② Lift up to the upper direction and friction lock is released.



③ Lift up to the upper direction and positive lock is released. Removal completes.



HRS DRAWING FOR REFERENCE

<b>HRS</b>	DRAWING NO.	EDC-343904-21-04
	PART NO.	DF57H-2P-1.2V(21)
	CODE NO.	CL0666-0104-7-21

Dec.1.2024 Copyright 2024 HIROSE ELECTRIC CO., LTD. All Rights Reserved. In case of consideration for using Automotive equipment / device which demand high reliability, kindly contact our sales window correspondents.