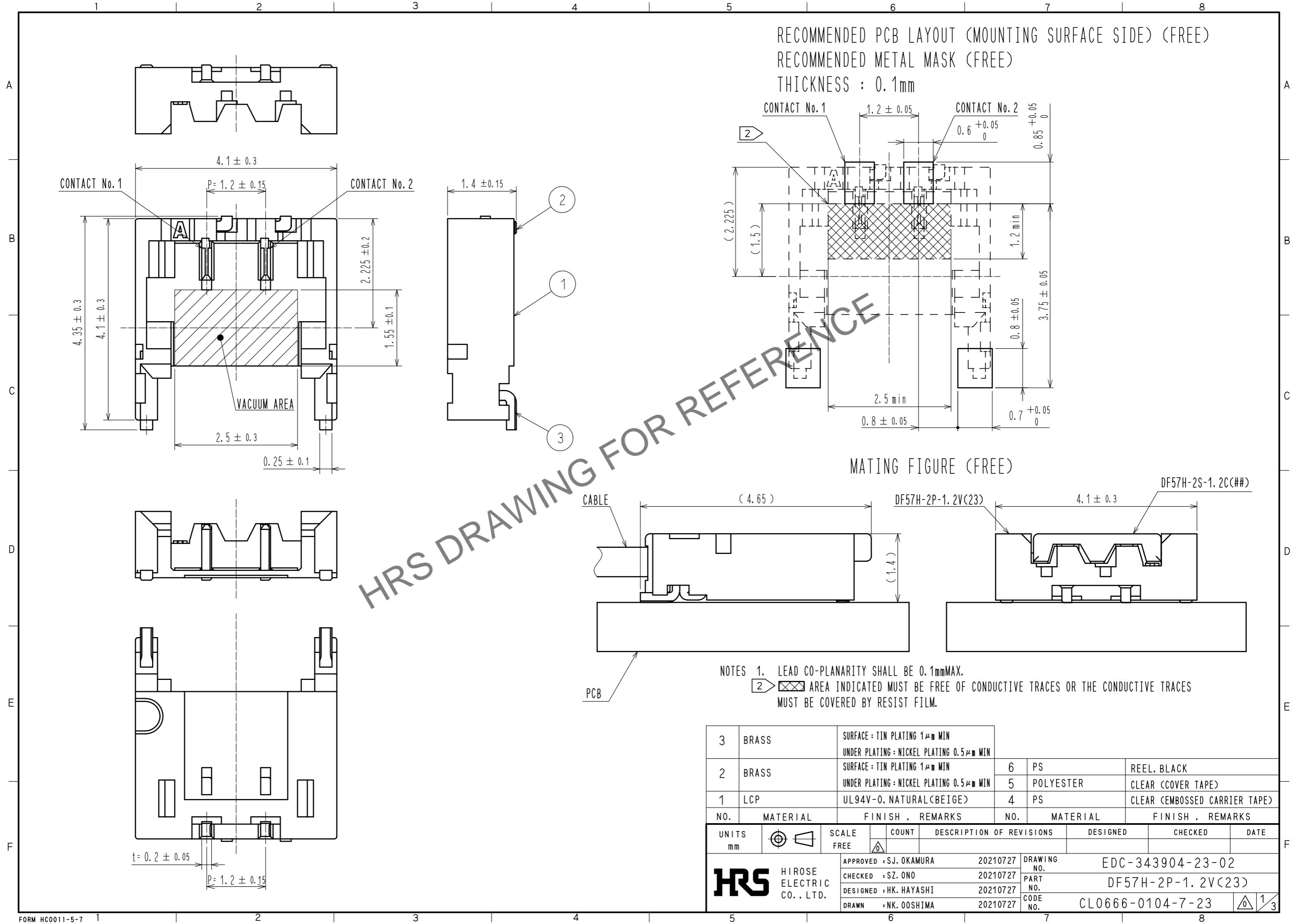
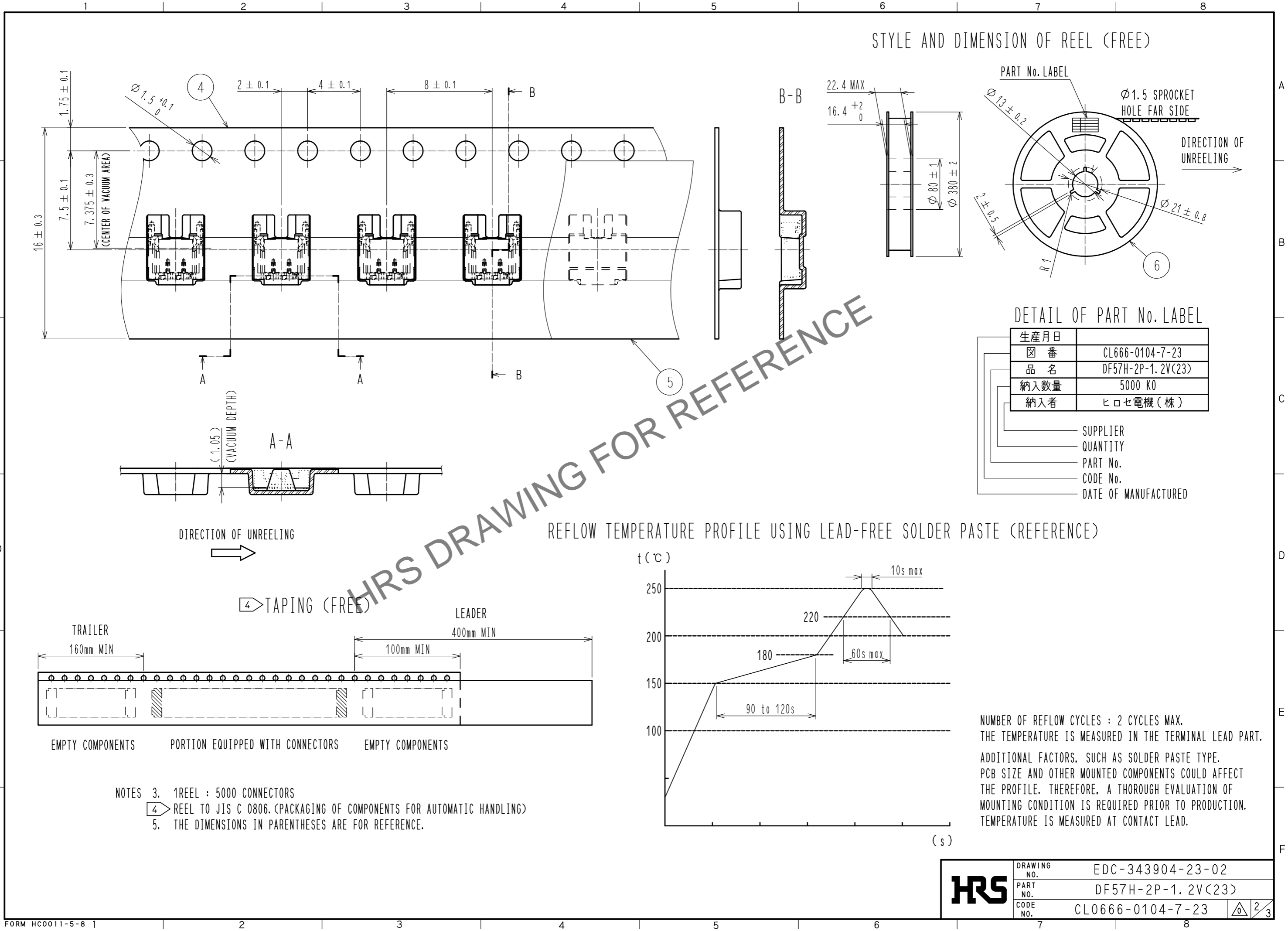


Jun.1.2024 Copyright 2024 HIROSE ELECTRIC CO., LTD. All Rights Reserved.  
In case of consideration for using Automotive equipment / device which demand high reliability, kindly contact our sales window correspondents.



3	BRASS	SURFACE : TIN PLATING 1μm MIN UNDER PLATING : NICKEL PLATING 0.5μm MIN	6	PS	REEL. BLACK
2	BRASS	SURFACE : TIN PLATING 1μm MIN UNDER PLATING : NICKEL PLATING 0.5μm MIN	5	POLYESTER	CLEAR (COVER TAPE)
1	LCP	UL94V-0. NATURAL (BEIGE)	4	PS	CLEAR (EMBOSSED CARRIER TAPE)
NO.	MATERIAL	FINISH . REMARKS	NO.	MATERIAL	FINISH . REMARKS
UNITS mm		SCALE FREE	COUNT	DESCRIPTION OF REVISIONS	
<b>HRS</b> HIROSE ELECTRIC CO., LTD.		APPROVED : SJ. OKAMURA 20210727	DRAWING NO. EDC-343904-23-02		
		CHECKED : SZ. ONO 20210727	PART NO. DF57H-2P-1.2V(23)		
		DESIGNED : HK. HAYASHI 20210727	CODE NO. CL0666-0104-7-23		
		DRAWN : NK. OOSHIMA 20210727	1/3		

Jun.1.2024 Copyright 2024 HIROSE ELECTRIC CO., LTD. All Rights Reserved.  
 In case of consideration for using Automotive equipment / device which demand high reliability, kindly contact our sales window correspondents.

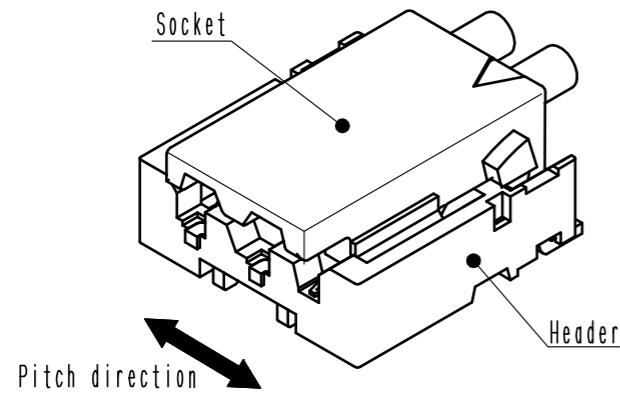


<b>HRS</b>	DRAWING NO.	EDC-343904-23-02
	PART NO.	DF57H-2P-1.2V(23)
	CODE NO.	CL0666-0104-7-23
		$\triangle$ 2/3

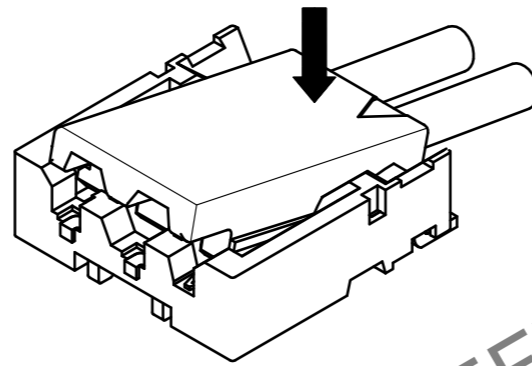
# DF57 Series Mating / Unmating Operation Instruction

## Mating

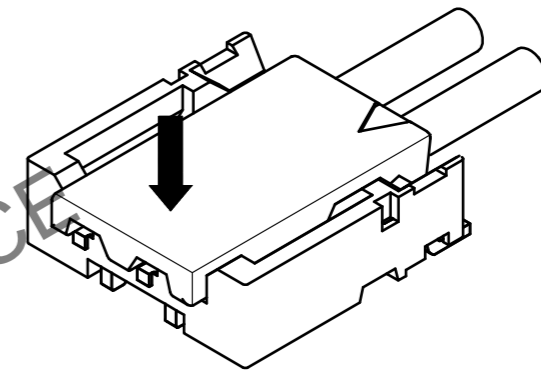
① By positioning the convexity of the socket sides to the header concavity, align the centers of the socket and the header in pitch direction.



② Slightly press the socket down at cable side to tilted angle.

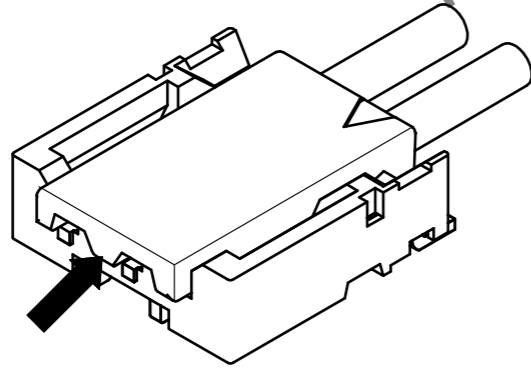


③ Press down at the lever side with stabilizing the cable side to insert. Mating completes.

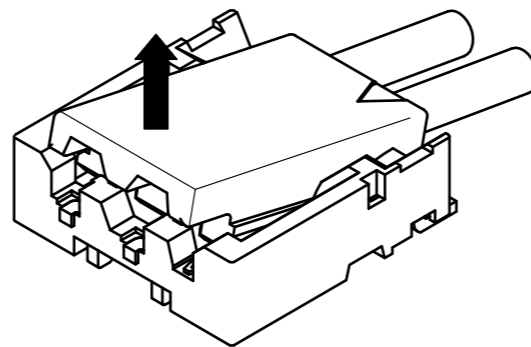


## Unmating

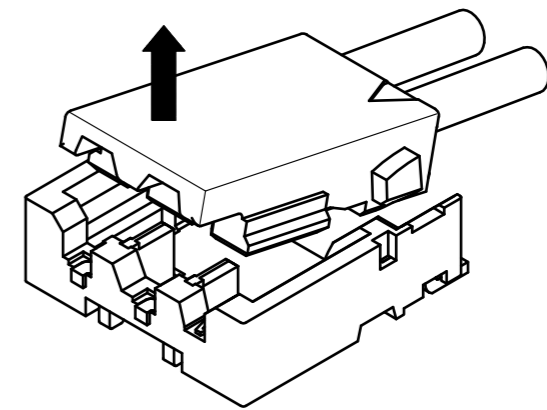
① Hook the lever with finger nail.



② Lift up to the upper direction and friction lock is released.



③ Lift up to the upper direction and positive lock is released. Removal completes.



HRS DRAWING FOR REFERENCE

<b>HRS</b>	DRAWING NO.	EDC-343904-23-02
	PART NO.	DF57H-2P-1.2V(23)
	CODE NO.	CL0666-0104-7-23

Jun.1.2024 Copyright 2024 HIROSE ELECTRIC CO., LTD. All Rights Reserved. In case of consideration for using Automotive equipment / device which demand high reliability, kindly contact our sales window correspondents.