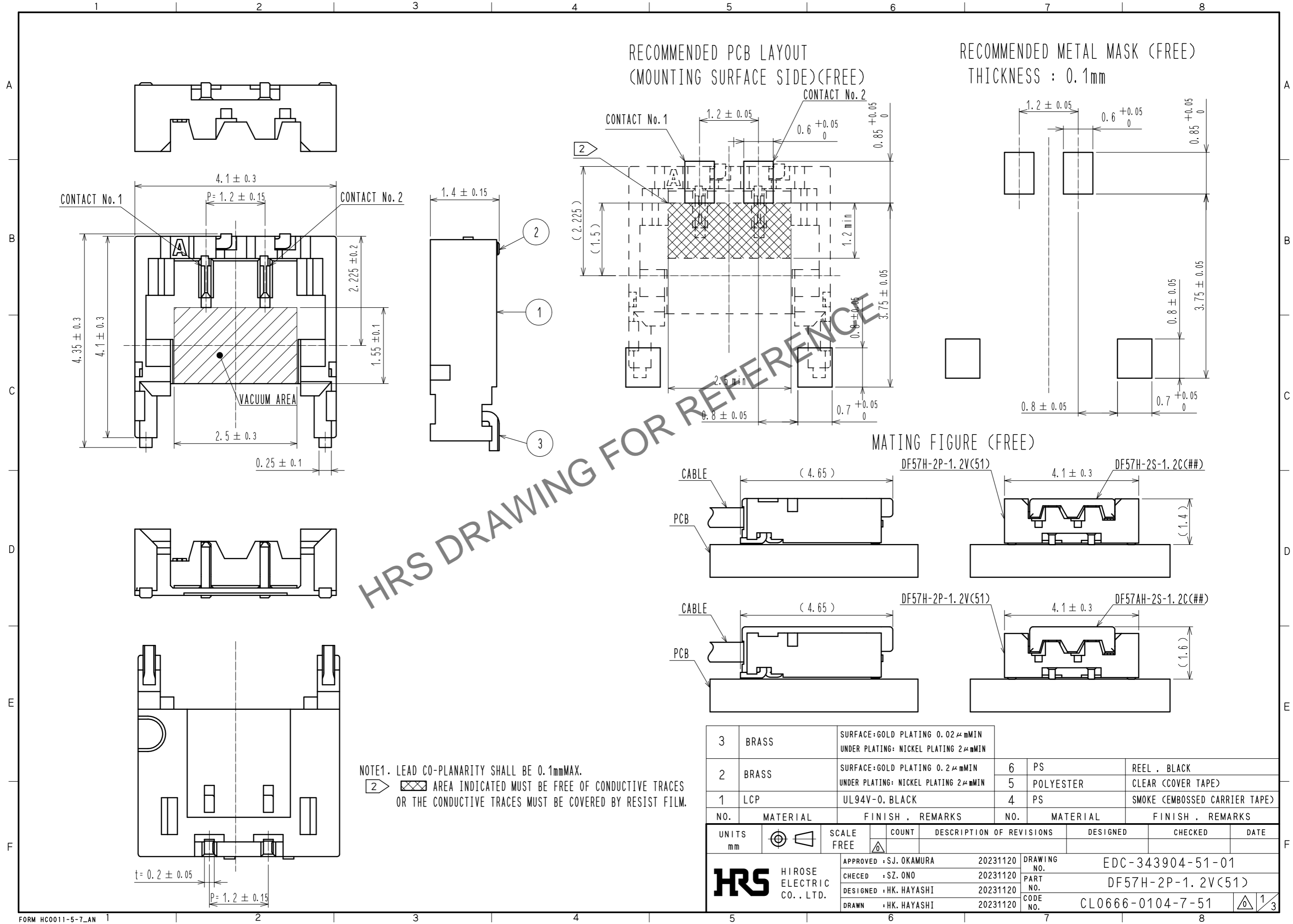


Dec.1.2024 Copyright 2024 HIROSE ELECTRIC CO., LTD. All Rights Reserved.
In case of consideration for using Automotive equipment / device which demand high reliability, kindly contact our sales window correspondents.

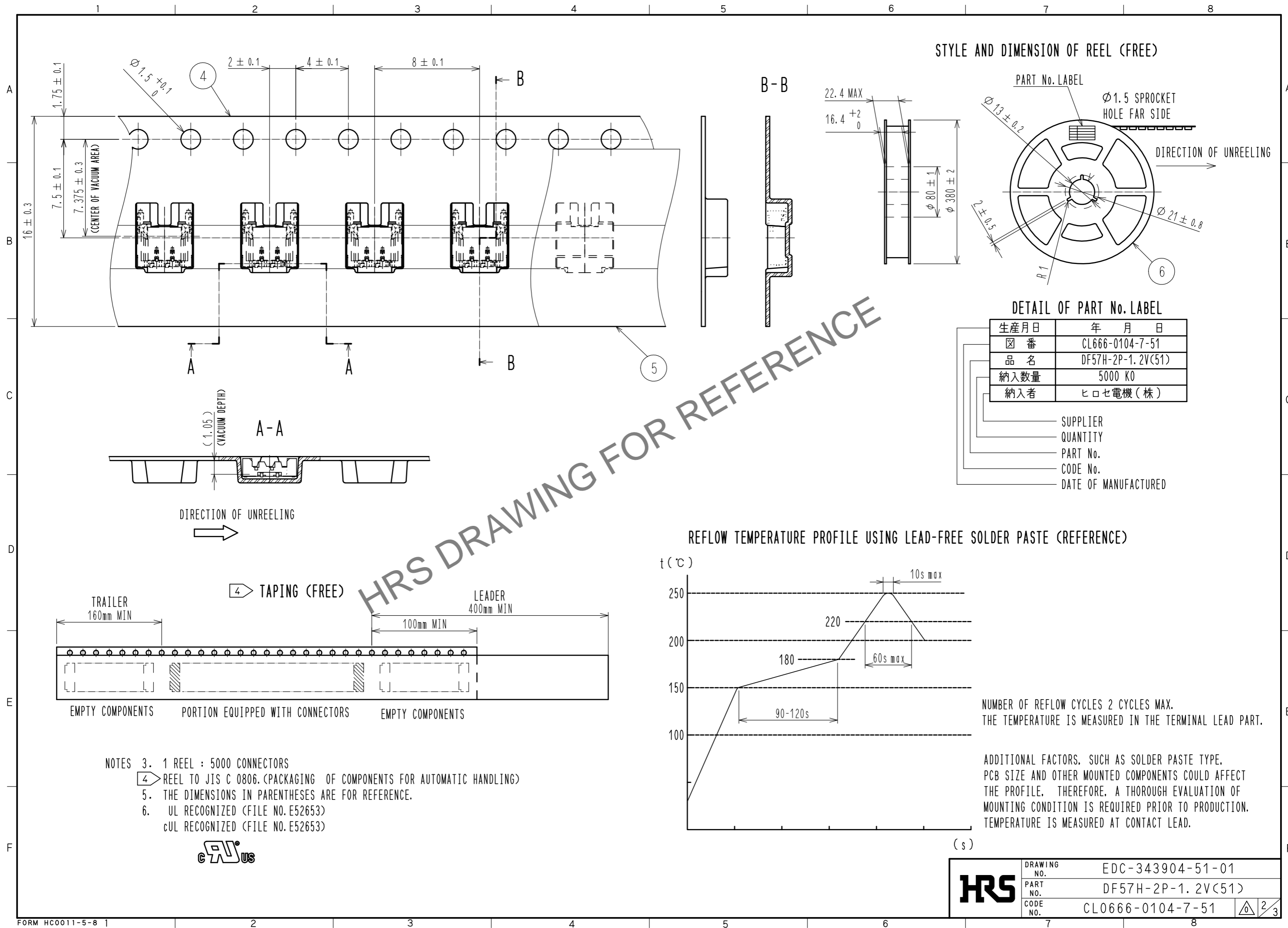


HRS DRAWING FOR REFERENCE

NOTE1. LEAD CO-PLANARITY SHALL BE 0.1mmMAX.
 2 AREA INDICATED MUST BE FREE OF CONDUCTIVE TRACES OR THE CONDUCTIVE TRACES MUST BE COVERED BY RESIST FILM.

3	BRASS	SURFACE:GOLD PLATING 0.02 μmMIN UNDER PLATING: NICKEL PLATING 2 μmMIN	6	PS	REEL . BLACK
2	BRASS	SURFACE:GOLD PLATING 0.2 μmMIN UNDER PLATING: NICKEL PLATING 2 μmMIN	5	POLYESTER	CLEAR (COVER TAPE)
1	LCP	UL94V-0, BLACK	4	PS	SMOKE (EMBOSSED CARRIER TAPE)
NO.	MATERIAL	FINISH . REMARKS	NO.	MATERIAL	FINISH . REMARKS
UNITS mm		SCALE FREE	COUNT	DESCRIPTION OF REVISIONS	
DESIGNED		CHECKED	DATE		
APPROVED : SJ. OKAMURA		20231120	DRAWING NO. EDC-343904-51-01		
CHECED : SZ. ONO		20231120	PART NO. DF57H-2P-1.2V(51)		
DESIGNED : HK. HAYASHI		20231120	CODE NO. CL0666-0104-7-51		
DRAWN : HK. HAYASHI		20231120	1/3		

Dec.1.2024 Copyright 2024 HIROSE ELECTRIC CO., LTD. All Rights Reserved.
In case of consideration for using Automotive equipment / device which demand high reliability, kindly contact our sales window correspondents.

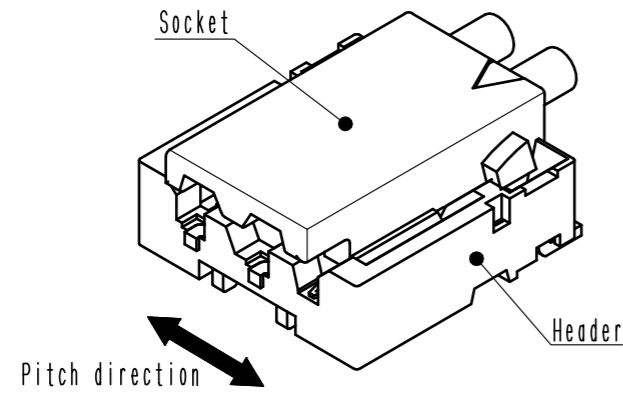


HRS	DRAWING NO.	EDC-343904-51-01
	PART NO.	DF57H-2P-1.2V(51)
	CODE NO.	CL0666-0104-7-51
		2/3

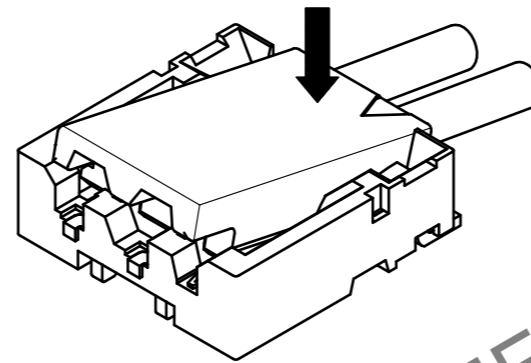
DF57 Series Mating / Unmating Operation Instruction

Mating

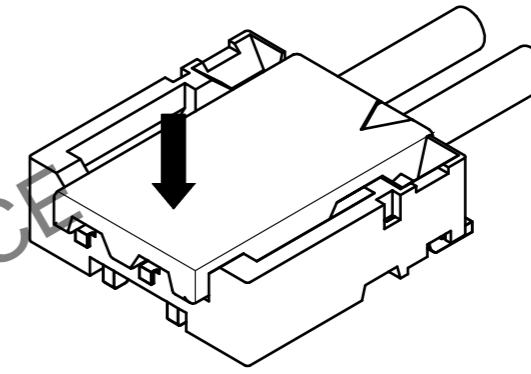
① By positioning the convexity of the socket sides to the header concavity, align the centers of the socket and the header in pitch direction.



② Slightly press the socket down at cable side to tilted angle.

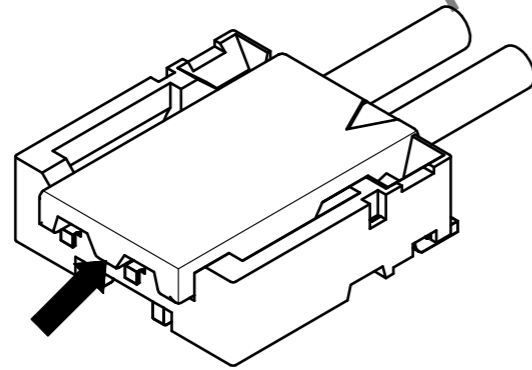


③ Press down at the lever side with stabilizing the cable side to insert. Mating completes.

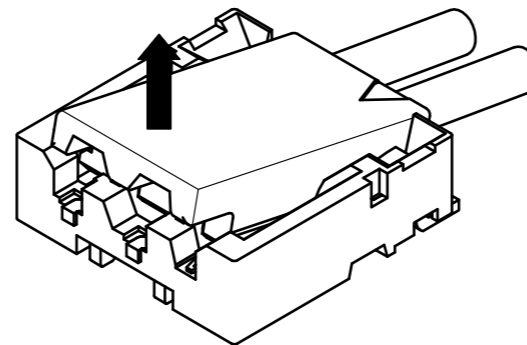


Unmating

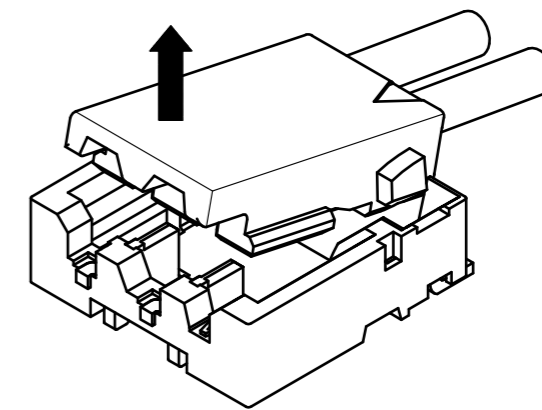
① Hook the lever with finger nail.



② Lift up to the upper direction and friction lock is released.



③ Lift up to the upper direction and positive lock is released. Removal completes.



HRS DRAWING FOR REFERENCE

HRS	DRAWING NO.	EDC-343904-51-01
	PART NO.	DF57H-2P-1.2V(51)
	CODE NO.	CL0666-0104-7-51

Dec.1.2024 Copyright 2024 HIROSE ELECTRIC CO., LTD. All Rights Reserved. In case of consideration for using Automotive equipment / device which demand high reliability, kindly contact our sales window correspondents.