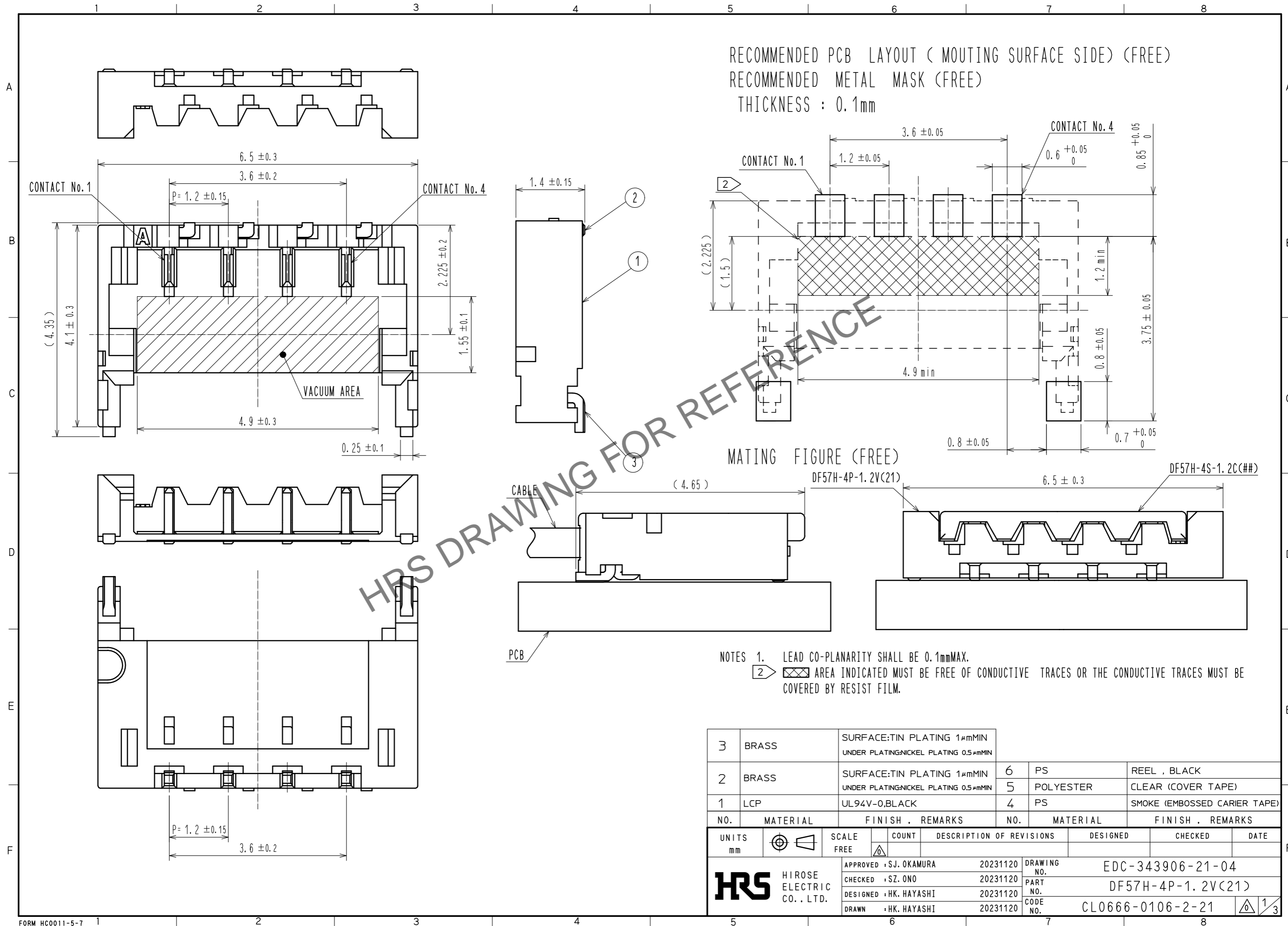


Feb.1.2025 Copyright 2025 HIROSE ELECTRIC CO., LTD. All Rights Reserved.
In case of consideration for using Automotive equipment / device which demand high reliability, kindly contact our sales window correspondents.



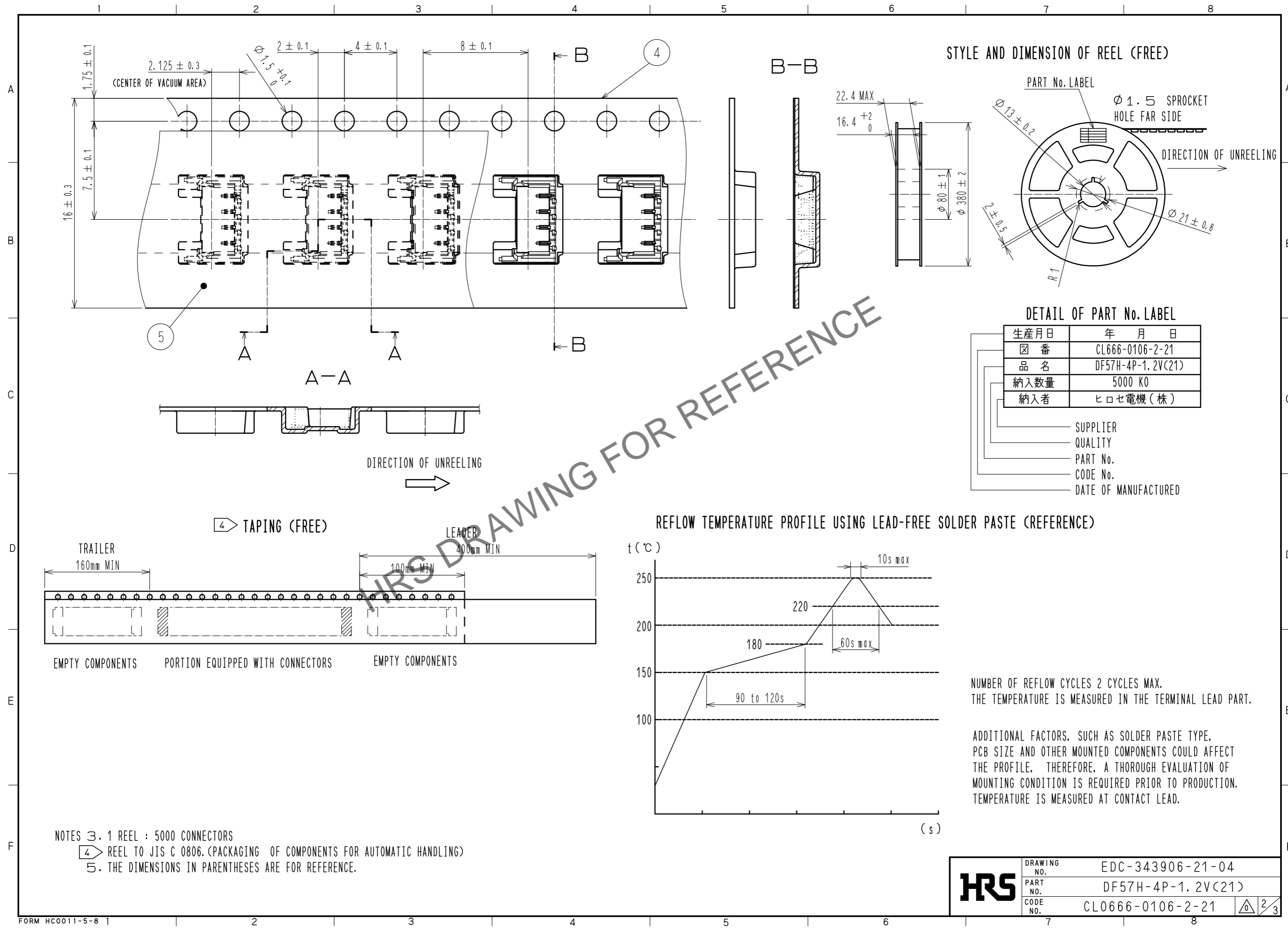
RECOMMENDED PCB LAYOUT (MOUNTING SURFACE SIDE) (FREE)
RECOMMENDED METAL MASK (FREE)
THICKNESS : 0.1mm

MATING FIGURE (FREE)

- NOTES 1. LEAD CO-PLANARITY SHALL BE 0.1mmMAX.
2. AREA INDICATED MUST BE FREE OF CONDUCTIVE TRACES OR THE CONDUCTIVE TRACES MUST BE COVERED BY RESIST FILM.

3	BRASS	SURFACE:TIN PLATING 1μmMIN UNDER PLATING:NICKEL PLATING 0.5μmMIN	6	PS	REEL , BLACK
2	BRASS	SURFACE:TIN PLATING 1μmMIN UNDER PLATING:NICKEL PLATING 0.5μmMIN	5	POLYESTER	CLEAR (COVER TAPE)
1	LCP	UL94V-0,BLACK	4	PS	SMOKE (EMBOSSD CARRIER TAPE)
NO.	MATERIAL	FINISH , REMARKS	NO.	MATERIAL	FINISH , REMARKS
UNITS		SCALE	COUNT	DESCRIPTION OF REVISIONS	
mm		FREE		DESIGNED	CHECKED
HRS HIROSE ELECTRIC CO., LTD.		APPROVED : SJ. OKAMURA 20231120	DRAWING NO. EDC-343906-21-04		
		CHECKED : SZ. ONO 20231120	PART NO. DF57H-4P-1.2V(21)		
		DESIGNED : HK. HAYASHI 20231120	CODE NO. CL0666-0106-2-21		
		DRAWN : HK. HAYASHI 20231120	1/3		

Feb.1.2025 Copyright 2025 HIROSE ELECTRIC CO., LTD. All Rights Reserved.
In case of consideration for using Automotive equipment / device which demand high reliability, kindly contact our sales window correspondents.

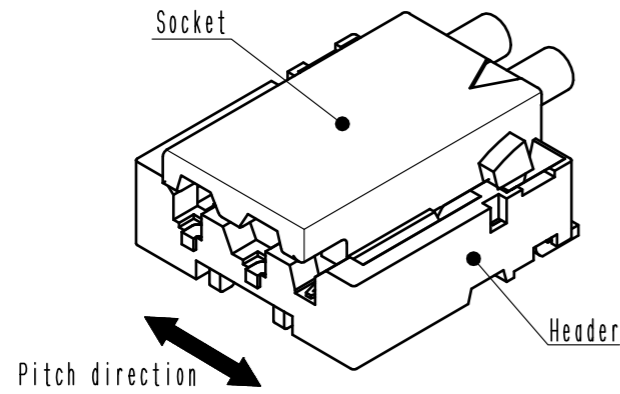


HRS	DRAWING NO.	EDC-343906-21-04
	PART NO.	DF57H-4P-1.2V(C21)
	CODE NO.	CL0666-0106-2-21
		2/3

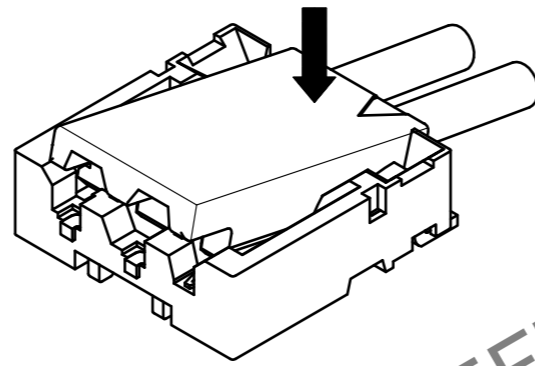
DF57 Series Mating / Unmating Operation Instruction

Mating

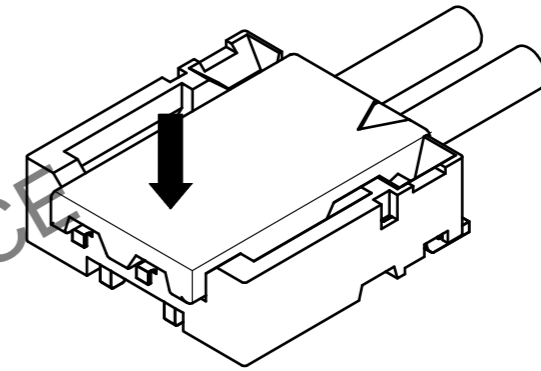
① By positioning the convexity of the socket sides to the header concavity, align the centers of the socket and the header in pitch direction.



② Slightly press the socket down at cable side to tilted angle.

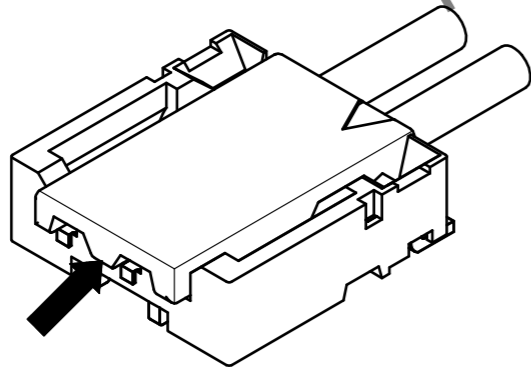


③ Press down at the lever side with stabilizing the cable side to insert. Mating completes.

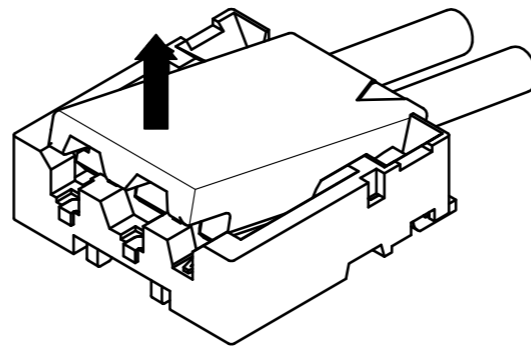


Unmating

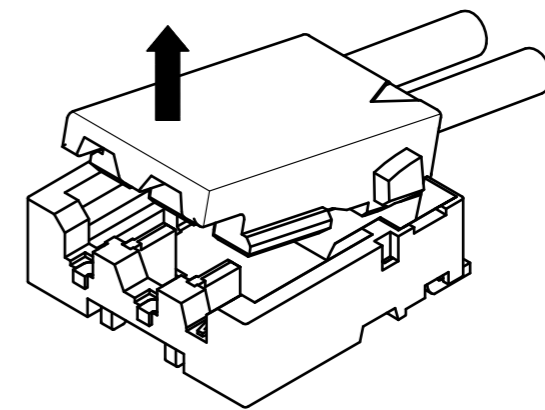
① Hook the lever with finger nail.



② Lift up to the upper direction and friction lock is released.



③ Lift up to the upper direction and positive lock is released. Removal completes.



HRS DRAWING FOR REFERENCE

HRS	DRAWING NO.	EDC-343906-21-04
	PART NO.	DF57H-4P-1.2V(21)
	CODE NO.	CL0666-0106-2-21
		3/3

Feb.1.2025 Copyright 2025 HIROSE ELECTRIC CO., LTD. All Rights Reserved. In case of consideration for using Automotive equipment / device which demand high reliability, kindly contact our sales window correspondents.