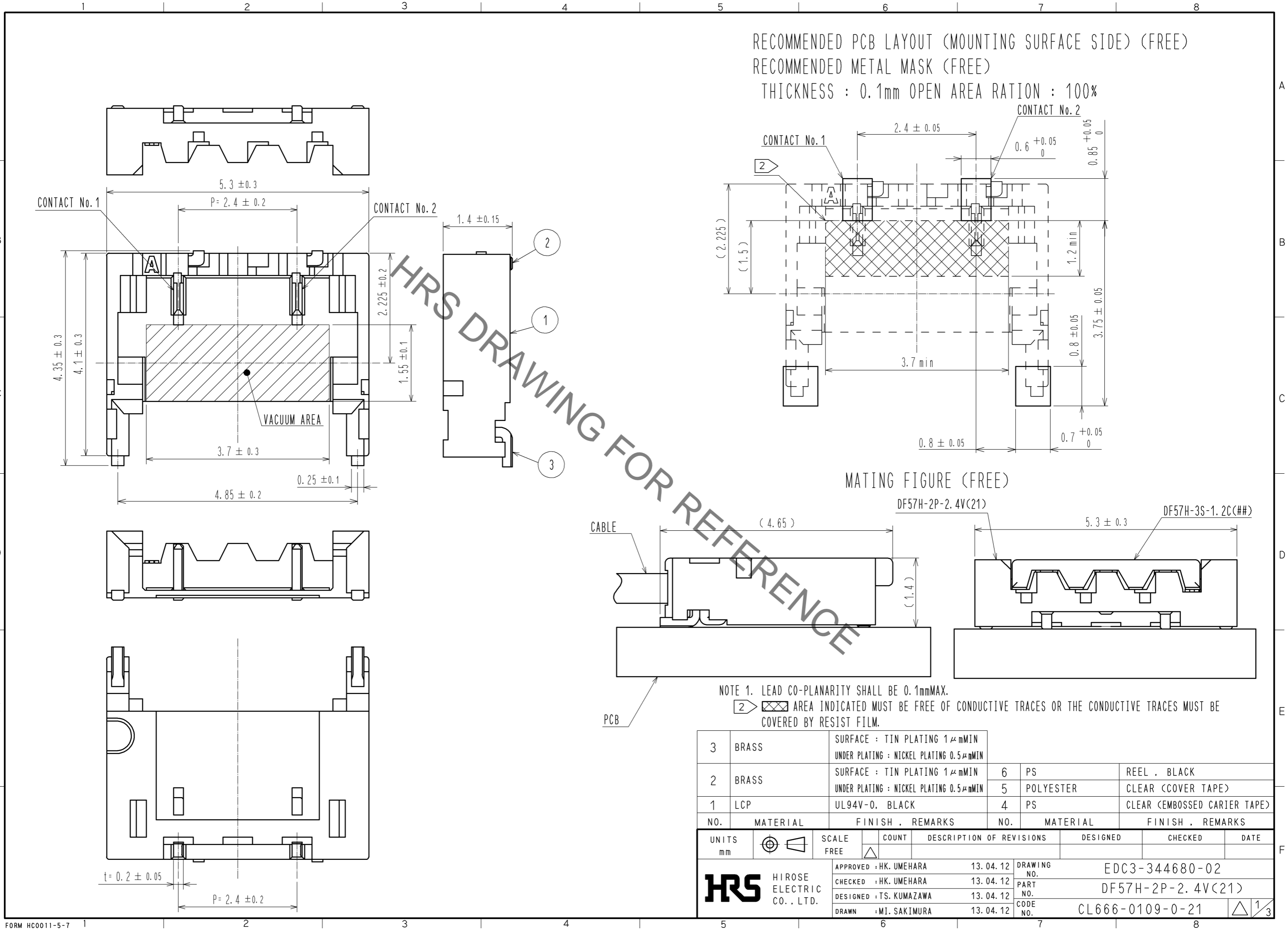


Nov.1.2021 Copyright 2021 HIROSE ELECTRIC CO., LTD. All Rights Reserved.
In case of consideration for using Automotive equipment / device which demand high reliability, kindly contact our sales window correspondents.



RECOMMENDED PCB LAYOUT (MOUNTING SURFACE SIDE) (FREE)
RECOMMENDED METAL MASK (FREE)
THICKNESS : 0.1mm OPEN AREA RATION : 100%

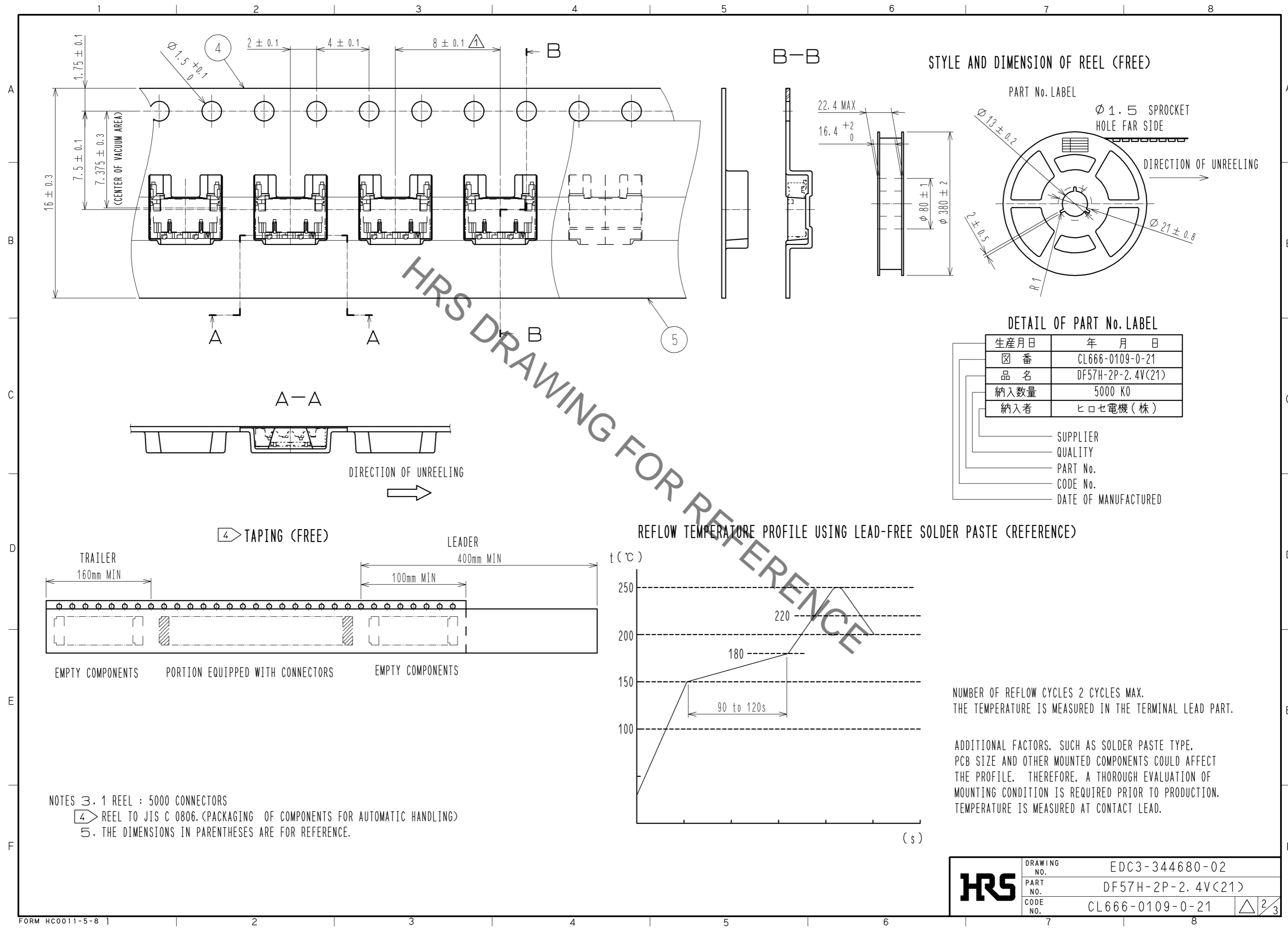
MATING FIGURE (FREE)

NOTE 1. LEAD CO-PLANARITY SHALL BE 0.1mmMAX.
② AREA INDICATED MUST BE FREE OF CONDUCTIVE TRACES OR THE CONDUCTIVE TRACES MUST BE COVERED BY RESIST FILM.

3	BRASS	SURFACE : TIN PLATING 1μmMIN UNDER PLATING : NICKEL PLATING 0.5μmMIN	6	PS	REEL . BLACK
2	BRASS	SURFACE : TIN PLATING 1μmMIN UNDER PLATING : NICKEL PLATING 0.5μmMIN	5	POLYESTER	CLEAR (COVER TAPE)
1	LCP	UL94V-0, BLACK	4	PS	CLEAR (EMBOSSED CARRIER TAPE)
NO.	MATERIAL	FINISH . REMARKS	NO.	MATERIAL	FINISH . REMARKS

UNITS mm		SCALE FREE	COUNT 	DESCRIPTION OF REVISIONS	DESIGNED	CHECKED	DATE
HRS HIROSE ELECTRIC CO., LTD.		APPROVED : HK. UMEHARA	13.04.12	DRAWING NO.	EDC3-344680-02		
		CHECKED : HK. UMEHARA	13.04.12	PART NO.	DF57H-2P-2.4V(21)		
		DESIGNED : TS. KUMAZAWA	13.04.12	CODE NO.	CL666-0109-0-21		
		DRAWN : MI. SAKIMURA	13.04.12		1/3		

Nov.1.2021 Copyright 2021 HIROSE ELECTRIC CO., LTD. All Rights Reserved.
 In case of consideration for using Automotive equipment / device which demand high reliability, kindly contact our sales window correspondents.

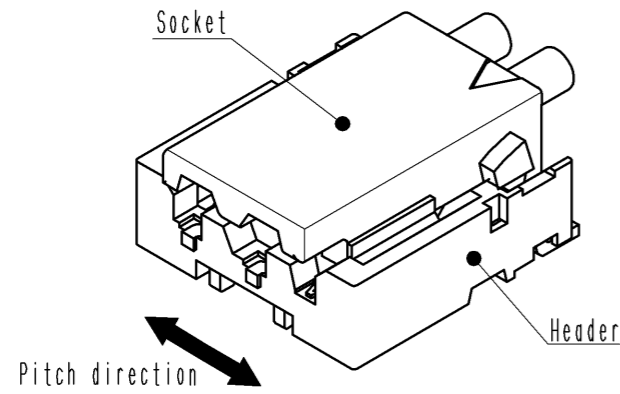


HRS	DRAWING NO.	EDC3-344680-02
	PART NO.	DF57H-2P-2.4V(21)
	CODE NO.	CL666-0109-0-21
		△ 2/3

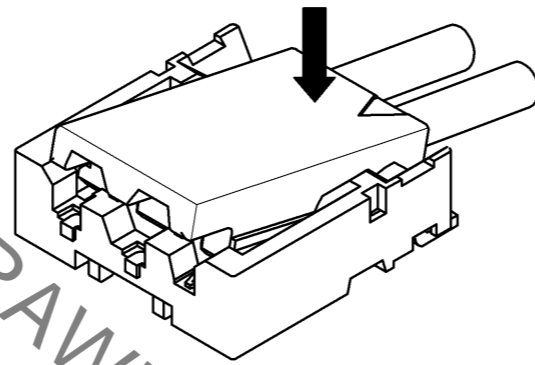
DF57 Series Mating / Unmating Operation Instruction

Mating

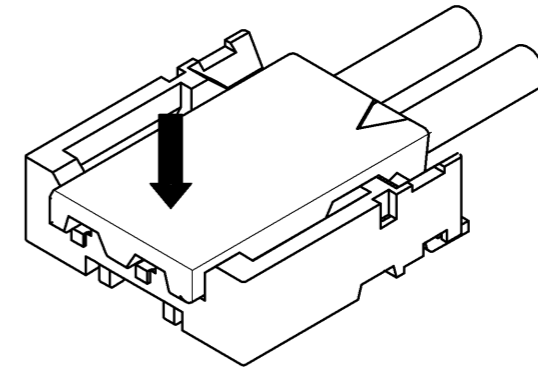
① By positioning the convexity of the socket sides to the header concavity, align the centers of the socket and the header in pitch direction.



② Slightly press the socket down at cable side to tilted angle.

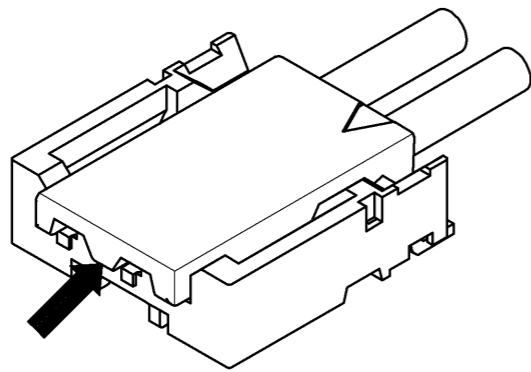


③ Press down at the lever side with stabilizing the cable side to insert. Mating completes.

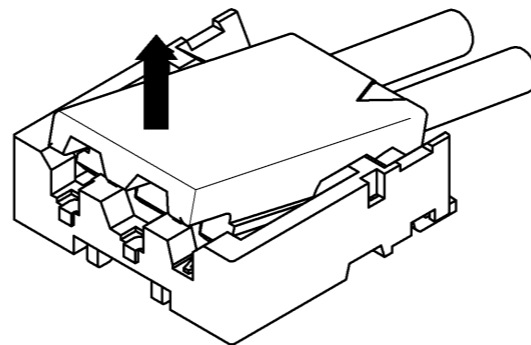


Unmating

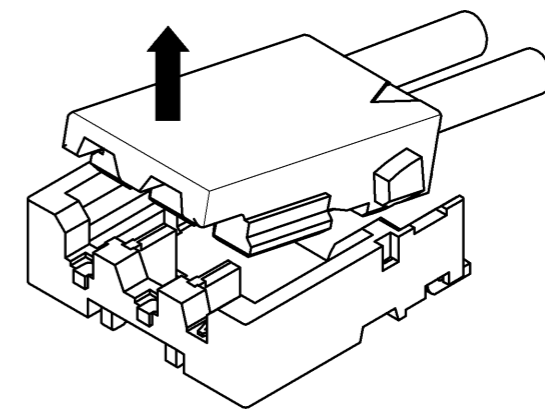
① Hook the lever with finger nail.



② Lift up to the upper direction and friction lock is released.



③ Lift up to the upper direction and positive lock is released. Removal completes.



HRS DRAWING FOR REFERENCE

HRS	DRAWING NO.	EDC3-344680-02
	PART NO.	DF57H-2P-2.4V(21)
	CODE NO.	CL666-0109-0-21
		△ 3/3

Nov.1.2021 Copyright 2021 HIROSE ELECTRIC CO., LTD. All Rights Reserved. In case of consideration for using Automotive equipment / device which demand high reliability, kindly contact our sales window correspondents.