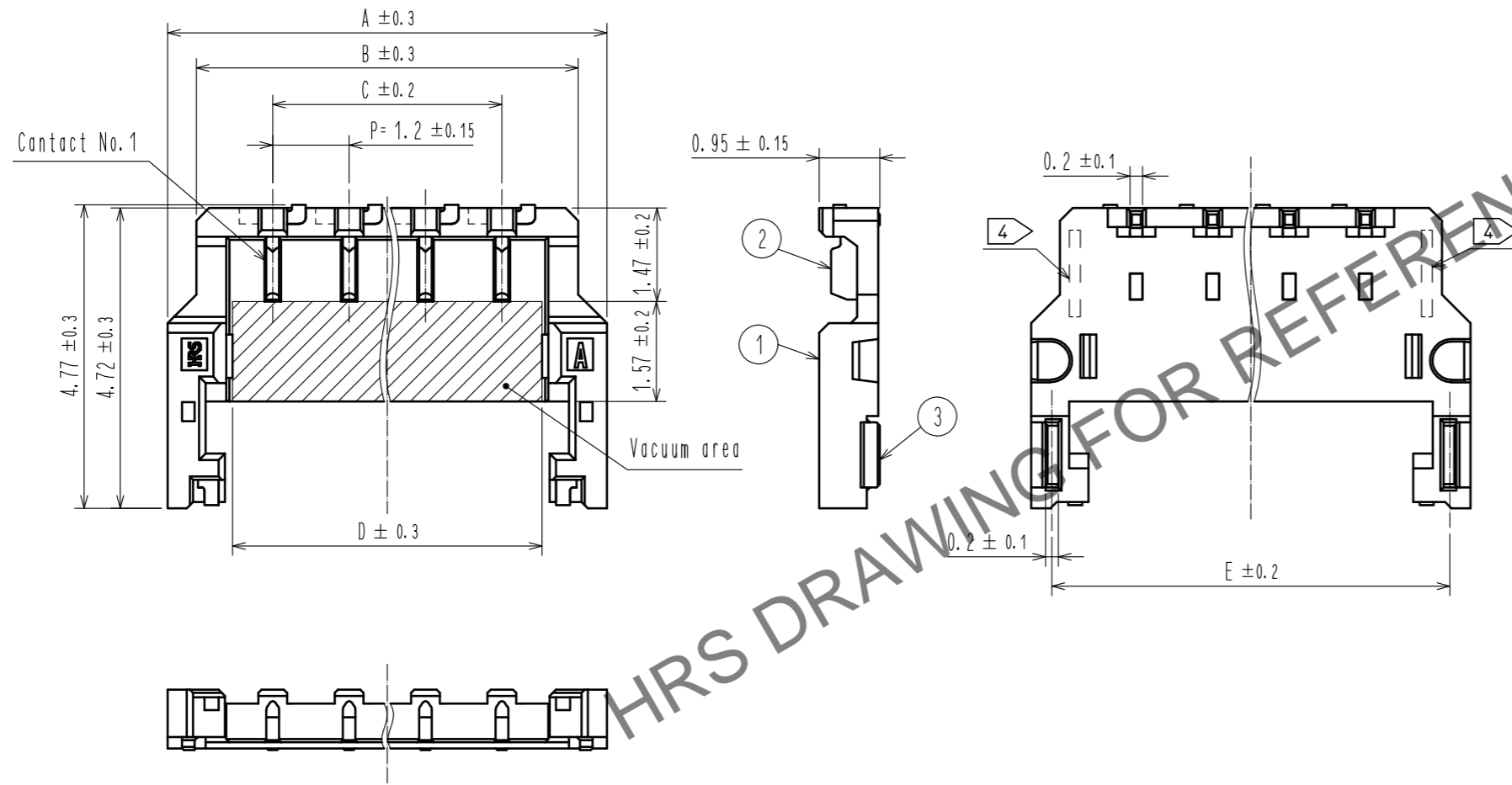
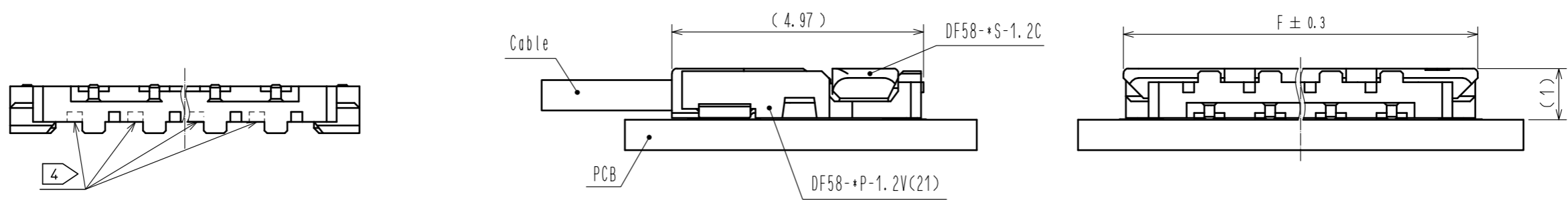
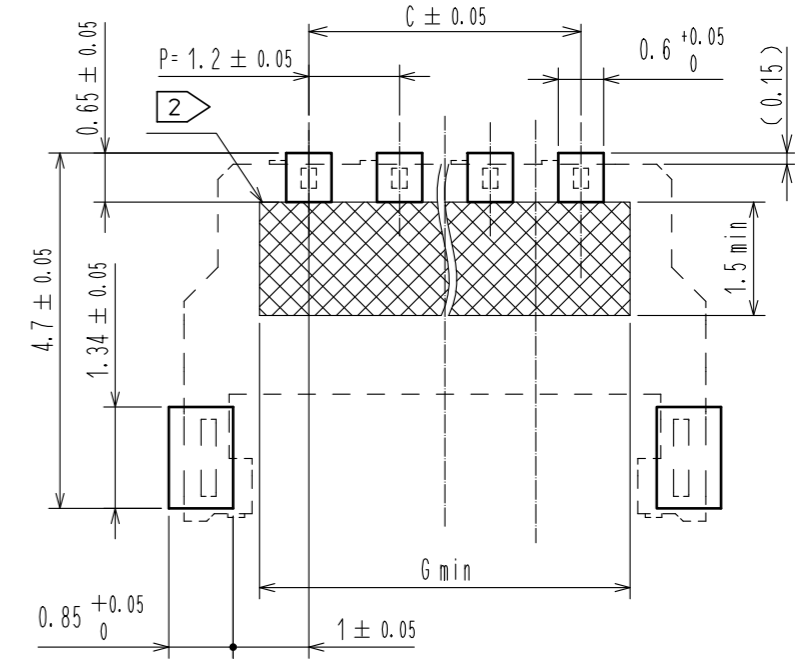


Dec.1.2024 Copyright 2024 HIROSE ELECTRIC CO., LTD. All Rights Reserved.  
 In case of consideration for using Automotive equipment / device which demand high reliability, kindly contact our sales window correspondents.

Mating figure



Recommended PCB layout  
 Recommended metal mask (Thickness : 0.1mm)



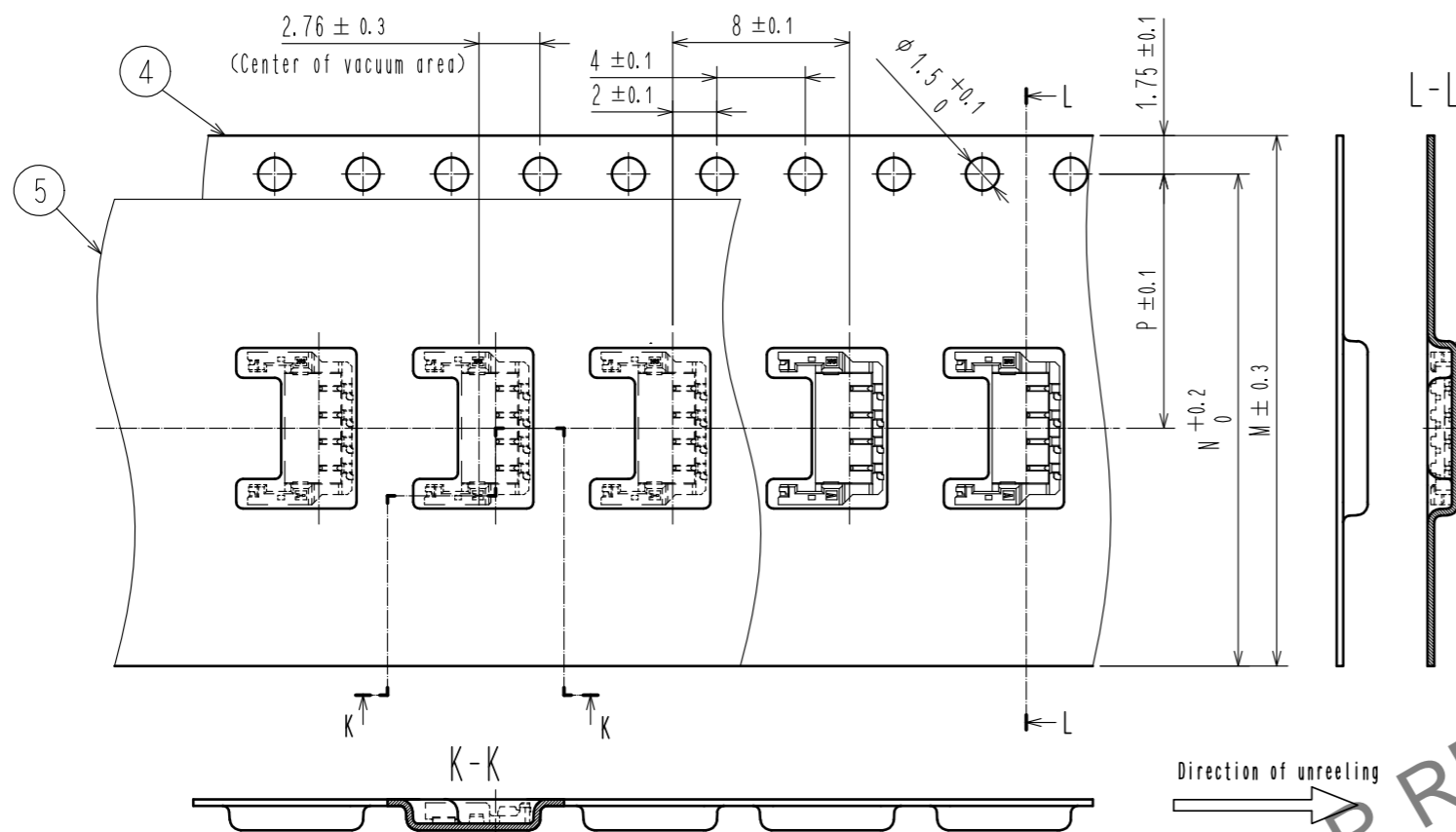
CODE No.	PART No.	NUMBER OF CONTACTS	A	B	C	D	E	F	G
CL666-1001-0-00	DF58-2P-1.2V(21)	2	4.5	3.6	1.2	2.4	3.85	4.6	2.5
CL666-1002-0-00	DF58-3P-1.2V(21)	3	5.7	4.8	2.4	3.6	5.05	5.8	3.7
CL666-1003-0-00	DF58-4P-1.2V(21)	4	6.9	6.0	3.6	4.8	6.25	7.0	4.9
CL666-1005-0-00	DF58-6P-1.2V(21)	6	9.3	8.4	6.0	7.2	8.65	9.4	7.3

- Notes
- Lead co-planarity shall be 0.1mm MAX.
  - area indicated must be free of conductive traces or the conductive traces must be covered by resist film.
  - Please consult hirose when the product is monuted to FPC.
  - Only for DF58-6P-1.2V(##), lightening hole in the indicated area .

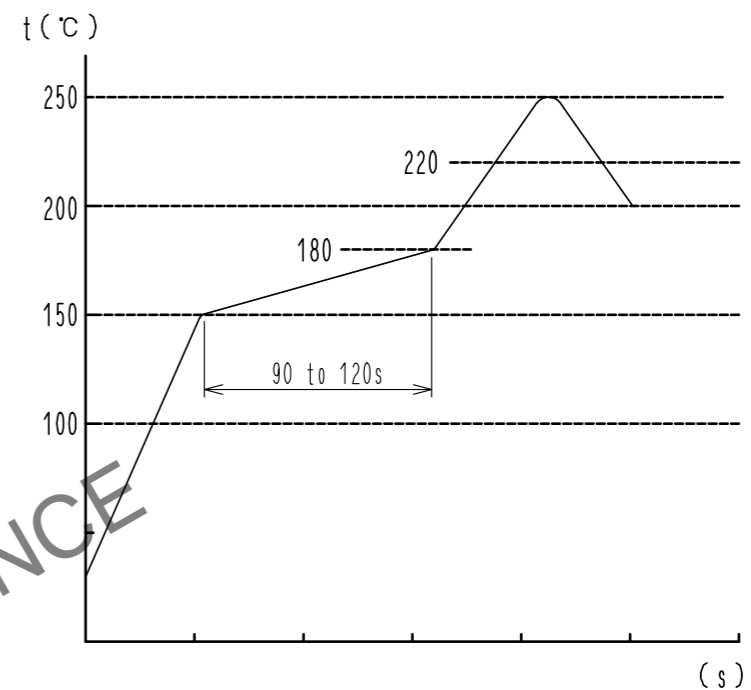
3	Copper alloy	Surface : Tin plating 1 μm MIN Under plating : Nickel plating 0.5 μm MIN					
2	Copper alloy	Surface : Tin plating 1 μm MIN Under plating : Nickel plating 0.5 μm MIN	6	PS	Reel . Black		
1	LCP	UL94V-0, Black	5	Polyester	Clear [Cover tape]		
			4	PS	Clear [Embossed carrier tape]		
NO.	MATERIAL	FINISH . REMARKS	NO.	MATERIAL	FINISH . REMARKS		
UNITS		SCALE	COUNT	DESCRIPTION OF REVISIONS		DESIGNED	CHECKED
mm		10 : 1	1	DIS-H-00018928		SS. YAMASAKI	SZ. ONO
<b>HRS</b> HIROSE ELECTRIC CO., LTD.		APPROVED : HS. OKAWA	20160622	DRAWING NO.		EDC-371175-00-00	
		CHECKED : YN. TAKASHITA	20160621	PART NO.		DF58-*P-1.2V(21)	
		DESIGNED : TH. YOSHIZAWA	20160621	CODE NO.		CL666-	
		DRAWN : TH. YOSHIZAWA	20160621				

Dec.1.2024 Copyright 2024 HIROSE ELECTRIC CO., LTD. All Rights Reserved.  
 In case of consideration for using Automotive equipment / device which demand high reliability, kindly contact our sales window correspondents.

Drawing for packing (FREE)



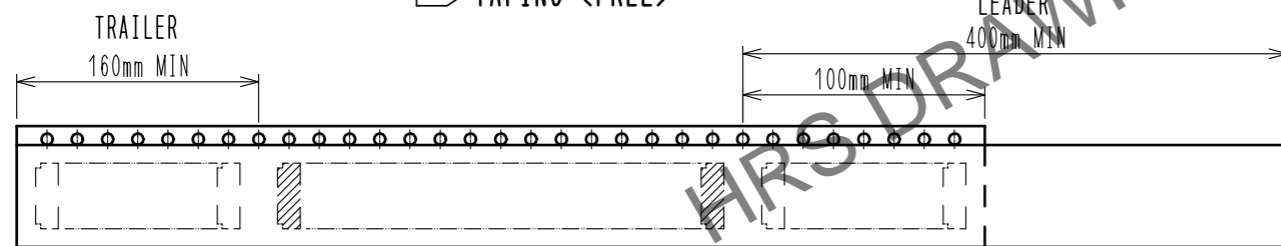
Reflow temperature profile using lead-free solder paste (Reference)



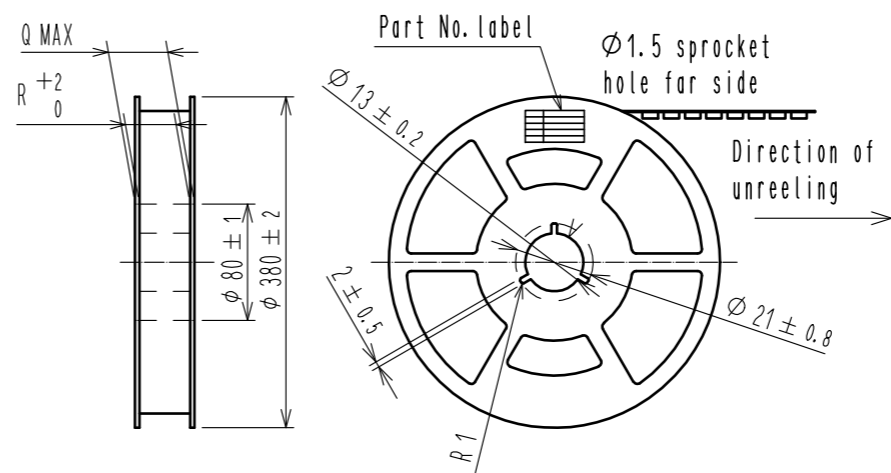
Number of reflow cycles 2 cycles max.  
 The temperature is measured in the terminal lead part.

Additional factors, such as solder paste type, PCB size and other mounted components could affect the profile, therefore, a thorough evaluation of mounting condition is required prior to production. Temperature is measured at contact lead.

6 TAPING (FREE)



Style and dimension of reel (Free)



△ Detail of part No. label

ロットNo.	230728-1-01
図番	CL666-****-21
品名	DF58-*P-1.2V(21)
納入数量	6000 KO
納入者	ヒロセ電機(株)

Supplier  
 Quantity  
 Part No.  
 Code No.  
 (ex.) 230728-1-01  
 Product Number  
 Line No.  
 2023/7/28

CODE No.	PART No.	NUMBER OF CONTACTS	M	N	P	Q	R
CL666-1001-0-00	DF58-2P-1.2V(21)	2	16.0	14.25	7.5	22.4	16.4
CL666-1002-0-00	DF58-3P-1.2V(21)	3	16.0	14.25	7.5	22.4	16.4
CL666-1003-0-00	DF58-4P-1.2V(21)	4	24.0	22.25	11.5	30.4	24.4
CL666-1005-0-00	DF58-6P-1.2V(21)	6	24.0	22.25	11.5	30.4	24.4

NOTES 5. 1 reel : 6000 connectors  
 6 Reel to JIS C 0806. (Packaging of components for automatic handling)  
 7. The dimensions in parentheses are for reference.

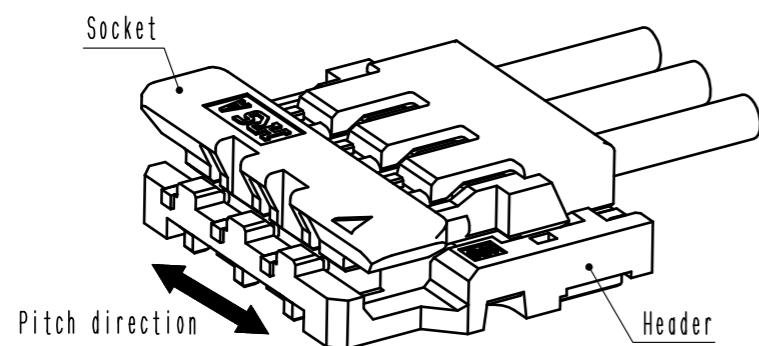
**HRS** DRAWING NO. EDC-371175-00-00  
 PART NO. DF58-\*P-1.2V(21)  
 CODE NO. CL666- 2/3

Dec.1.2024 Copyright 2024 HIROSE ELECTRIC CO., LTD. All Rights Reserved.  
In case of consideration for using Automotive equipment / device which demand high reliability, kindly contact our sales window correspondents.

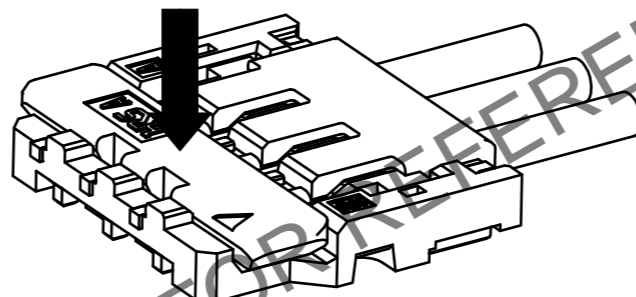
# DF58 Series Mating / Unmating Operation Instruction

## Mating

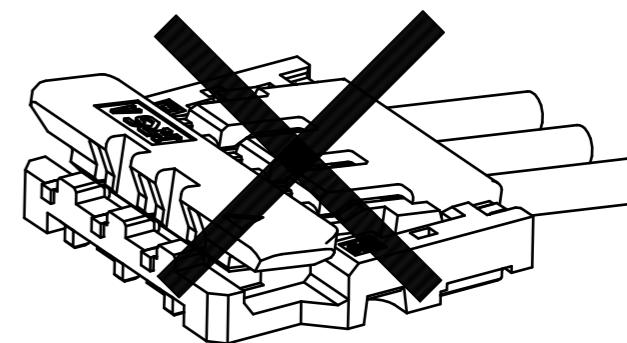
① By positioning the convexity of the socket sides to the header concavity, align the centers of the socket and the header in pitch direction.



② Slightly press the socket down at the center of the socket.

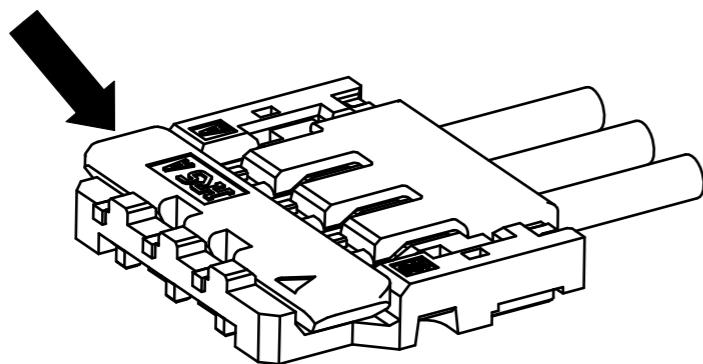


③ Press down at the lever side with stabilizing the cable side to insert. Mating completes.

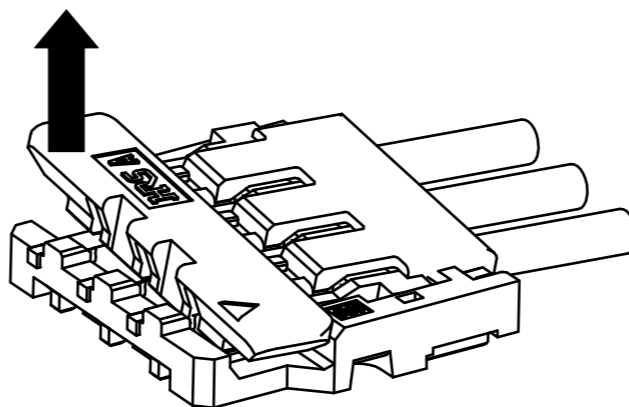


## Unmating

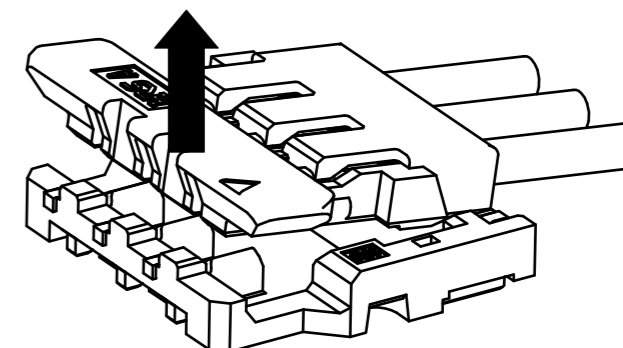
① Hook the lever with finger nail.  
(Possible with one side)



② Lift up to the upper direction and friction lock is released.



③ Lift it up to the upper direction more.  
and removal completes.



HRS DRAWING FOR REFERENCE



DRAWING NO.	EDC-371175-00-00
PART NO.	DF58-*P-1.2V(21)
CODE NO.	CL666-