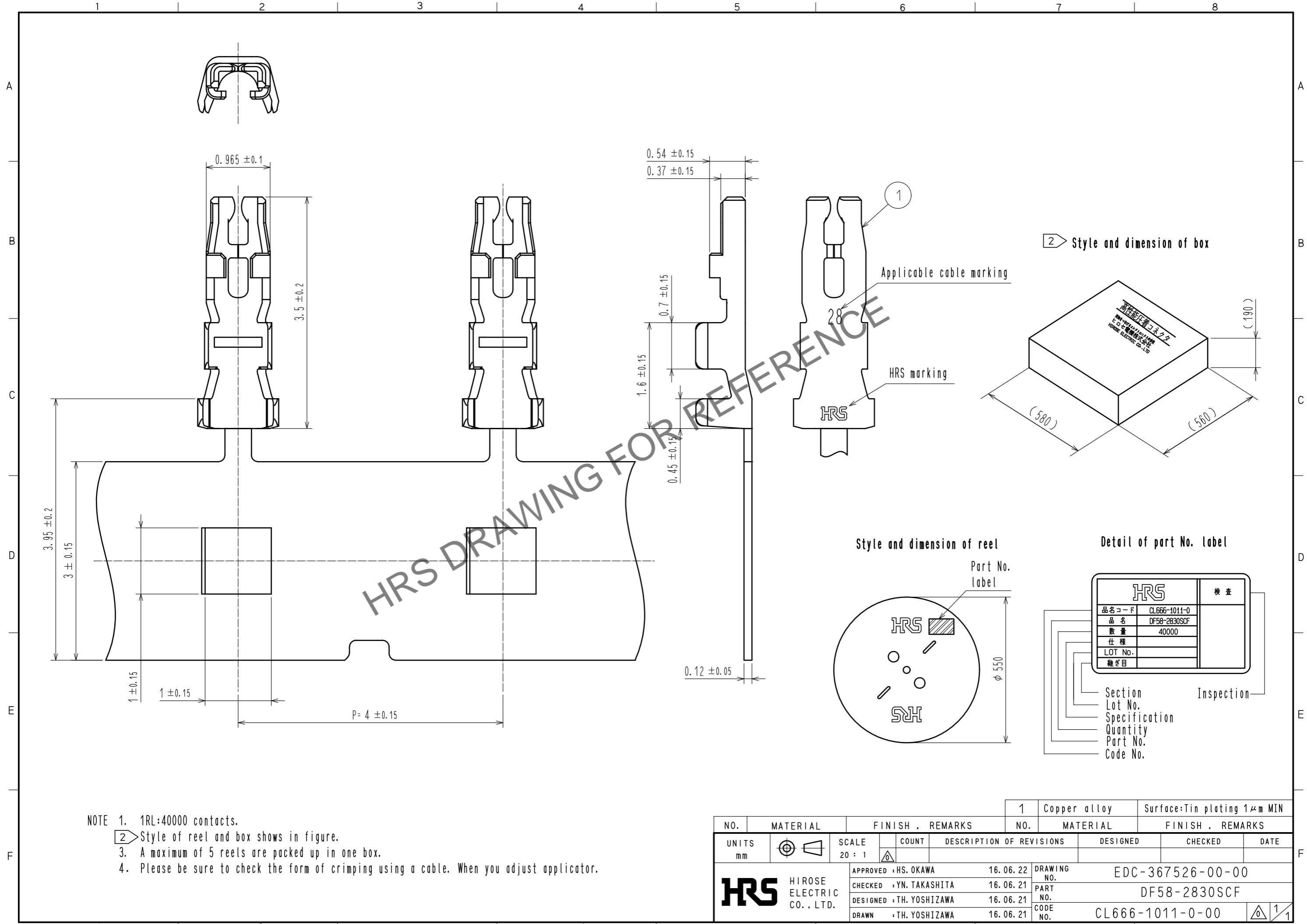


Dec.1.2024 Copyright 2024 HIROSE ELECTRIC CO., LTD. All Rights Reserved.  
 In case of consideration for using Automotive equipment / device which demand high reliability, kindly contact our sales window correspondents.



- NOTE
- 1RL:40000 contacts.
  - Style of reel and box shows in figure.
  - A maximum of 5 reels are packed up in one box.
  - Please be sure to check the form of crimping using a cable. When you adjust applicator.

NO.	MATERIAL	FINISH . REMARKS	NO.	MATERIAL	FINISH . REMARKS
1	Copper alloy	Surface:Tin plating 1μm MIN			

UNITS	SCALE	COUNT	DESCRIPTION OF REVISIONS	DESIGNED	CHECKED	DATE
mm	20 : 1	△				

<b>HRS</b> HIROSE ELECTRIC CO., LTD.	APPROVED	: HS. OKAWA	16.06.22	DRAWING NO.	EDC-367526-00-00	
	CHECKED	: YN. TAKASHITA	16.06.21	PART NO.	DF58-2830SCF	
	DESIGNED	: TH. YOSHIZAWA	16.06.21	CODE NO.	CL666-1011-0-00	
	DRAWN	: TH. YOSHIZAWA	16.06.21			

Section	Inspection
Lot No.	
Specification	
Quantity	
Part No.	
Code No.	