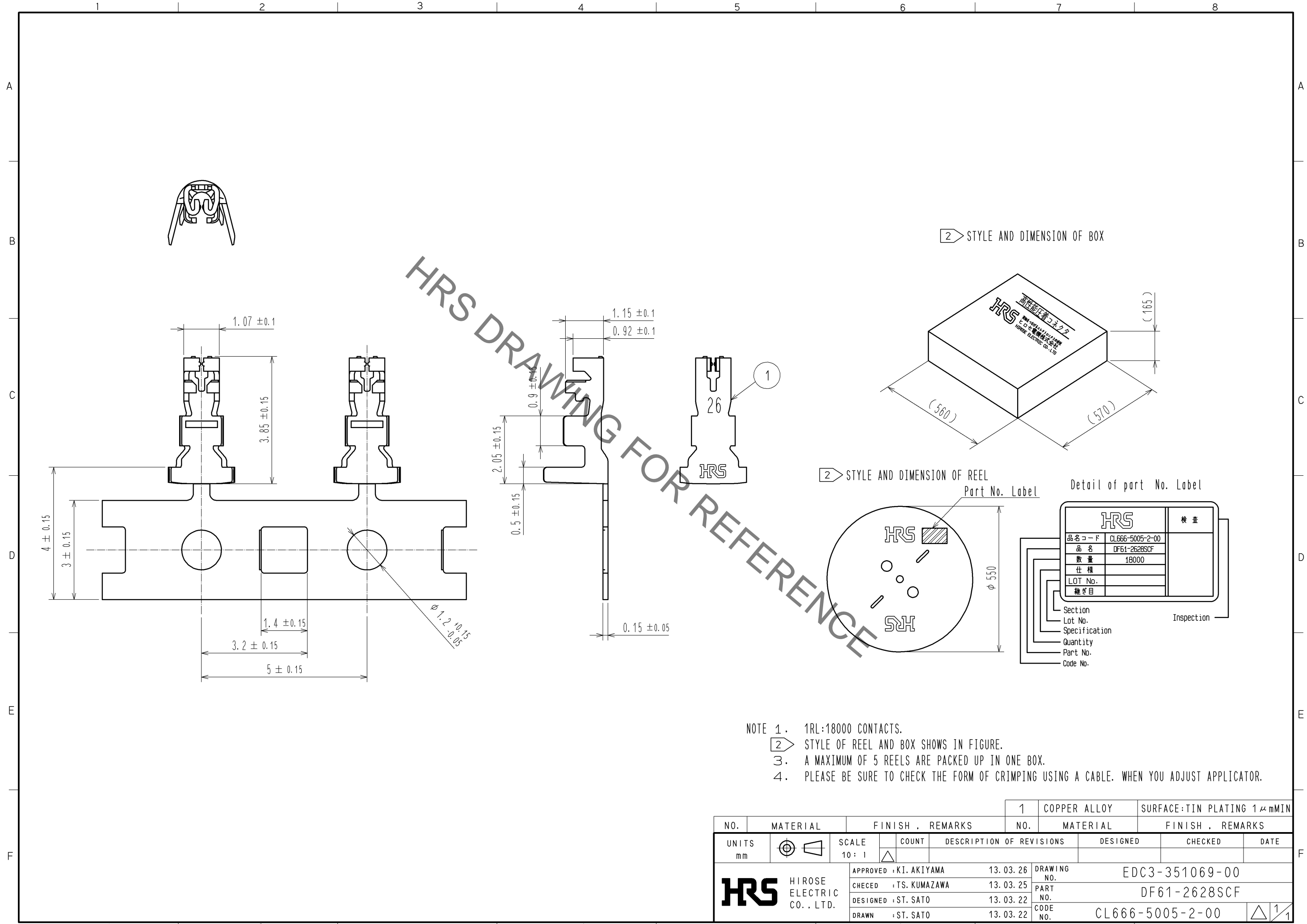
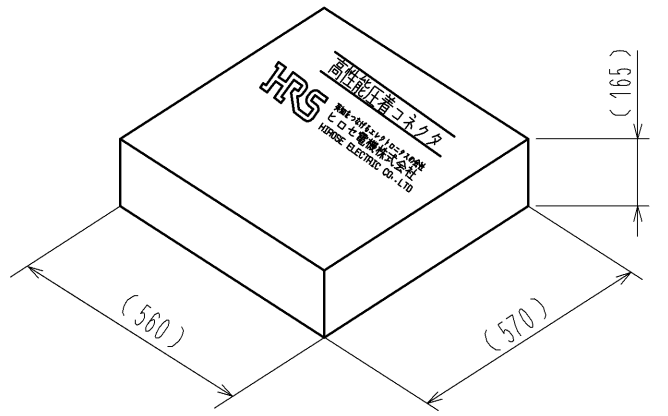


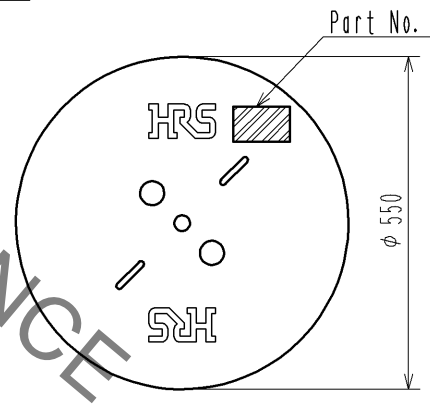
Jan.1.2022 Copyright 2022 HIROSE ELECTRIC CO., LTD. All Rights Reserved.
In case of consideration for using Automotive equipment / device which demand high reliability, kindly contact our sales window correspondents.



2 STYLE AND DIMENSION OF BOX



2 STYLE AND DIMENSION OF REEL



Detail of part No. Label

HRS		検査
品名コード	CL666-5005-2-00	Section Lot No. Specification Quantity Part No. Code No.
品名	DF61-262BSCF	
数量	18000	
LOT No.		
継ぎ目		
		Inspection

- NOTE 1. 1RL:18000 CONTACTS.
 2 STYLE OF REEL AND BOX SHOWS IN FIGURE.
 3. A MAXIMUM OF 5 REELS ARE PACKED UP IN ONE BOX.
 4. PLEASE BE SURE TO CHECK THE FORM OF CRIMPING USING A CABLE. WHEN YOU ADJUST APPLICATOR.

NO.		MATERIAL		FINISH . REMARKS		NO.		MATERIAL		FINISH . REMARKS					
UNITS mm				SCALE 10 : 1		COUNT △		DESCRIPTION OF REVISIONS		DESIGNED		CHECKED		DATE	
HRS HIROSE ELECTRIC CO., LTD.		APPROVED : KI. AKIYAMA		13. 03. 26		DRAWING NO.		EDC3-351069-00							
		CHECKED : TS. KUMAZAWA		13. 03. 25		PART NO.		DF61-262BSCF							
		DESIGNED : ST. SATO		13. 03. 22		CODE NO.		CL666-5005-2-00							
		DRAWN : ST. SATO		13. 03. 22											