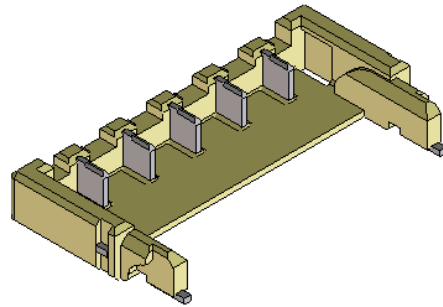
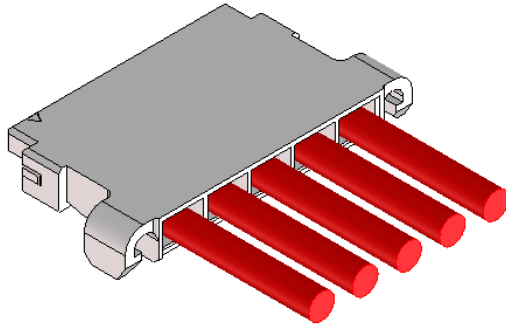


### 1. Scope

This document specifies the procedures of mating / unmating operation for DF65- \* S-1.7C(##) and DF65- \* P-1.7V(##) ( \* : Number of position).

### 2. Part Number

Part No.	Description
DF65- * S-1.7C(##)	Socket
DF65- * P-1.7V(##)	Header
DF65-%%SCF(A)(##)	Crimp contact



DF65-\*S-1.7C(##)  
+DF65-%%SCF(A)(##) (With cable)

DF65-\*P-1.7V(##)

Fig. 1: DF65 Connector

### 3. Operation Procedures

#### 3-1. Mating

##### 3-1-a. Alignment for Mating

: By positioning the convexity of the socket sides to the header concavity, align the centers of the socket and the header in pitch direction.

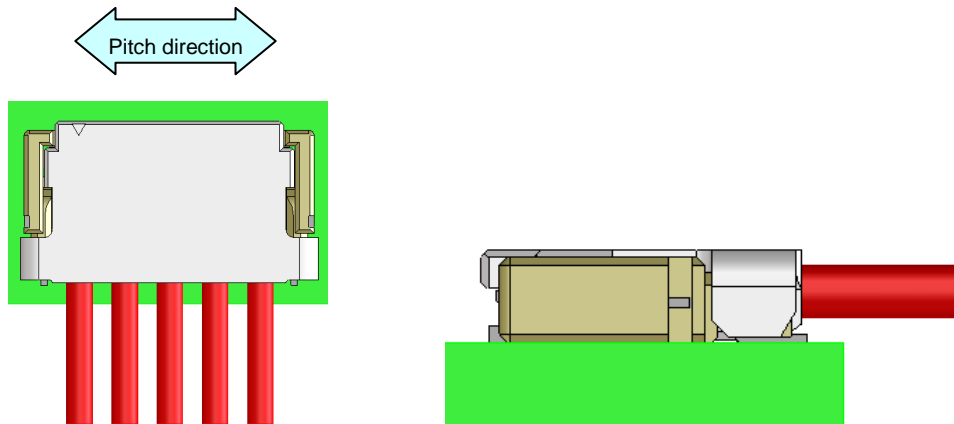


Fig. 2: Alignment for mating

COUNT	DESCRIPTION OF REVISIONS	DESIGNED	CHECKED	DATE
△				
TITLE		HIROSE ELECTRIC CO., LTD.		
DF65 Series Mating / Unmating Operation Instruction Manual		APPROVED	HS. OKAWA	16. 09. 14
		CHECKED	TS. FUKUSHIMA	16. 09. 13
		DESIGNED	YK. YAMAGUCHI	16. 09. 13
		WRITTEN	YK. YAMAGUCHI	16. 09. 13
TECHNICAL SPECIFICATION		ETAD-H0803-00		△ 1 / 3

3-1-b. Complete mating

: Insert the crimp socket in a parallel state with the PCB.

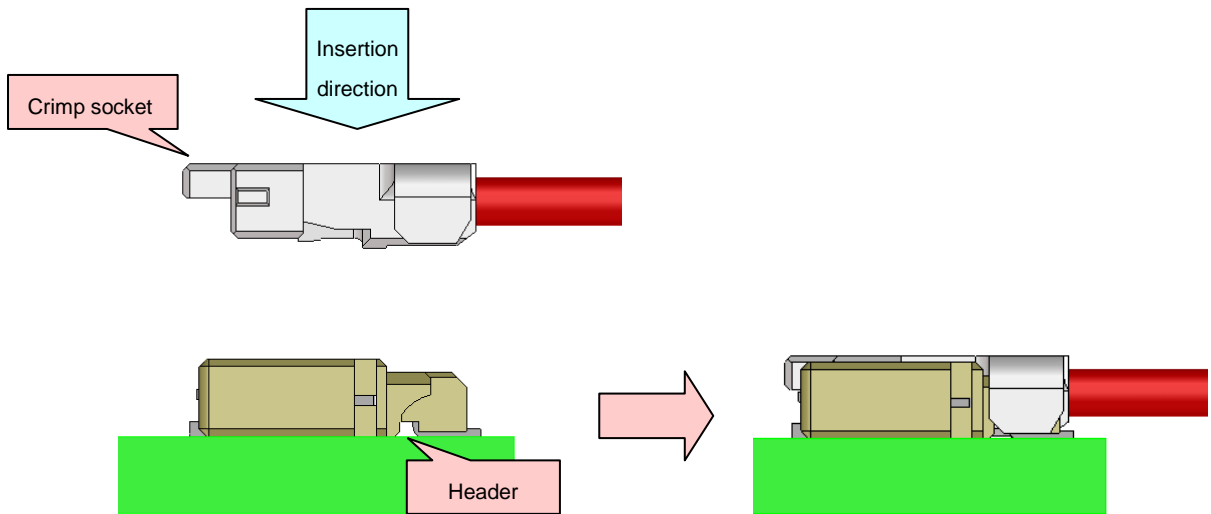


Fig. 3: Complete mating

3-1-c. Note of insertion

: In case of mating more than 5 pos , insert for sure by pushing both side of the crimp socket.

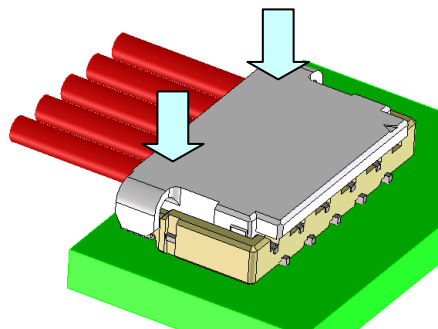


Fig. 4: Note of insertion

3-1-d. Mating Confirmation

: Make sure that the socket is completely mated.

If one side is floating or not completely mated, remove the socket from the header and insert again. Refer to 3-2. for removal operation.

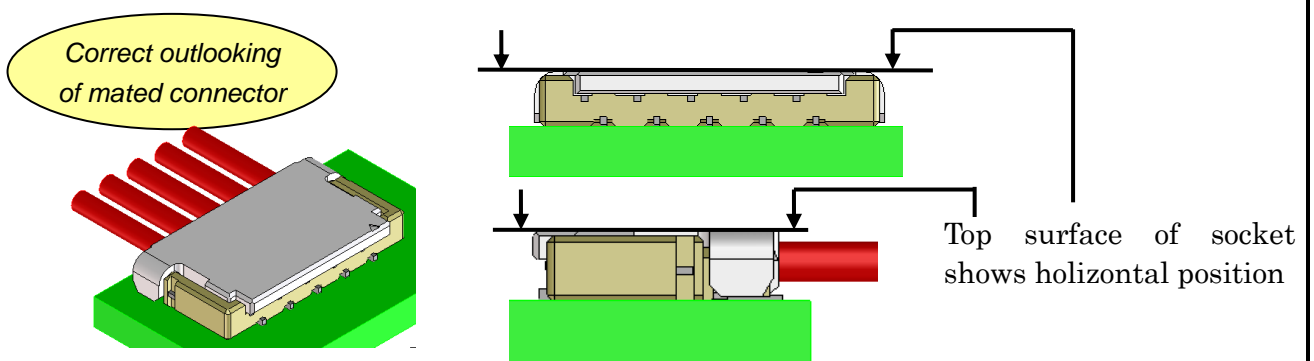


Fig. 5: Mating confirmation

### 3-2. Unmating

#### 3-2-a. Unmating

: Hook the lever with finger nail and lift up to the upper direction for unlock.

NOTE) When lifting up the lever, do not apply downward force to the cable side of the socket. This could damage the connector.

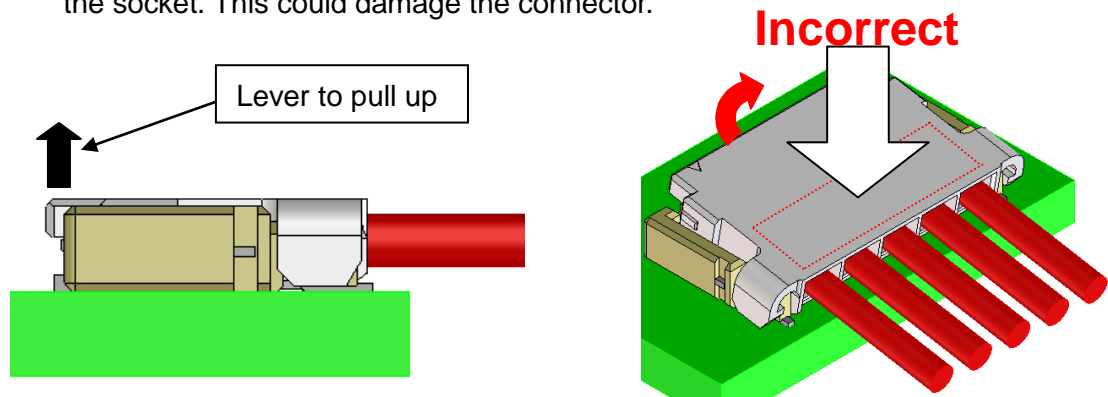


Fig. 6: Unmating

When pulling up the socket, apply even force to the center in pitch direction and do not lift up at the corners.

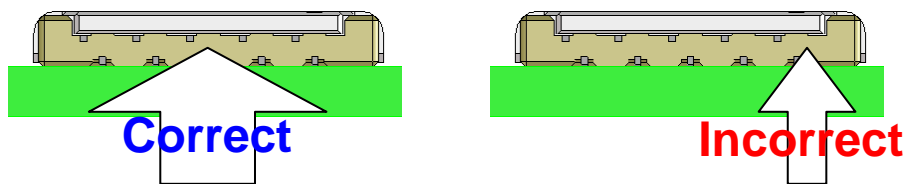


Fig. 7: Position to lift for unmatting

Make sure to use the lever for removal operation.

If the cable is pull for removal, it could break the cable or damage the connector.

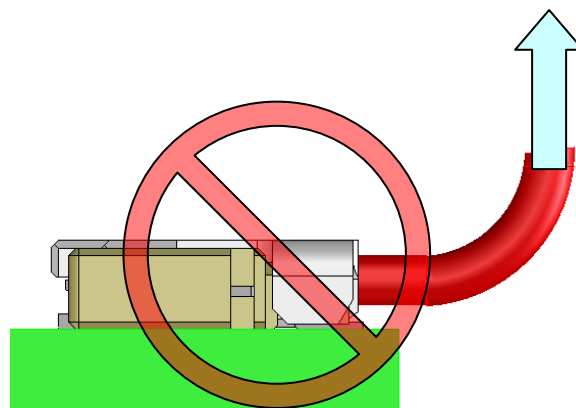


Fig. 8: Incorrect removal operation

### 4. Precautions

- Do not operate the connector while the electricity is carried.
- If excessive force is applied to the connector, failure or damage could be caused. Forcible mating / unmating, cable pull / cabling and mechanical shock, should be avoided.