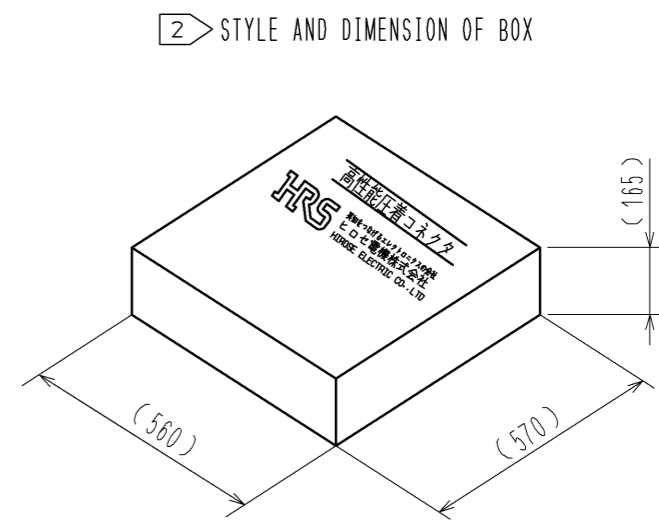
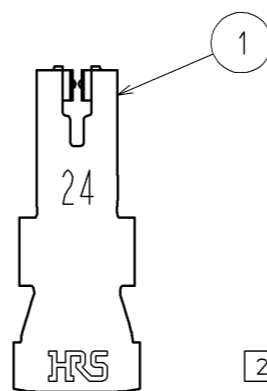
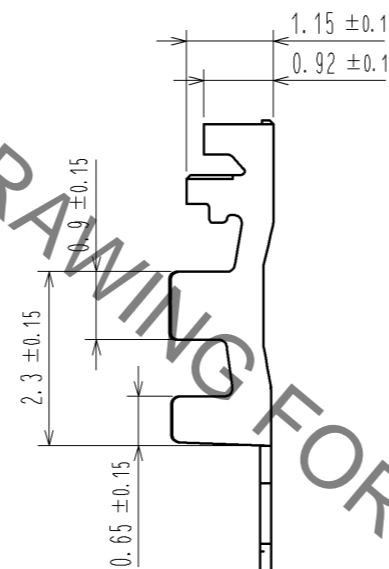
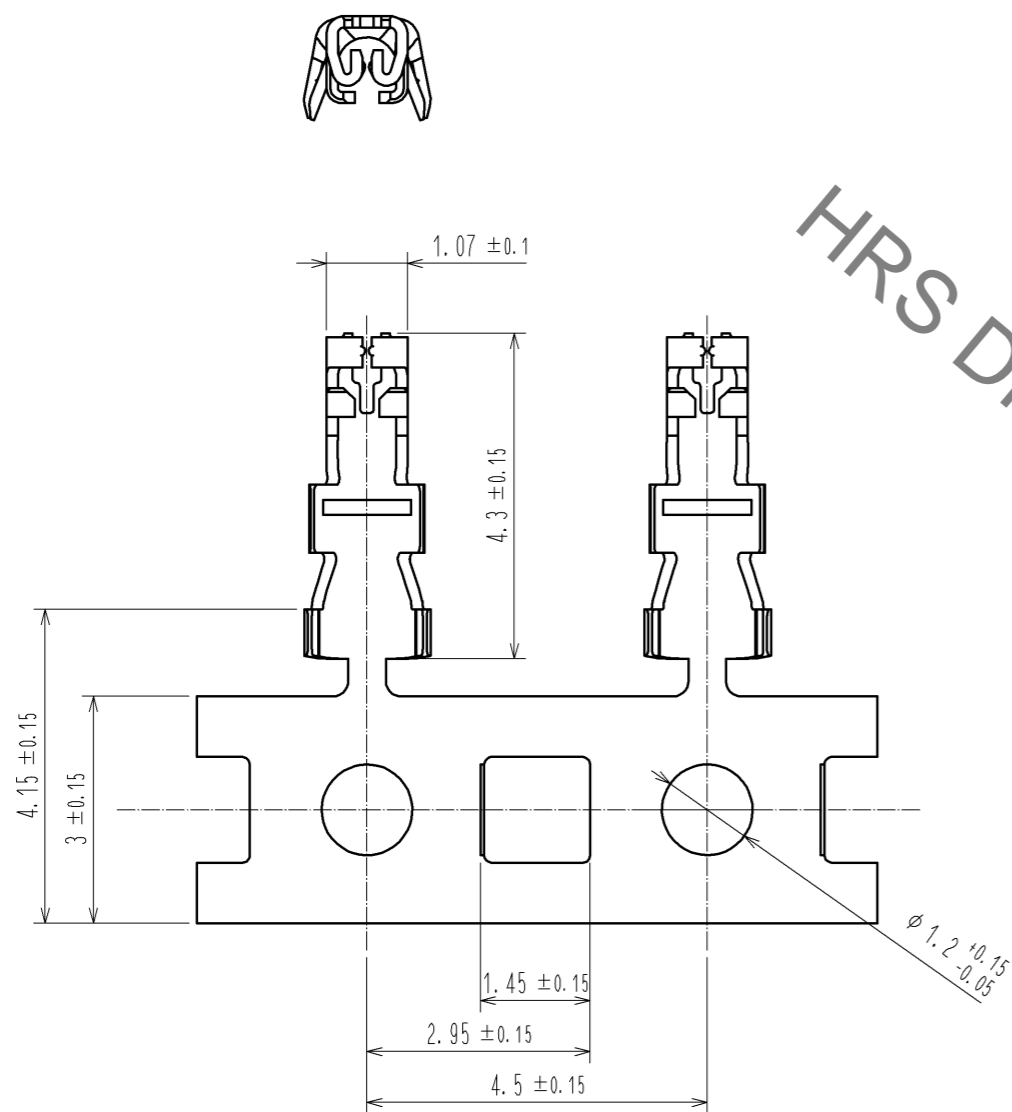
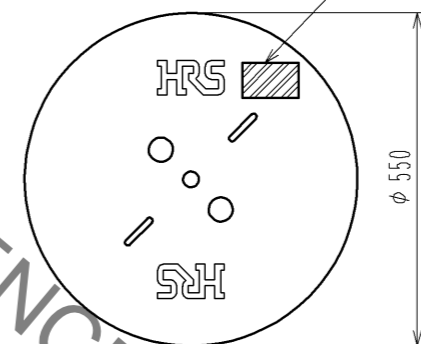


Feb.1.2023 Copyright 2023 HIROSE ELECTRIC CO., LTD. All Rights Reserved.
In case of consideration for using Automotive equipment / device which demand high reliability, kindly contact our sales window correspondents.



2 STYLE AND DIMENSION OF REEL



Detail of part No. Label

HRS		検査
品名コード	CL666-6003-2-00	Section Lot No. Specification Quantity Part No. Code No.
品名	DF65-2428SCF	
数量	18000	
仕様		
LDT No.		
機ざ目		検査

- NOTE 1. 1RL:18000 CONTACTS.
 2. STYLE OF REEL AND BOX SHOWS IN FIGURE.
 3. A MAXIMUM OF 5 REELS ARE PACKED UP IN ONE BOX.
 4. PLEASE BE SURE TO CHECK THE FORM OF CRIMPING USING A CABLE. WHEN YOU ADJUST APPLICATOR.

NO.	MATERIAL	FINISH . REMARKS	NO.	MATERIAL	FINISH . REMARKS		
1	COPPER ALLOY	SURFACE:TIN PLATING 1μmMIN					
UNITS mm		SCALE 10:1	COUNT 	DESCRIPTION OF REVISIONS	DESIGNED	CHECKED	DATE
HRS HIROSE ELECTRIC CO., LTD.		APPROVED : KI. AKIYAMA	13.08.22	DRAWING NO. EDC3-348409-00			
		CHECED : OM. MIYAMOTO	13.08.21	PART NO. DF65-2428SCF			
		DESIGNED : TT. OHSAKO	13.08.21	CODE NO. CL666-6003-2-00			
		DRAWN : TT. OHSAKO	13.08.21			1/1	