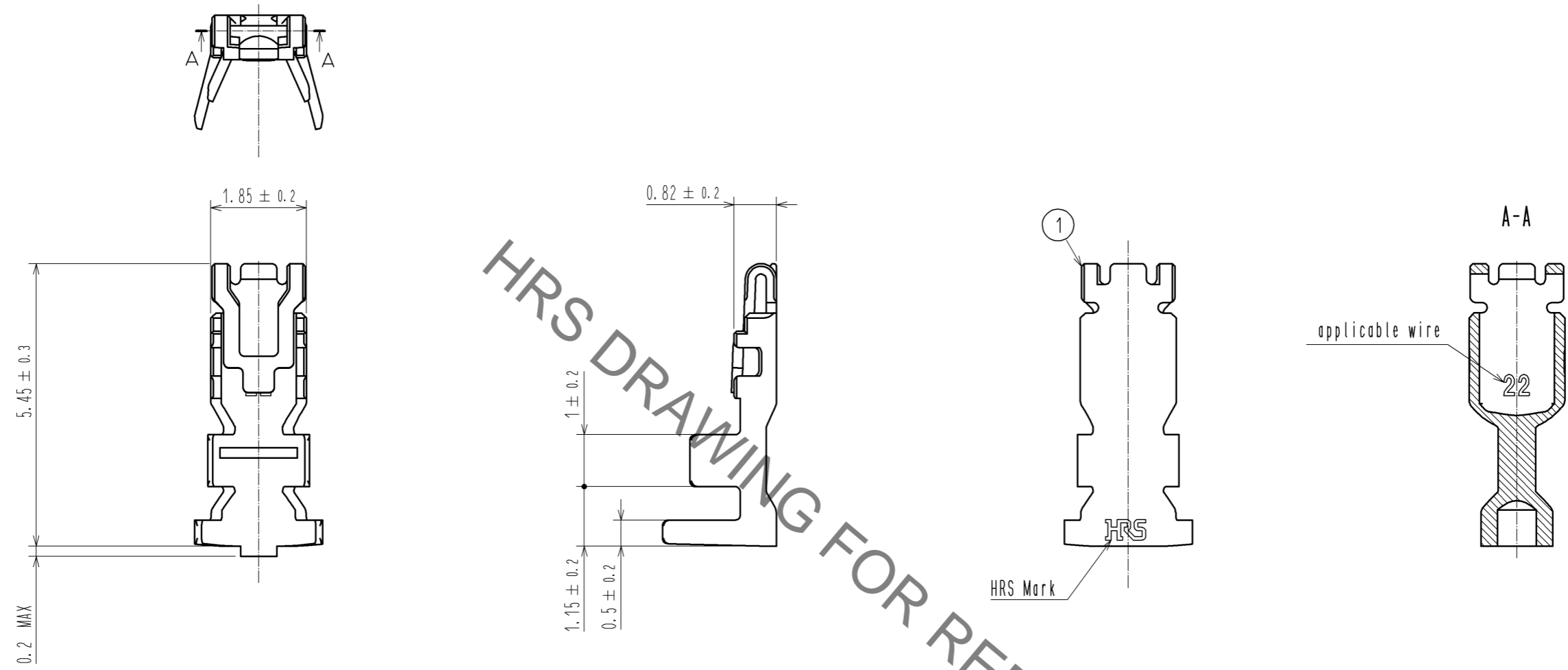


Mar.1.2023 Copyright 2023 HIROSE ELECTRIC CO., LTD. All Rights Reserved.
 In case of consideration for using Automotive equipment / device which demand high reliability, kindly contact our sales window correspondents.



HRS DRAWING FOR REFERENCE

- Notes
- 1Pack : 100 contacts.
 - Always refer to the manuals below for operation of this product.
 For Cable assembly / Cable assembly procedure ETAD-H0778
 For Mating/Unmating / Operation manual ETAD-H0779

NO.	MATERIAL	FINISH . REMARKS	NO.	MATERIAL	FINISH . REMARKS		
			1	Copper Alloy	Surface :Tin plating 1μm MIN		
UNITS	SCALE	COUNT	DESCRIPTION OF REVISIONS		DESIGNED	CHECKED	DATE
mm	10 : 1	△					
HRS HIROSE ELECTRIC CO., LTD.	APPROVED : KI. AKIYAMA	14.08.01	DRAWING NO.		EDC3-358515-01		
	CHECED : HK. UMEHARA	14.08.01	PART NO.		DF59M-2224PC		
	DESIGNED : SZ. ONO	14.08.01	CODE NO.		CL667-0044-3-00		
	DRAWN : SZ. ONO	14.08.01			△ 1/1		