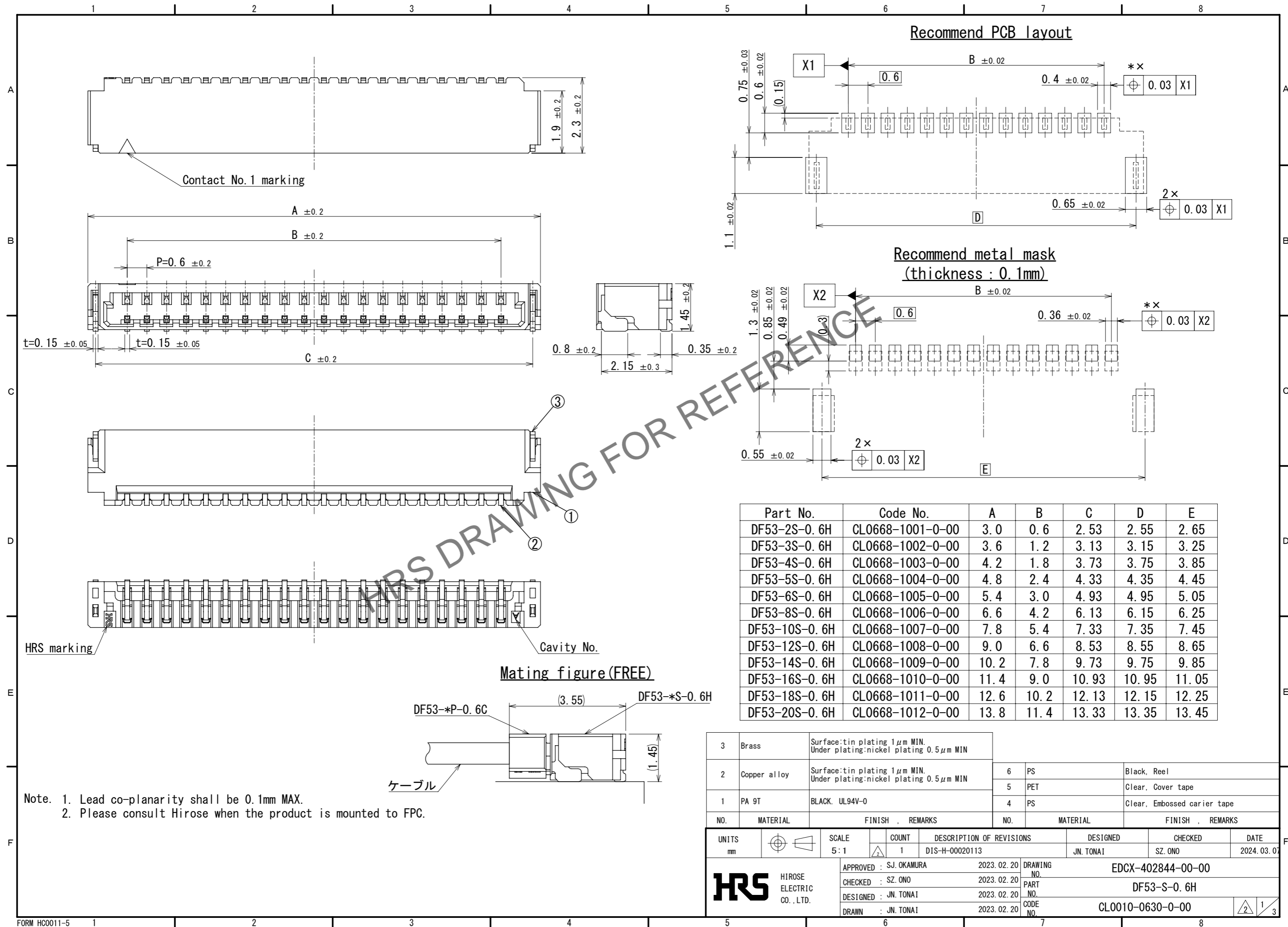


Apr.1.2025 Copyright 2025 HIROSE ELECTRIC CO., LTD. All Rights Reserved.
In case of consideration for using Automotive equipment / device which demand high reliability, kindly contact our sales window correspondents.



Part No.	Code No.	A	B	C	D	E
DF53-2S-0.6H	CL0668-1001-0-00	3.0	0.6	2.53	2.55	2.65
DF53-3S-0.6H	CL0668-1002-0-00	3.6	1.2	3.13	3.15	3.25
DF53-4S-0.6H	CL0668-1003-0-00	4.2	1.8	3.73	3.75	3.85
DF53-5S-0.6H	CL0668-1004-0-00	4.8	2.4	4.33	4.35	4.45
DF53-6S-0.6H	CL0668-1005-0-00	5.4	3.0	4.93	4.95	5.05
DF53-8S-0.6H	CL0668-1006-0-00	6.6	4.2	6.13	6.15	6.25
DF53-10S-0.6H	CL0668-1007-0-00	7.8	5.4	7.33	7.35	7.45
DF53-12S-0.6H	CL0668-1008-0-00	9.0	6.6	8.53	8.55	8.65
DF53-14S-0.6H	CL0668-1009-0-00	10.2	7.8	9.73	9.75	9.85
DF53-16S-0.6H	CL0668-1010-0-00	11.4	9.0	10.93	10.95	11.05
DF53-18S-0.6H	CL0668-1011-0-00	12.6	10.2	12.13	12.15	12.25
DF53-20S-0.6H	CL0668-1012-0-00	13.8	11.4	13.33	13.35	13.45

NO.	MATERIAL	FINISH	REMARKS	NO.	MATERIAL	FINISH	REMARKS
3	Brass	Surface:tin plating 1μm MIN. Under plating:nickel plating 0.5μm MIN		6	PS		Black, Reel
2	Copper alloy	Surface:tin plating 1μm MIN. Under plating:nickel plating 0.5μm MIN		5	PET		Clear, Cover tape
1	PA 9T	BLACK, UL94V-0		4	PS		Clear, Embossed carrier tape

UNITS	SCALE	COUNT	DESCRIPTION OF REVISIONS	DESIGNED	CHECKED	DATE
mm	5:1	1	DIS-H-00020113	JN. TONAI	SZ. ONO	2024.03.07

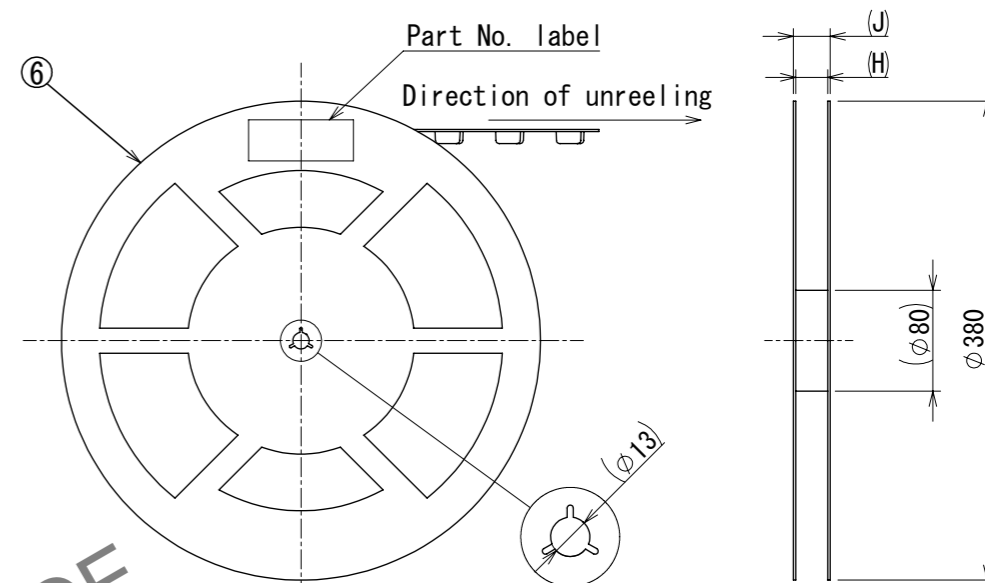
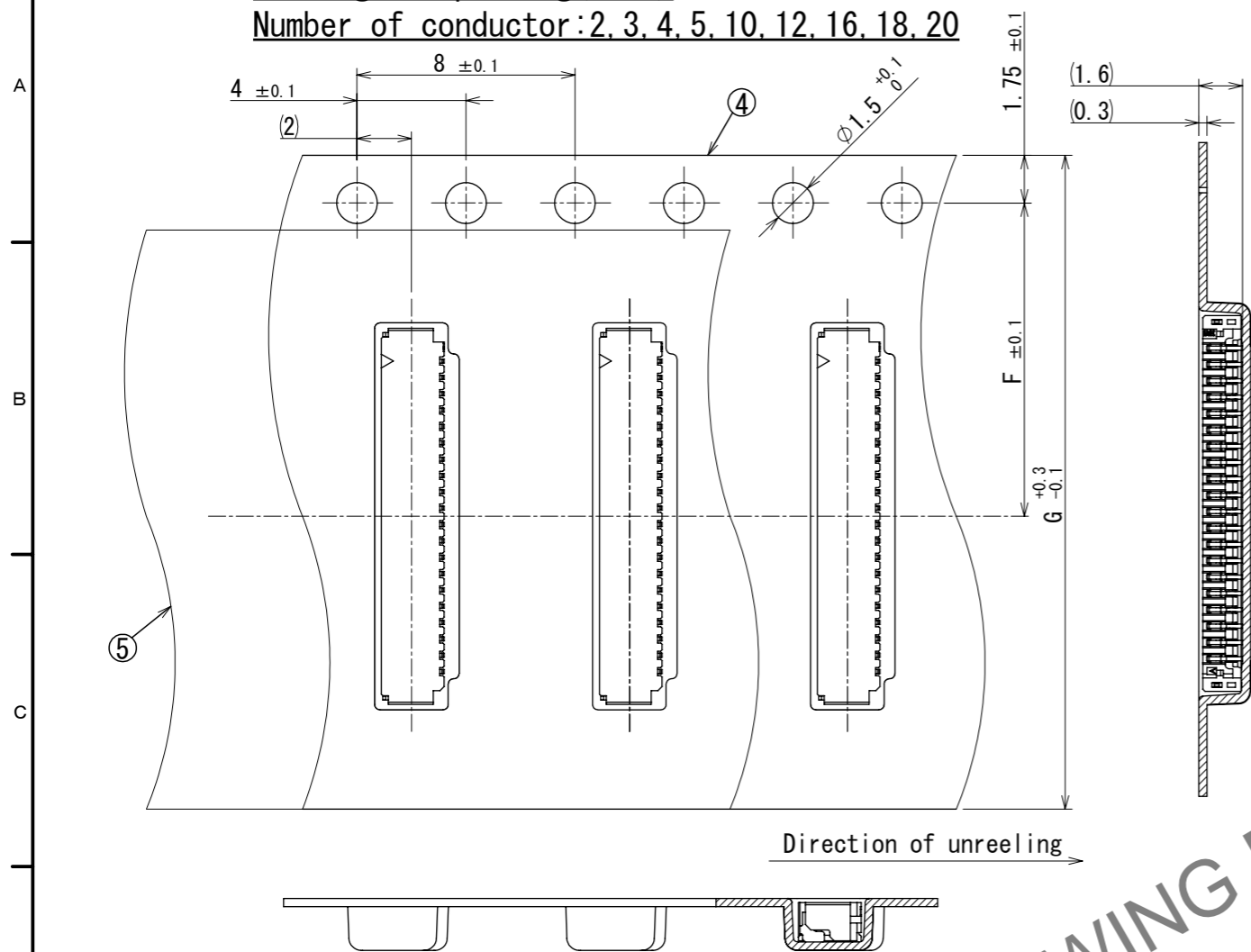
APPROVED	DATE	DRAWING NO.
SJ. OKAMURA	2023.02.20	EDCX-402844-00-00
CHECKED : SZ. ONO	2023.02.20	PART NO.
DESIGNED : JN. TONAI	2023.02.20	DF53-S-0.6H
DRAWN : JN. TONAI	2023.02.20	CODE NO.
		CL0010-0630-0-00

Apr.1.2025 Copyright 2025 HIROSE ELECTRIC CO., LTD. All Rights Reserved.
 In case of consideration for using Automotive equipment / device which demand high reliability, kindly contact our sales window correspondents.

Drawing for packing(FREE)

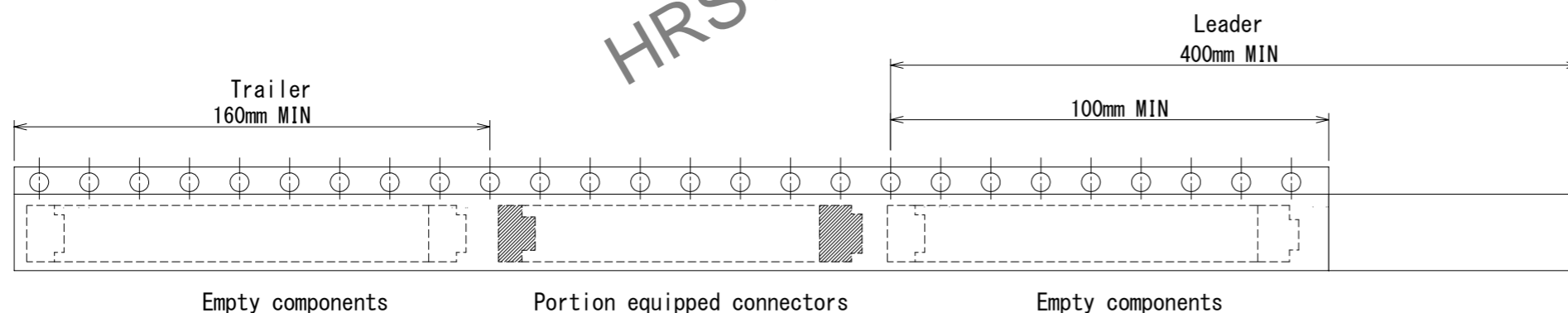
Number of conductor: 2, 3, 4, 5, 10, 12, 16, 18, 20

Style and dimension of reel(FREE)

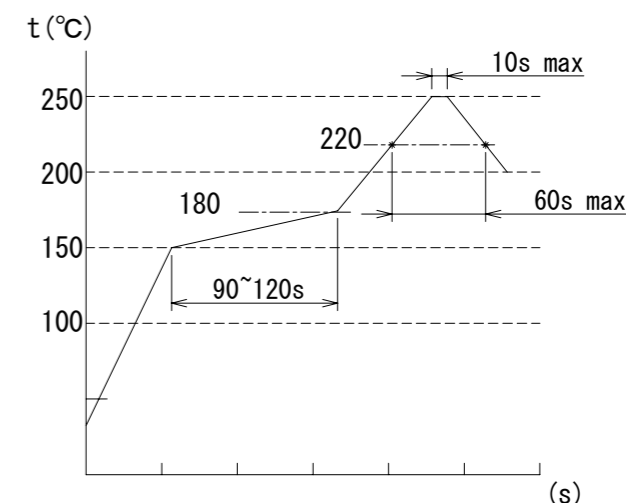


Part No.	Code No.	F	G	H	J
DF53-2S-0.6H	CL0668-1001-0-00	7.5	16	17.4	21.4
DF53-3S-0.6H	CL0668-1002-0-00	7.5	16	17.4	21.4
DF53-4S-0.6H	CL0668-1003-0-00	7.5	16	17.4	21.4
DF53-5S-0.6H	CL0668-1004-0-00	7.5	16	17.4	21.4
DF53-10S-0.6H	CL0668-1007-0-00	11.5	24	25.4	29.4
DF53-12S-0.6H	CL0668-1008-0-00	11.5	24	25.4	29.4
DF53-16S-0.6H	CL0668-1010-0-00	11.5	24	25.4	29.4
DF53-18S-0.6H	CL0668-1011-0-00	11.5	24	25.4	29.4
DF53-20S-0.6H	CL0668-1012-0-00	11.5	24	25.4	29.4

5 Taping(FREE)



Reflow temperature profile in resistance to solderring heat



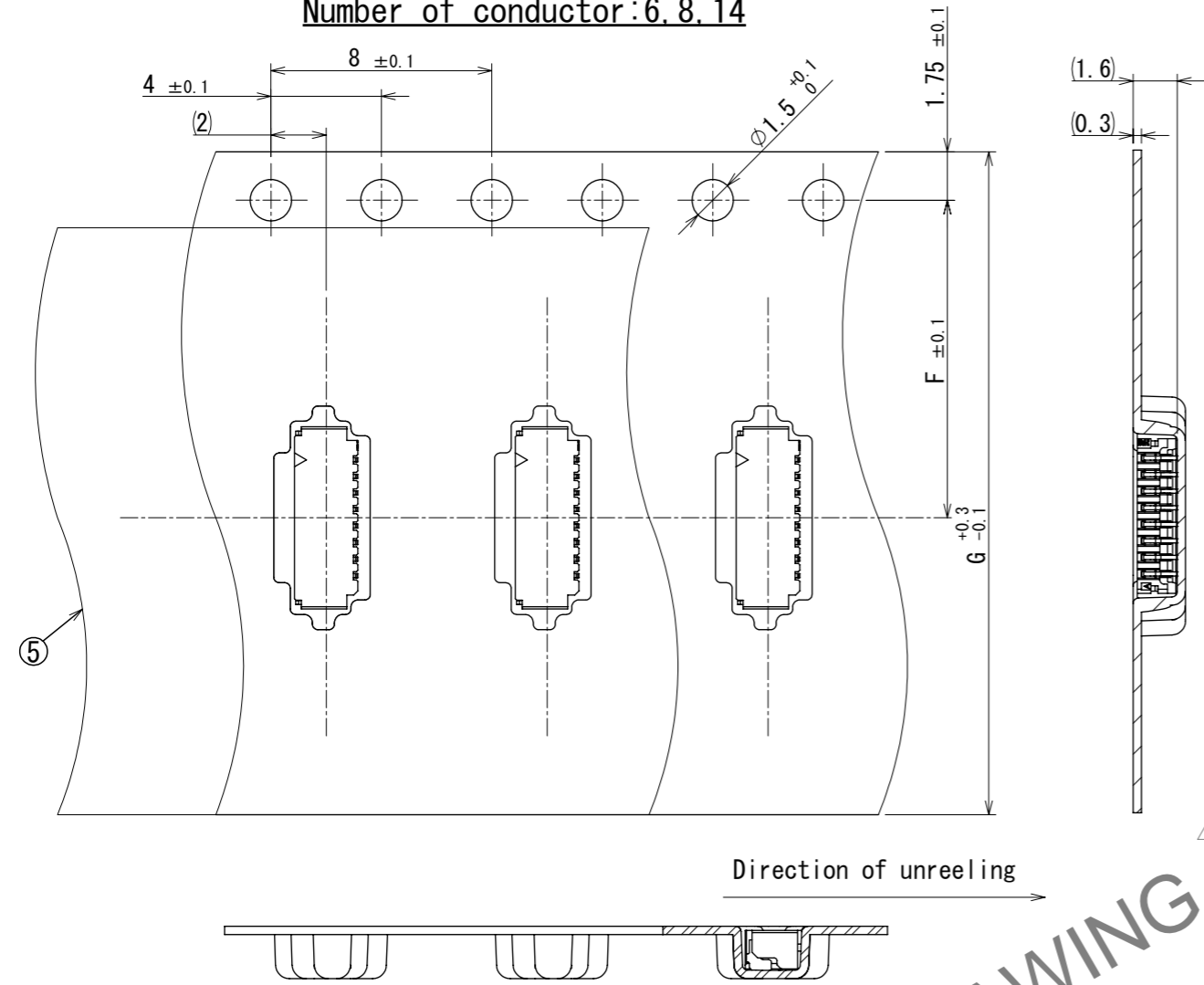
Number of reflow cycles 2 cycles MAX.

- Note
- 1 reel:5,000 connectors.
 - () is reference dimension.
 - Refer to IEC 60286-3 and JIS C 0806-3. (Packaging of components for automated handling)
 - This product satisfies halogen free requirements defined as 900 ppm maximum chlorine, 900 ppm maximum bromine, and 1500 ppm maximum total of chlorine and bromine.
 - Refer to the technical specification(ETAP-H1068) for packing type.
 - Please make sure refer to the manuals below for operation of this product.
For operation manual ETAD-H0996-00

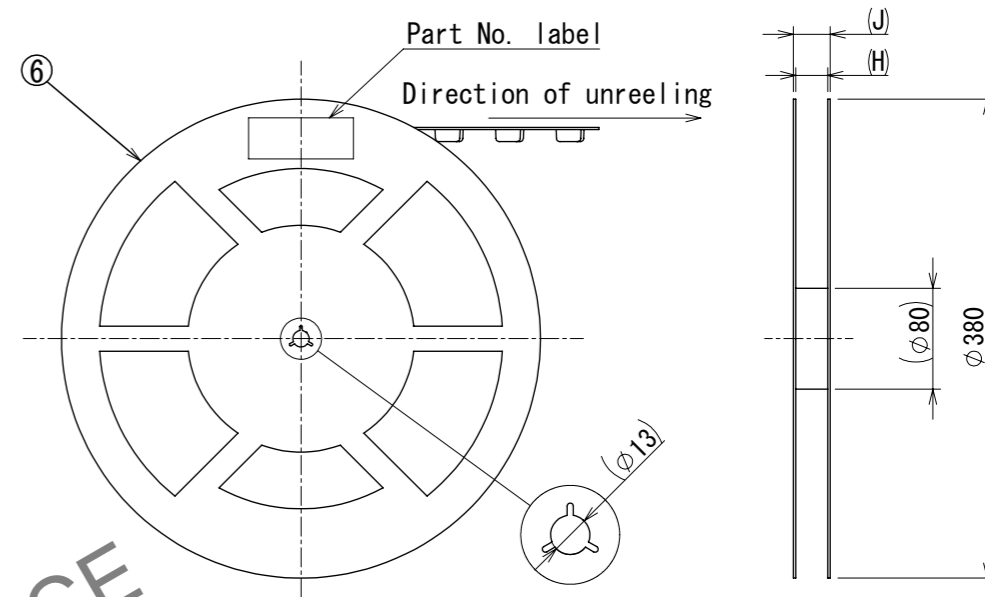
HRS	DRAWING NO.	EDCX-402844-00-00
	PART NO.	DF53-S-0.6H
	CODE NO.	CL0010-0630-0-00
		2/3

Apr.1.2025 Copyright 2025 HIROSE ELECTRIC CO., LTD. All Rights Reserved.
 In case of consideration for using Automotive equipment / device which demand high reliability, kindly contact our sales window correspondents.

Drawing for packing(FREE)
Number of conductor:6,8,14



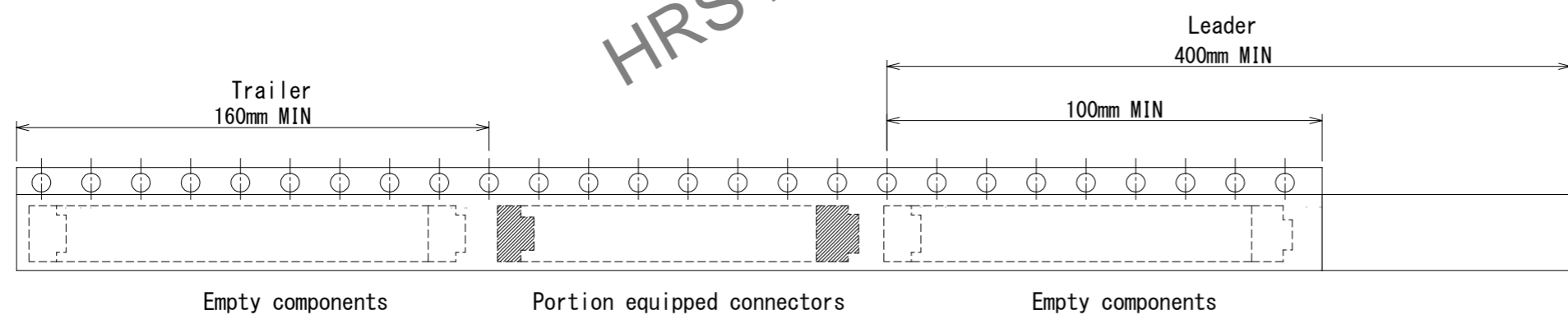
Style and dimension of reel (FREE)



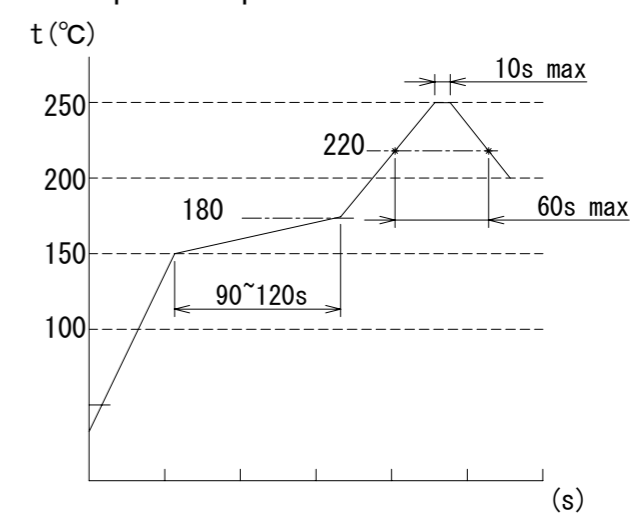
Part No.	Code No.	F	G	H	J
DF53-6S-0.6H	CL0668-1005-0-00	7.5	16	17.4	21.4
DF53-8S-0.6H	CL0668-1006-0-00	11.5	24	25.4	29.4
DF53-14S-0.6H	CL0668-1009-0-00	11.5	24	25.4	29.4

HRS DRAWING FOR REFERENCE

5 Taping(FREE)



Reflow temperature profile in resistance to solderring heat



Number of reflow cycles 2 cycles MAX.

- Note**
- 1 reel:5,000 connectors.
 - () is reference dimension.
 - 5 Refer to IEC 60286-3 and JIS C 0806-3. (Packaging of components for automated handling)
 6. This product satisfies halogen free requirements defined as 900 ppm maximum chlorine, 900 ppm maximum bromine, and 1500 ppm maximum total of chlorine and bromine.
 7. Refer to the technical specification(ETAP-H1068) for packing type.
 8. Please make sure refer to the manuals below for operation of this product.
 For operation manual ETAD-H0996-00

HRS	DRAWING NO.	EDCX-402844-00-00
	PART NO.	DF53-S-0.6H
	CODE NO.	CL0010-0630-0-00
		2/3