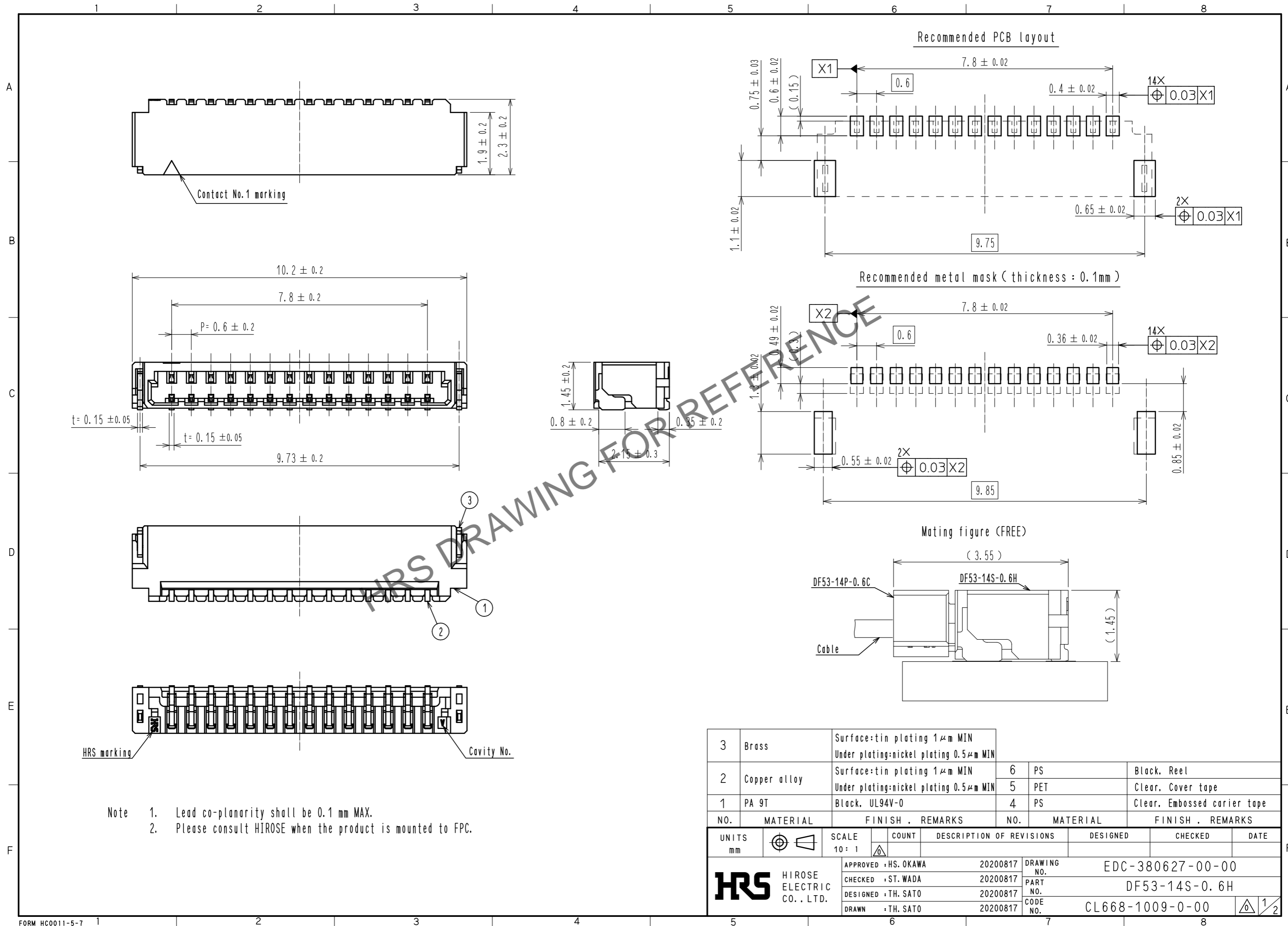


Jan.1.2025 Copyright 2025 HIROSE ELECTRIC CO., LTD. All Rights Reserved.
 In case of consideration for using Automotive equipment / device which demand high reliability, kindly contact our sales window correspondents.



HRS marking Cavity No.

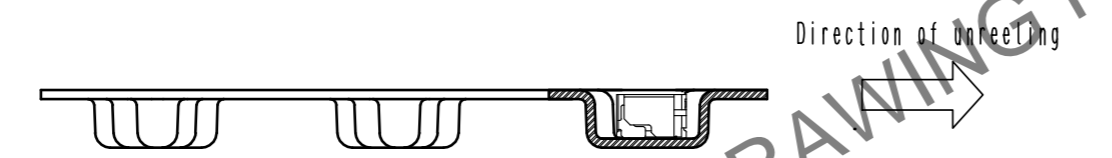
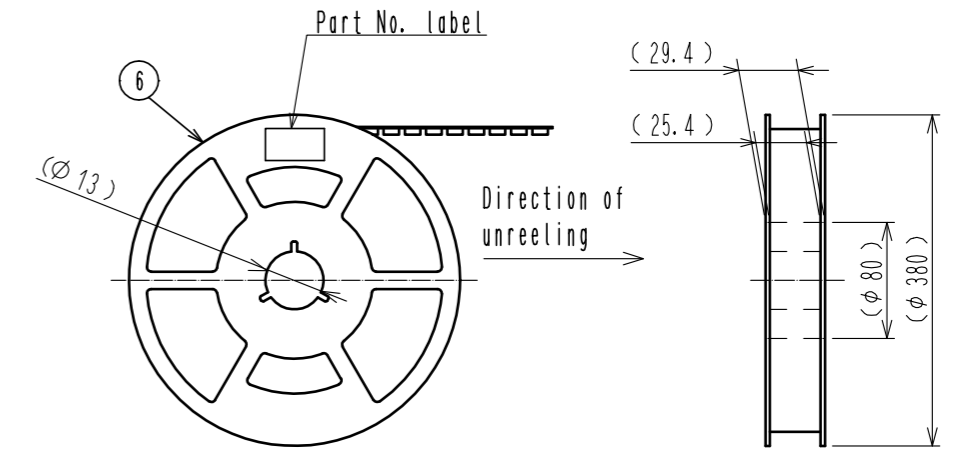
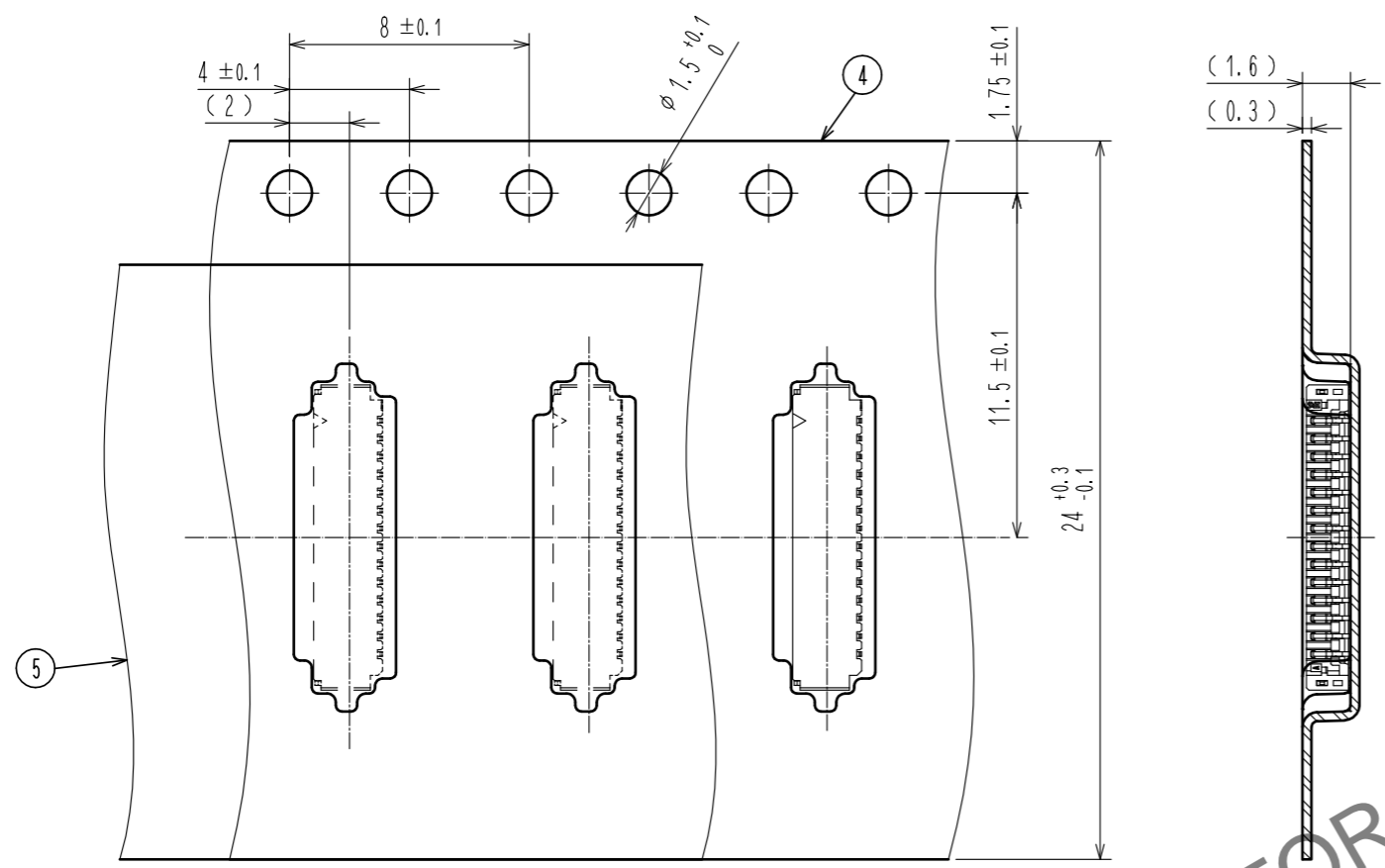
- Note
- Lead co-planarity shall be 0.1 mm MAX.
 - Please consult HIROSE when the product is mounted to FPC.

3	Brass	Surface:tin plating 1μm MIN Under plating:nickel plating 0.5μm MIN			
2	Copper alloy	Surface:tin plating 1μm MIN Under plating:nickel plating 0.5μm MIN	6	PS	Black. Reel
			5	PET	Clear. Cover tape
1	PA 9T	Black. UL94V-0	4	PS	Clear. Embossed carrier tape
NO.	MATERIAL	FINISH . REMARKS	NO.	MATERIAL	FINISH . REMARKS
UNITS mm		SCALE 10:1	COUNT	DESCRIPTION OF REVISIONS	
HRS HIROSE ELECTRIC CO., LTD.		APPROVED : HS. OKAWA	20200817	DRAWING NO. EDC-380627-00-00	
		CHECKED : ST. WADA	20200817	PART NO. DF53-14S-0.6H	
		DESIGNED : TH. SATO	20200817	CODE NO. CL668-1009-0-00	
		DRAWN : TH. SATO	20200817	1/2	

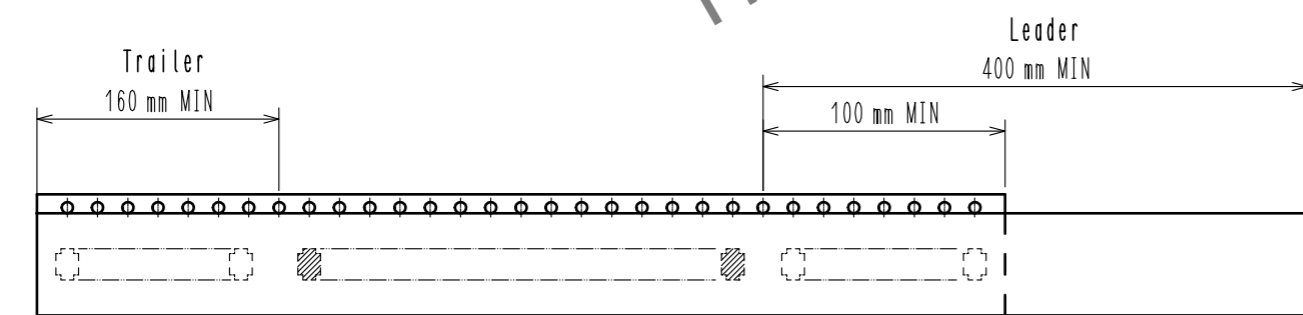
Jan.1.2025 Copyright 2025 HIROSE ELECTRIC CO., LTD. All Rights Reserved.
 In case of consideration for using Automotive equipment / device which demand high reliability, kindly contact our sales window correspondents.

Drawing for packing (FREE)

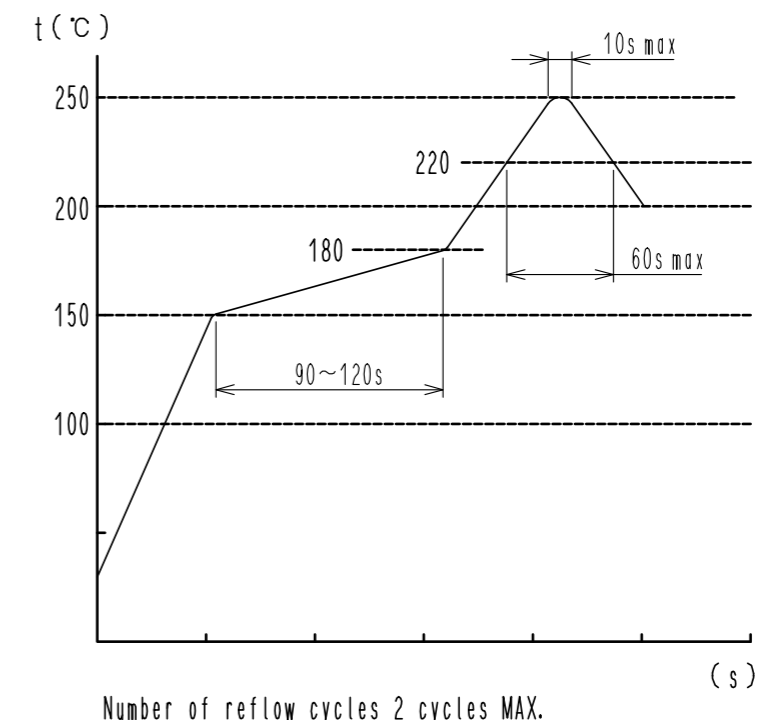
Style and dimension of reel (FREE)



5 Taping (FREE)



Reflow temperature profile in resistance to solderring heat



HRS DRAWING FOR REFERENCE

- Note
3. 1reel:5000 connectors.
 4. () is reference dimension.
 - 5 Refer to IEC 60286-3 and JIS C 0806-3. (Packaging of components for automating handling)
 6. This product satisfies halogen free requirements defined as 900ppm maximum chlorine, 900ppm maximum bromine, and 1500ppm maximum total of chlorine and bromine.
 7. Refer to the technical specification (ETAP-H1068) for the packing type.
 8. Please make sure refer to the manuals below for operation of this product.
 For Operation Manual ETAD-H0996-00

HRS	DRAWING NO.	EDC-380627-00-00	2/2
	PART NO.	DF53-14S-0.6H	
	CODE NO.	CL668-1009-0-00	