

In case of consideration for using Automotive equipment / device which demand high reliability, kindly contact our sales window correspondents.

8

7

COUNT	DESCRIPTION OF REVISIONS	BY	CHKD	DATE	COUNT	DESCRIPTION OF REVISIONS	BY	CHKD	DATE
△					△				
△					△				
△					△				

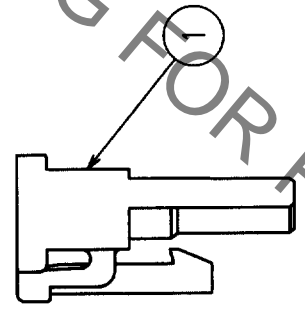
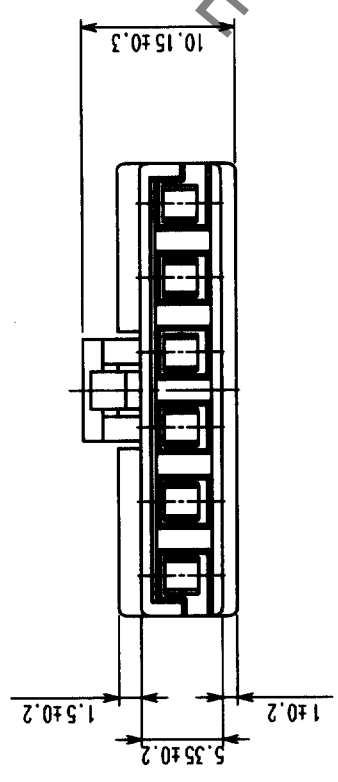
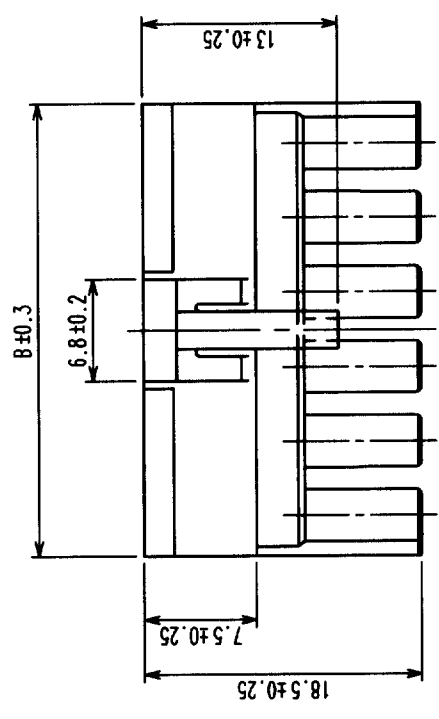
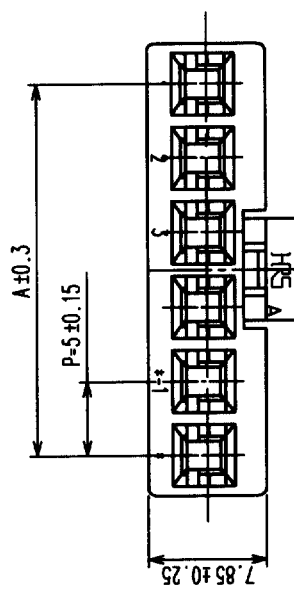
A

B

C

D

E



HRS DRAWING FOR REFERENCE

PRODUCT NO.	HRS NO.	CONTACTS	A	B
DF5A-2S-5C	CL676-0007-8	2	5	10.5
DF5A-3S-5C	CL676-0008-0	3	10	15.5
DF5A-4S-5C	CL676-0009-3	4	15	20.5
DF5A-5S-5C	CL676-0010-2	5	20	25.5
DF5A-6S-5C	CL676-0011-5	6	25	30.5
DF5A-7S-5C	CL676-0012-8	7	30	35.5
DF5A-8S-5C	CL676-0013-0	8	35	40.5
DF5A-9S-5C	CL676-0014-3	9	40	45.5
DF5A-10S-5C	CL676-0015-6	10	45	50.5

NOTE 1: A PACKAGING QUANTITY IS DELIVERED BY THE BAG UNIT(100 PCS.)

TO	

F

NO.	MATERIAL	FINISH, REMARKS	NO.	MATERIAL	FINISH, REMARKS
1	POLYAMIDE	NATURAL (WHITE)	1	POLYAMIDE	NATURAL (WHITE), UL94V-0

CODE NO. (OLD)	CL	DRAWN	DESIGNED	CHECKED	APPROVED	RELEASED
		IDENPOUYA	IDENPOUYA	H. Inohara	K. Katayama	
		01.11.27	01.11.27	01.11.27	01.11.30	

DRAWING NO.	PART NO.
EDC3-160243	DF5A-*S-5C

SCALE	UNITS	CODE NO.
2 : 1	MM	CL676

8

7

6

5

4

3

2

1