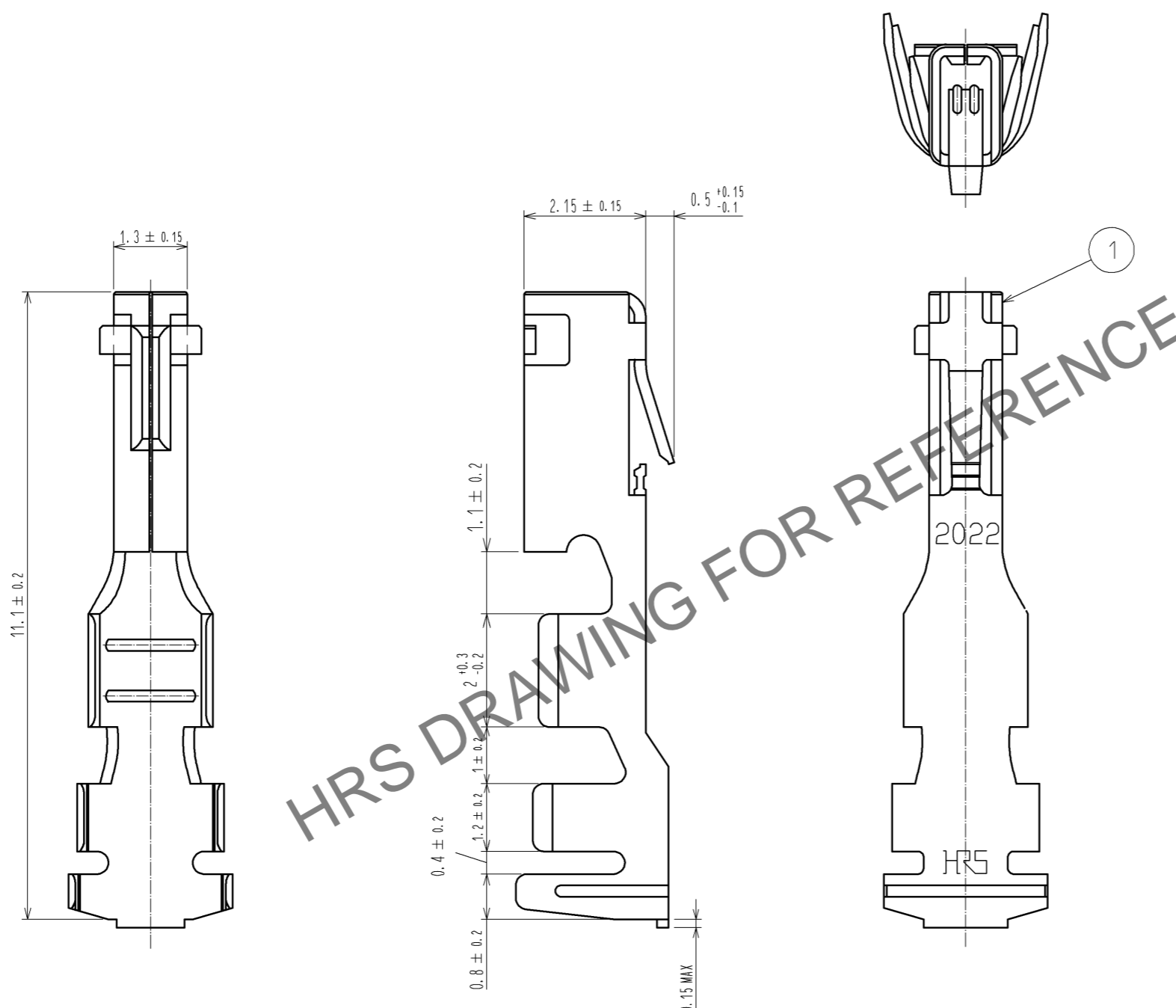


Jul.1.2024 Copyright 2024 HIROSE ELECTRIC CO., LTD. All Rights Reserved.  
 In case of consideration for using Automotive equipment / device which demand high reliability, kindly contact our sales window correspondents.



HRS DRAWING FOR REFERENCE

NOTE 1. 100 PIECES PER PACK.

NO.	MATERIAL	FINISH . REMARKS	NO.	MATERIAL	FINISH . REMARKS
			1	COPPER ALLOY	TIN PLATING 1 μm min
UNITS mm		SCALE 10 : 1		DESCRIPTION OF REVISIONS	DESIGNED
<b>HRS</b>	HIROSE ELECTRIC CO., LTD.	APPROVED : KI. AKIYAMA	13.02.07	DRAWING NO.	EDC3-315947-01
		CHECKED : TS. KUMAZAWA	13.02.07	PART NO.	DF33A-2022SC
		DESIGNED : HT. SATO	13.02.07	CODE NO.	CL676-1094-8-00
		DRAWN : MI. SAKIMURA	13.02.05		