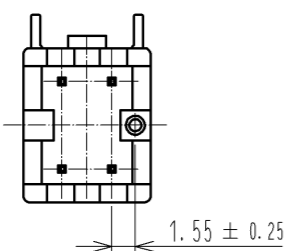
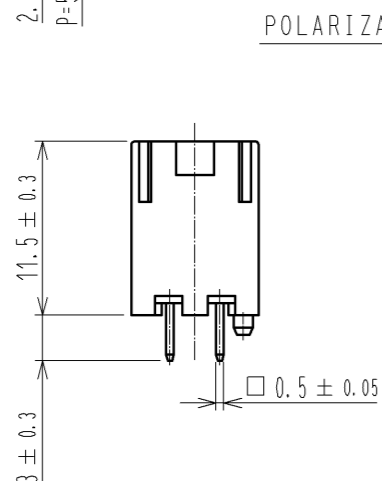
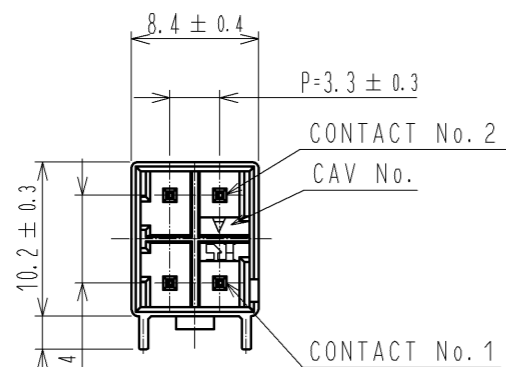
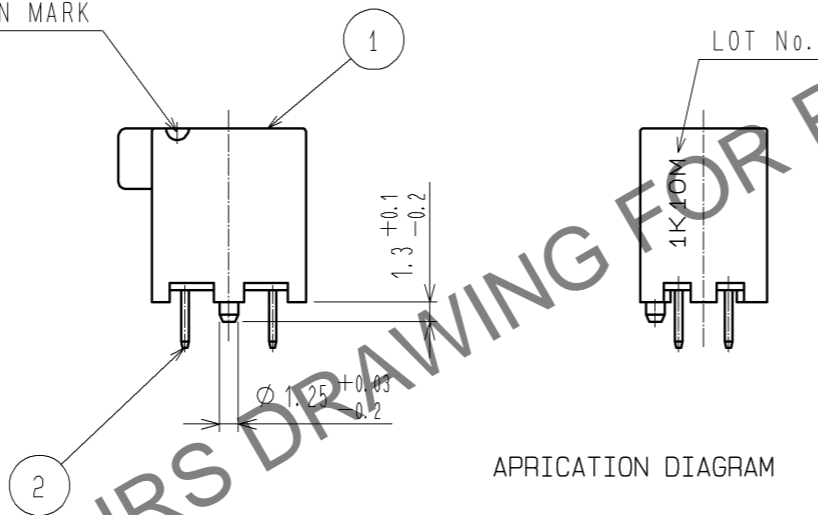


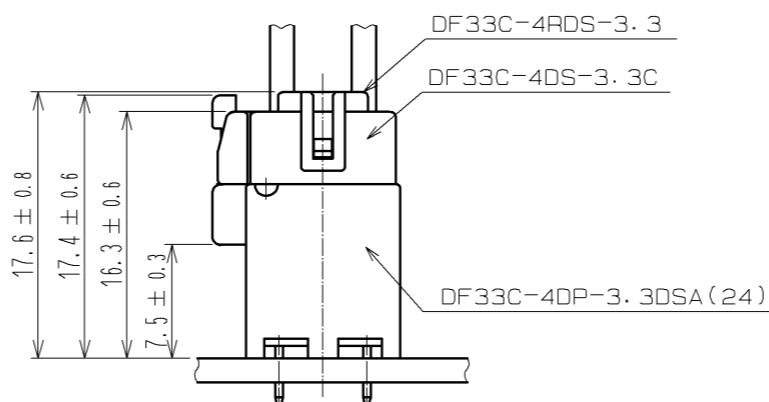
Oct.1.2024 Copyright 2024 HIROSE ELECTRIC CO., LTD. All Rights Reserved.  
In case of consideration for using Automotive equipment / device which demand high reliability, kindly contact our sales window correspondents.



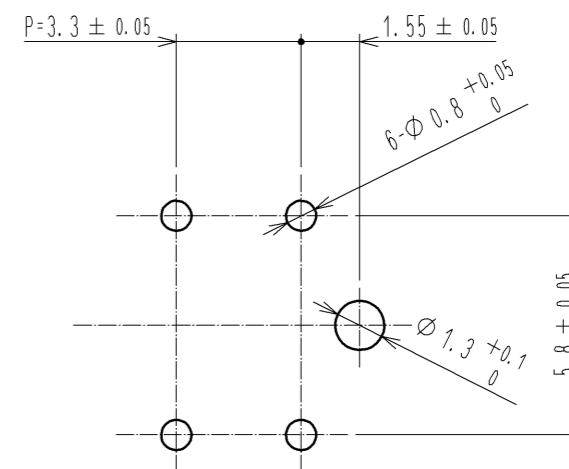
POLARIZATION MARK



APPLICATION DIAGRAM



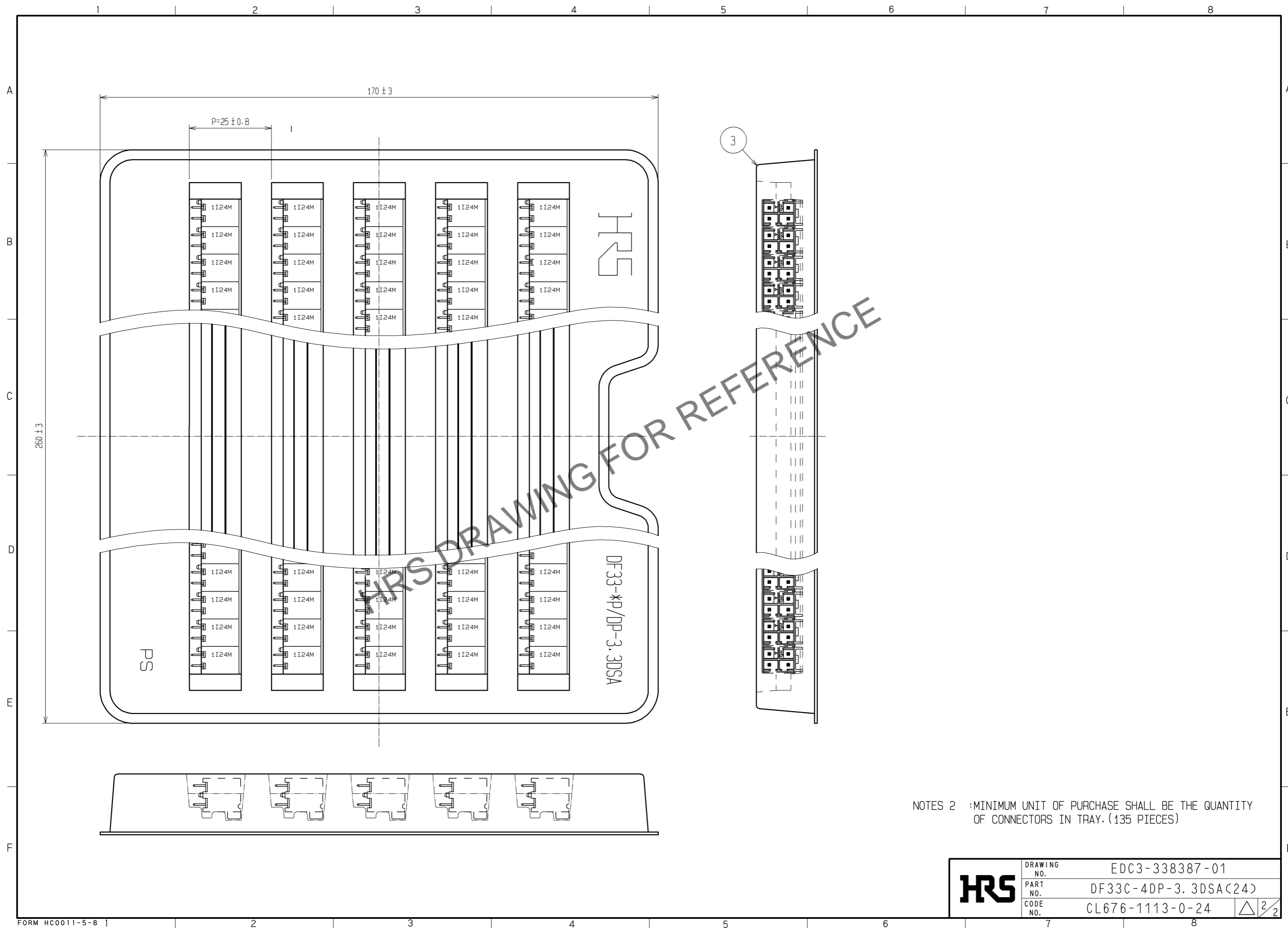
RECOMMENDED PATTERN(5:1)  
(RECOMMENDED BOARD THICKNESS t=1.6mm)



NOTES 1 :IMMERSION DEPTH INTO POTTING SOLUTION:6.5mm

1	PBT	WHITE, UL94V-0	3	HIPS	TRAY
2	BRASS		2	BRASS	SURFACE:TIN PLATED 1μm min UNDER PLATING:NICKEL PLATED 0.5μm min
NO.	MATERIAL	FINISH, REMARKS	NO.	MATERIAL	FINISH, REMARKS
UNITS mm		SCALE 2:1	COUNT 	DESCRIPTION OF REVISIONS	
<b>HRS</b> HIROSE ELECTRIC CO., LTD.		APPROVED : KI. AKIYAMA 12.07.26	DESIGNED	DRAWING NO. EDC3-338387-01	
		CHECKED : HK. UMEHARA 12.07.26	CHECKED	PART NO. DF33C-4DP-3.3DSA(24)	
		DESIGNED : HT. SATO 12.07.26	DATE	CODE NO. CL676-1113-0-24	
		DRAWN : MI. SAKIMURA 12.07.26		1/2	

Oct.1.2024 Copyright 2024 HIROSE ELECTRIC CO., LTD. All Rights Reserved.  
In case of consideration for using Automotive equipment / device which demand high reliability, kindly contact our sales window correspondents.



NOTES 2 :MINIMUM UNIT OF PURCHASE SHALL BE THE QUANTITY OF CONNECTORS IN TRAY. (135 PIECES)

<b>HS</b>	DRAWING NO.	EDC3-338387-01
	PART NO.	DF33C-4DP-3.3DSA(24)
	CODE NO.	CL676-1113-0-24
		$\triangle$ 2/2