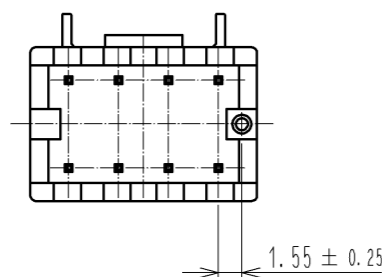
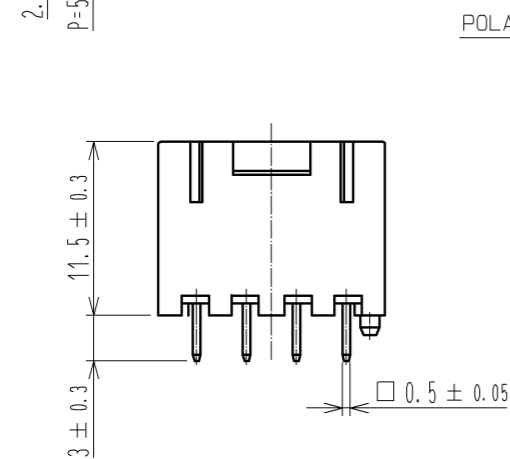
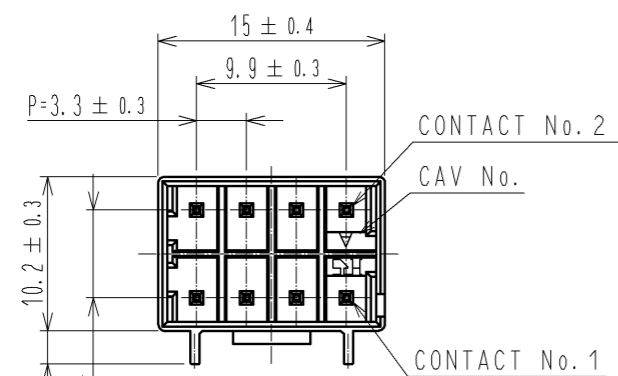
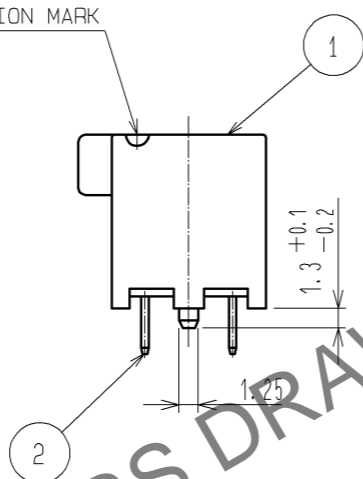


Aug.1.2024 Copyright 2024 HIROSE ELECTRIC CO., LTD. All Rights Reserved.
 In case of consideration for using Automotive equipment / device which demand high reliability, kindly contact our sales window correspondents.

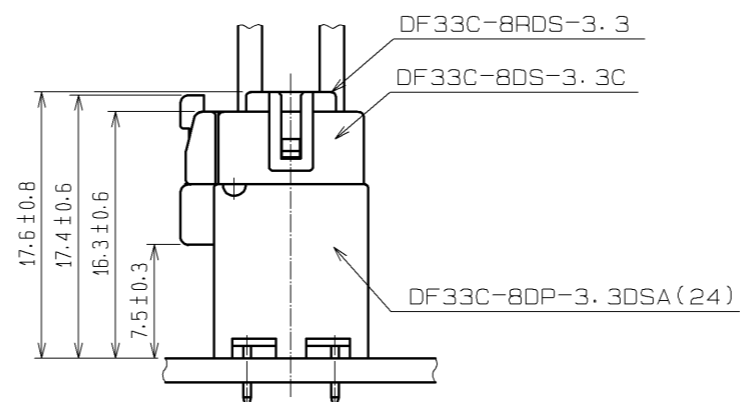


POLARIZATION MARK

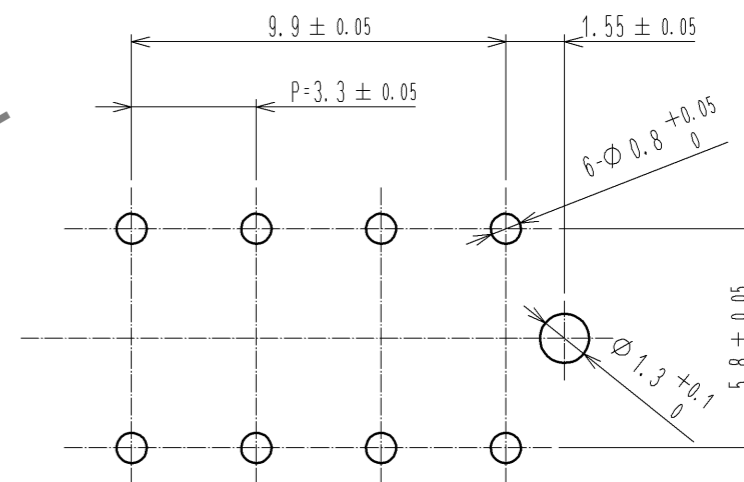


LOT No.

APPLICATION DIAGRAM



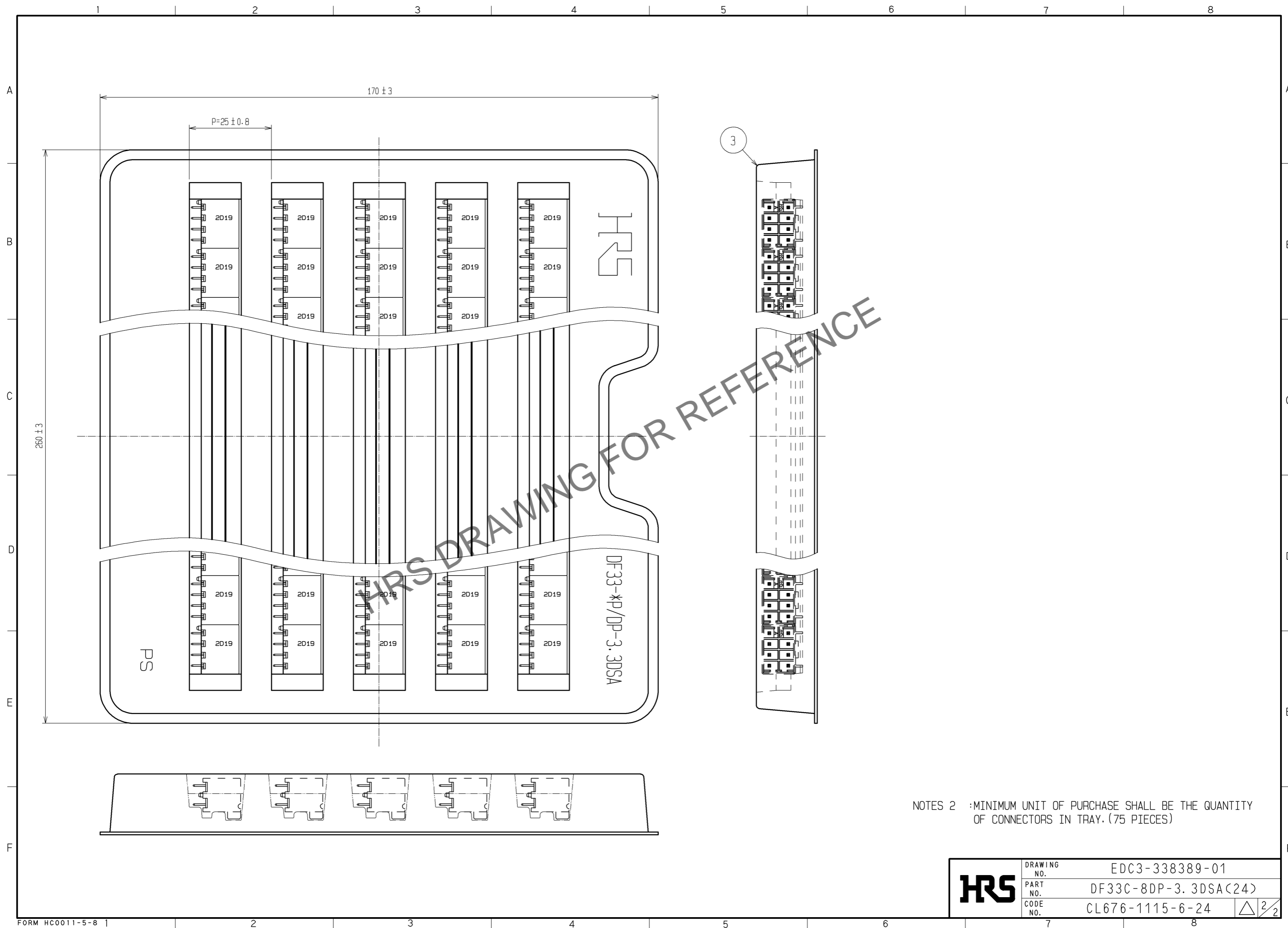
RECOMMENDED PATTERN(5:1)
 (RECOMMENDED BOARD THICKNESS t=1.6mm)



NOTES 1 :IMMERSION DEPTH INTO POTTING SOLUTION:6.5mm

1	PBT	WHITE, UL94V-0	3	HIPS	TRAY			
2	BRASS		2	BRASS	SURFACE:TIN PLATED 1μm min UNDER PLATING:NICKEL PLATED 0.5μm min			
NO.	MATERIAL	FINISH, REMARKS	NO.	MATERIAL	FINISH, REMARKS			
UNITS	mm	SCALE	2:1	COUNT	DESCRIPTION OF REVISIONS	DESIGNED	CHECKED	DATE
HRS HIROSE ELECTRIC CO., LTD.		APPROVED : KI. AKIYAMA	12.10.05	DRAWING NO. EDC3-338389-01				
		CHECKED : HK. UMEHARA	12.10.04	PART NO. DF33C-8DP-3.3DSA(24)				
		DESIGNED : HT. SATO	12.10.04	CODE NO. CL676-1115-6-24				
		DRAWN : MI. SAKIMURA	12.10.02					

Aug.1.2024 Copyright 2024 HIROSE ELECTRIC CO., LTD. All Rights Reserved.
In case of consideration for using Automotive equipment / device which demand high reliability, kindly contact our sales window correspondents.



NOTES 2 :MINIMUM UNIT OF PURCHASE SHALL BE THE QUANTITY OF CONNECTORS IN TRAY.(75 PIECES)

HRS	DRAWING NO.	EDC3-338389-01
	PART NO.	DF33C-8DP-3.3DSA(24)
	CODE NO.	CL676-1115-6-24

2/2