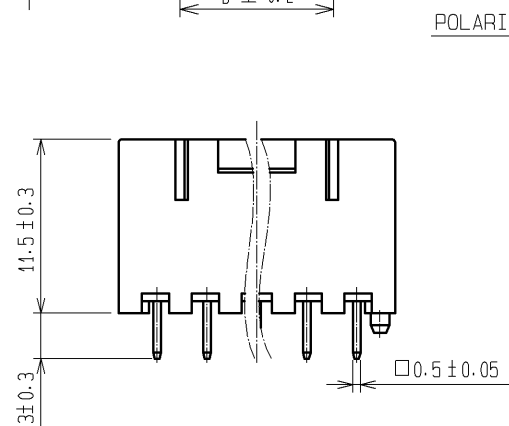
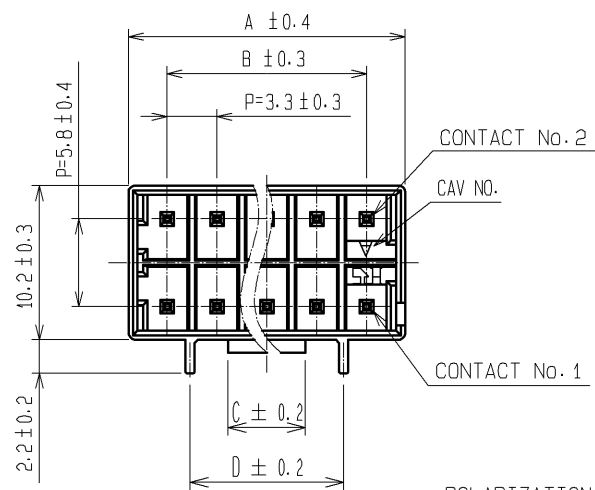
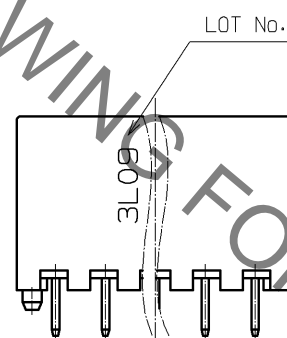
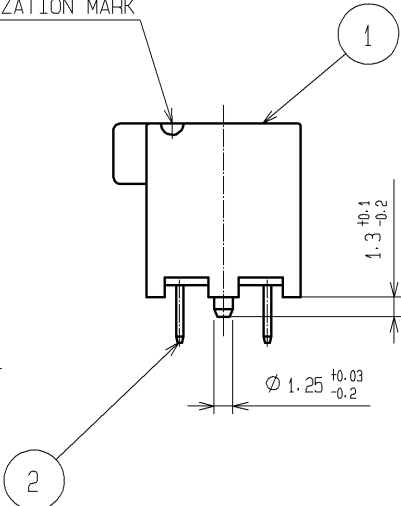


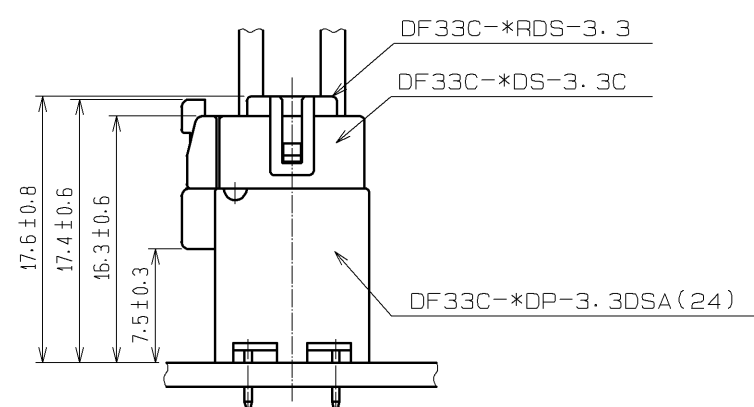
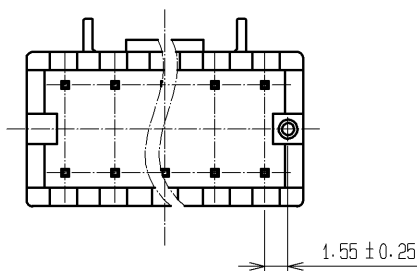
May.1.2021 Copyright 2021 HIROSE ELECTRIC CO., LTD. All Rights Reserved.  
In case of consideration for using Automotive equipment / device which demand high reliability, kindly contact our sales window correspondents.



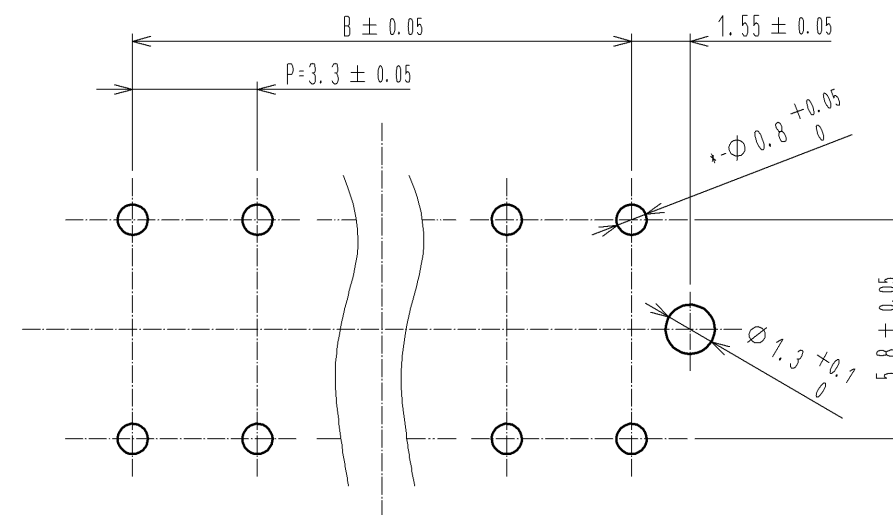
POLARIZATION MARK



APPLICATION DIAGRAM



RECOMMENDED PATTERN(5:1)  
(RECOMMENDED BOARD THICKNESS t=1.6mm)

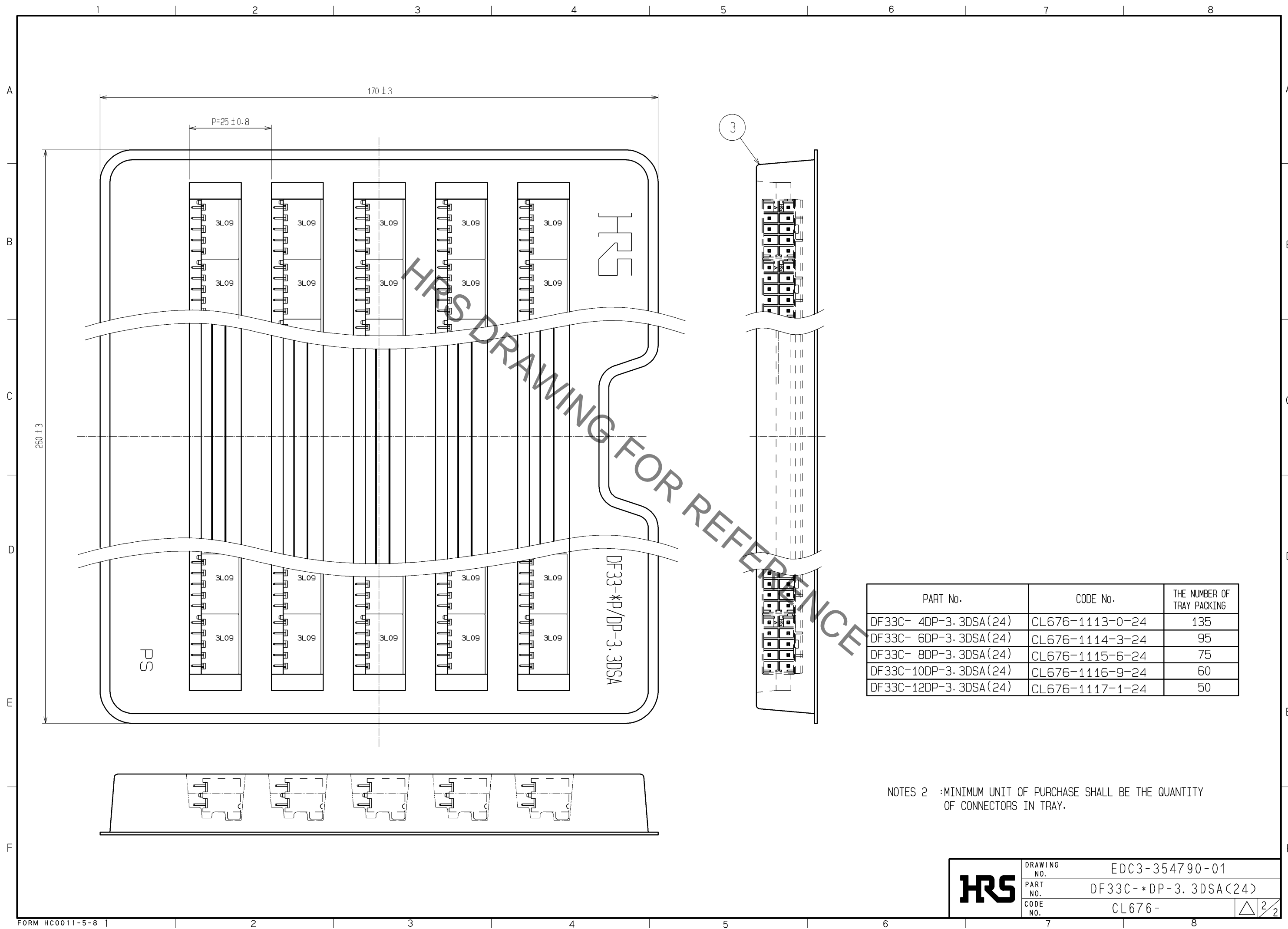


PART No.	CODE No.	THE NUMBER OF CONTACT	A	B	C	D
DF33C-4DP-3.3DSA(24)	CL676-1113-0-24	4	8.4	-	2.5	6.8
DF33C-6DP-3.3DSA(24)	CL676-1114-3-24	6	11.7	6.6	2.5	6.8
DF33C-8DP-3.3DSA(24)	CL676-1115-6-24	8	15.0	9.9	5.1	10.15
DF33C-10DP-3.3DSA(24)	CL676-1116-9-24	10	18.3	13.2	5.1	10.15
DF33C-12DP-3.3DSA(24)	CL676-1117-1-24	12	21.6	16.5	5.1	10.15

NOTES 1 : IMMERSION DEPTH INTO POTTING SOLUTION: 6.5mm

1	POLYAMIDE	(BEIGE)UL94V-0	3	HIPS	TRAY		
2	BRASS		2	BRASS	SURFACE:TIN PLATED 1µm min UNDER PLATING:NICKEL PLATED 0.5µm min		
NO.	MATERIAL	FINISH . REMARKS	NO.	MATERIAL	FINISH . REMARKS		
UNITS mm	⊕	SCALE 2 : 1	COUNT △	DESCRIPTION OF REVISIONS	DESIGNED	CHECKED	DATE
APPROVED : KI. AKIYAMA		13.12.17		DRAWING NO.		EDC3-354790-01	
CHECKED : HK. UMEHARA		13.12.17		PART NO.		DF33C-*DP-3.3DSA(24)	
DESIGNED : HT. SATO		13.12.17		CODE NO.		CL676-	
DRAWN : MI. SAKIMURA		13.12.17				△ 1/2	

May.1.2021 Copyright 2021 HIROSE ELECTRIC CO., LTD. All Rights Reserved.  
 In case of consideration for using Automotive equipment / device which demand high reliability, kindly contact our sales window correspondents.



PART No.	CODE No.	THE NUMBER OF TRAY PACKING
DF33C- 4DP-3. 3DSA (24)	CL676-1113-0-24	135
DF33C- 6DP-3. 3DSA (24)	CL676-1114-3-24	95
DF33C- 8DP-3. 3DSA (24)	CL676-1115-6-24	75
DF33C-10DP-3. 3DSA (24)	CL676-1116-9-24	60
DF33C-12DP-3. 3DSA (24)	CL676-1117-1-24	50

NOTES 2 :MINIMUM UNIT OF PURCHASE SHALL BE THE QUANTITY OF CONNECTORS IN TRAY.

<b>HS</b>	DRAWING NO.	EDC3-354790-01
	PART NO.	DF33C-*DP-3. 3DSA(24)
	CODE NO.	CL676-

△ 2/2