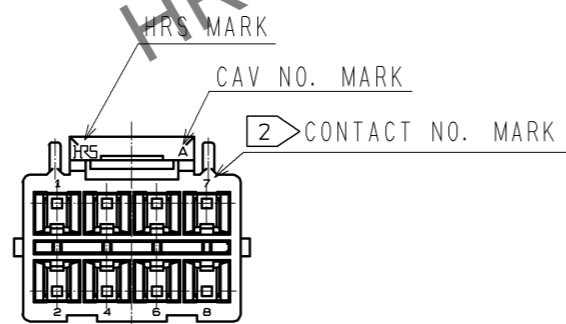
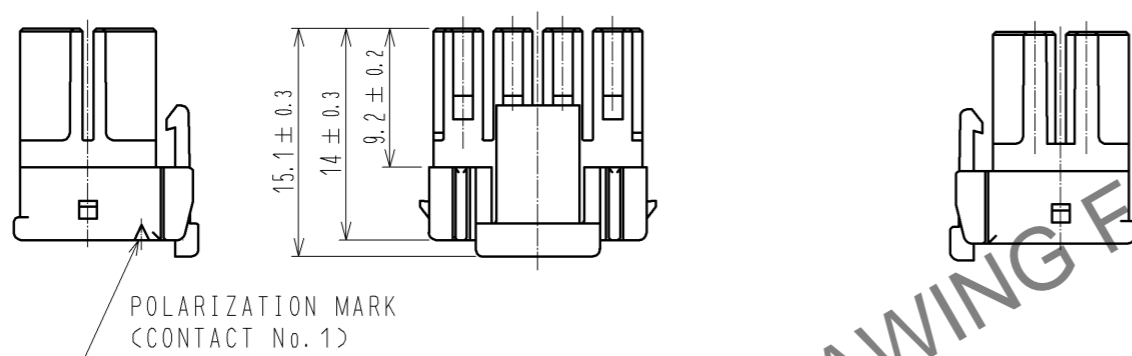
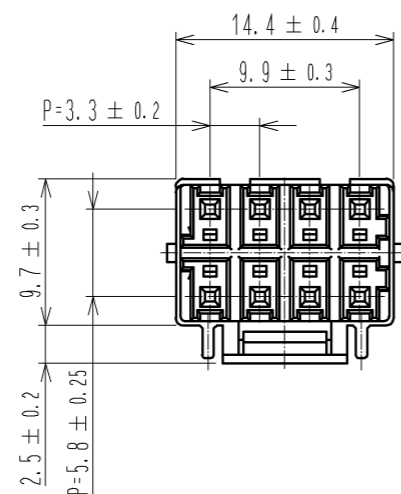


Aug.1.2024 Copyright 2024 HIROSE ELECTRIC CO., LTD. All Rights Reserved.
 In case of consideration for using Automotive equipment / device which demand high reliability, kindly contact our sales window correspondents.



HRS DRAWING FOR REFERENCE

NOTES 1 : 100 CONNECTORS ARE IN ONE PACK.
 ② : CONTACT No. 3 AND No. 5 ARE NOT INDICATED.

1	PBT	WHITE, UL94V-0					
NO.	MATERIAL	FINISH . REMARKS	NO.	MATERIAL	FINISH . REMARKS		
UNITS mm		SCALE 2 : 1		COUNT	DESCRIPTION OF REVISIONS	DESIGNED	CHECKED
HRS HIROSE ELECTRIC CO., LTD.		APPROVED : KI. AKIYAMA	12.10.05	DRAWING NO. EDC3-338396-01			
		CHECKED : HK. UMEHARA	12.10.04	PART NO. DF33C-8DS-3.3C			
		DESIGNED : HT. SATO	12.10.04	CODE NO. CL676-1121-9-00			
		DRAWN : MI. SAKIMURA	12.10.02			1/1	