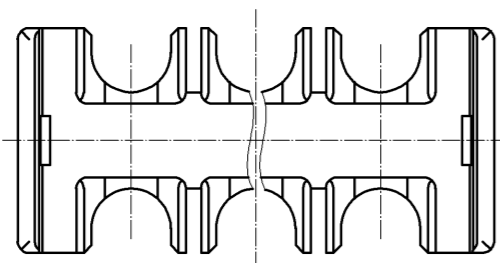
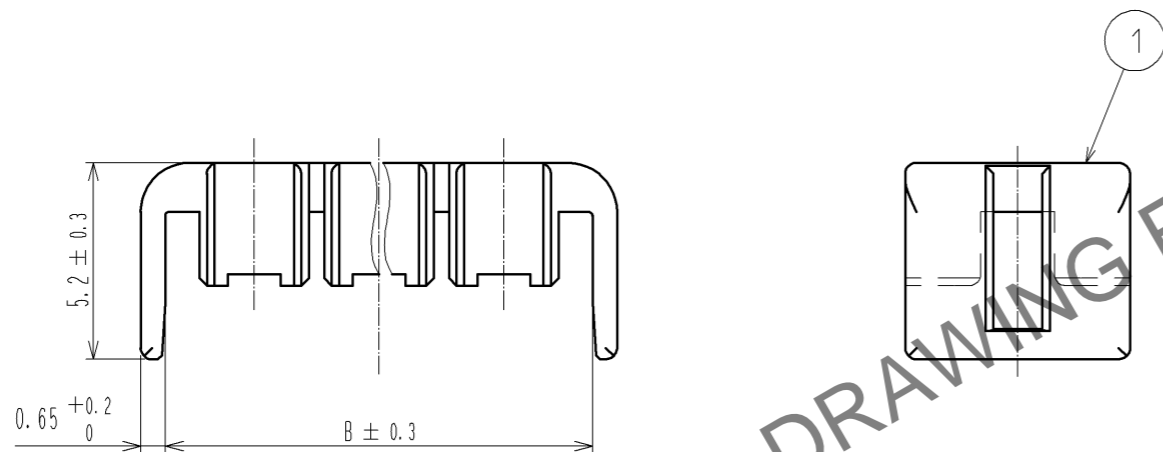
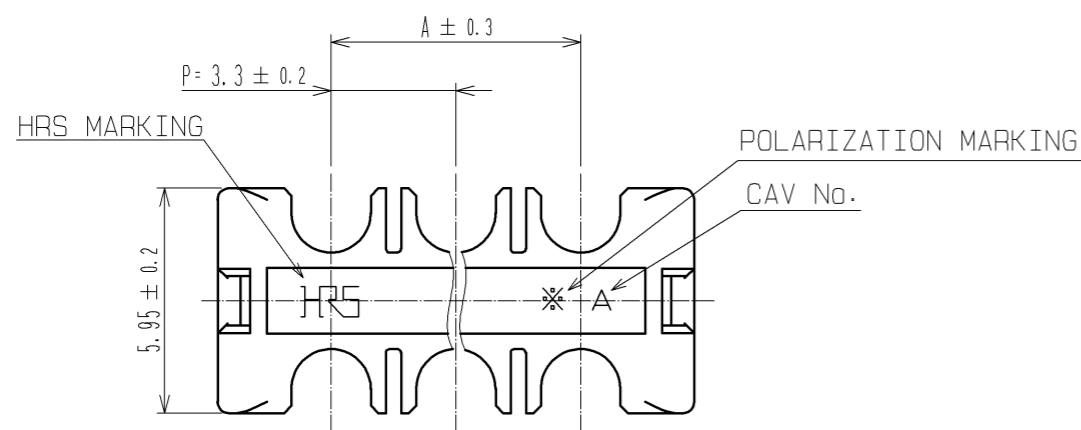


Aug.1.2024 Copyright 2024 HIROSE ELECTRIC CO., LTD. All Rights Reserved.
 In case of consideration for using Automotive equipment / device which demand high reliability, kindly contact our sales window correspondents.



HRS DRAWING FOR REFERENCE

PART No.	CODE No.	NUMBER OF CONTACT	A	B
DF33C-4RDS-3.3	CL676-1125-0-00	4	-	8
DF33C-6RDS-3.3	CL676-1126-2-00	6	6.6	11.3
DF33C-8RDS-3.3	CL676-1127-5-00	8	9.9	14.6
DF33C-10RDS-3.3	CL676-1128-8-00	10	13.2	17.9
DF33C-12RDS-3.3	CL676-1129-0-00	12	16.5	21.2

NOTE 1:100 CONNECTORS ARE IN ONE PACK.

NO.	MATERIAL	FINISH . REMARKS	NO.	MATERIAL	FINISH . REMARKS
			1	PBT	BLACK, UL94V-0
UNITS mm		SCALE 5 : 1		COUNT	DESCRIPTION OF REVISIONS
HRS HIROSE ELECTRIC CO., LTD.		APPROVED : KI. AKIYAMA 13.12.18	DESIGNED	CHECKED	DATE
		CHECKED : HK. UMEHARA 13.12.18	DRAWING NO. EDC3-355981-00		
		DESIGNED : HT. SATO 13.12.18	PART NO. DF33C-*RDS-3.3		
		DRAWN : MI. SAKIMURA 13.12.17	CODE NO. CL676-		