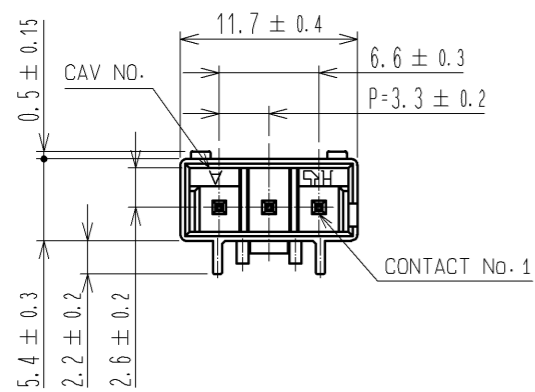
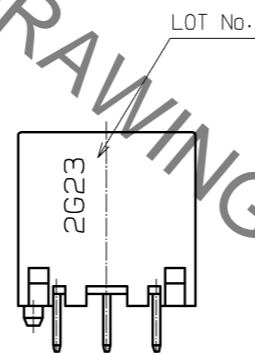
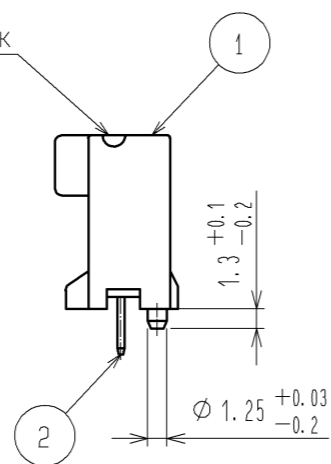
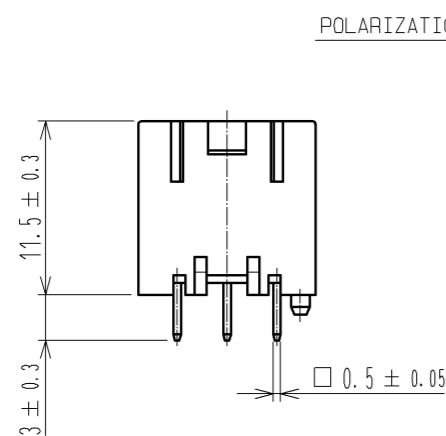
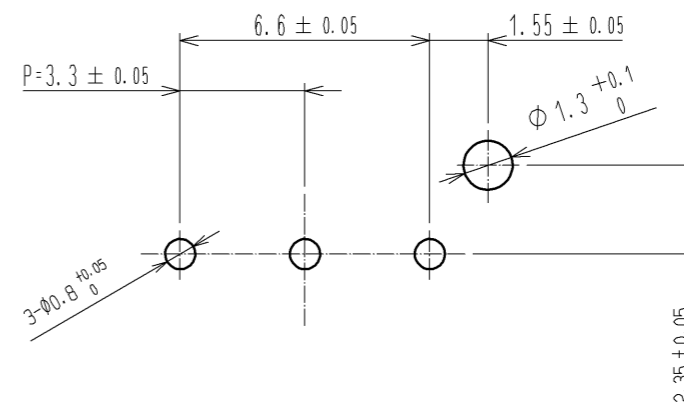


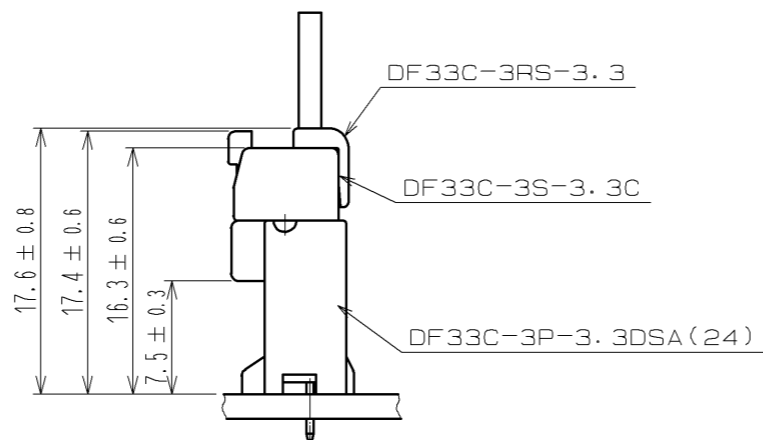
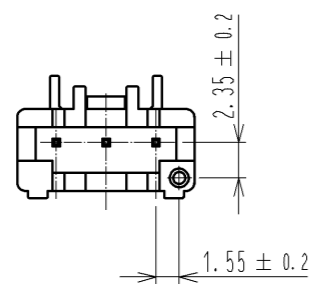
May.1.2021 Copyright 2021 HIROSE ELECTRIC CO., LTD. All Rights Reserved.
In case of consideration for using Automotive equipment / device which demand high reliability, kindly contact our sales window correspondents.



RECOMMENDED PATTERN(5:1)
(RECOMMENDED BOARD THICKNESS t=1.6mm)



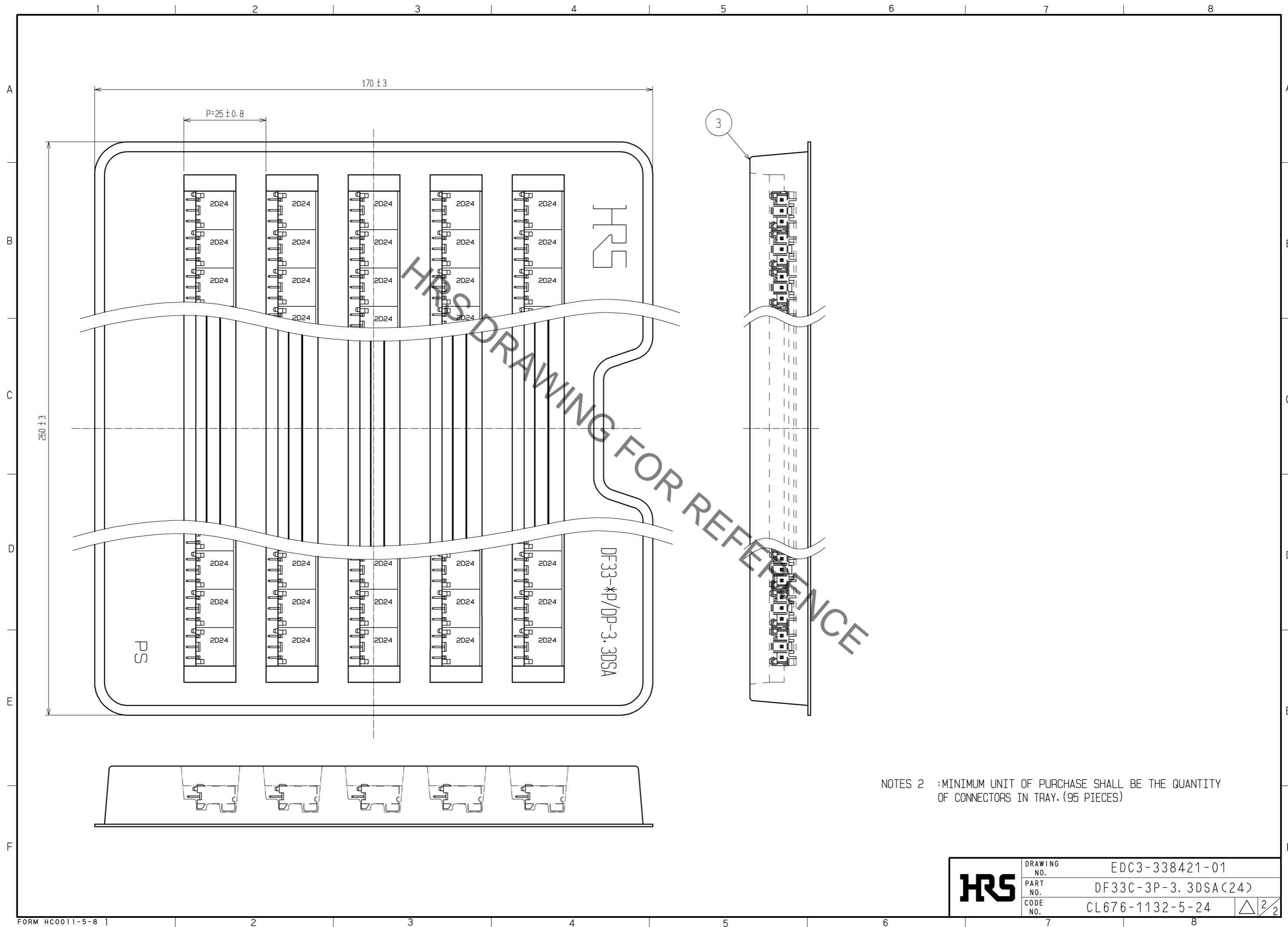
APPLICATION DIAGRAM



NOTES 1 :IMMERSION DEPTH INTO POTTING SOLUTION:6.5mm

1	PBT	WHITE, UL94V-0	3	HIPS	TRAY
2	BRASS		2	BRASS	SURFACE:TIN PLATED 1μm min UNDER PLATING:NICKEL PLATED 0.5μm min
NO.	MATERIAL	FINISH . REMARKS	NO.	MATERIAL	FINISH . REMARKS
UNITS mm		SCALE 2 : 1	COUNT 	DESCRIPTION OF REVISIONS	
HRS HIROSE ELECTRIC CO., LTD.		APPROVED : KI. AKIYAMA 12.07.24	DESIGNED	DRAWING NO. EDC3-338421-01	
		CHECKED : HK. UMEHARA 12.07.24	CHECKED	PART NO. DF33C-3P-3.3DSA(24)	
		DESIGNED : HT. SATO 12.07.24	DATE	CODE NO. CL676-1132-5-24	
		DRAWN : MI. SAKIMURA 12.07.24		1/2	

May.1.2021 Copyright 2021 HIROSE ELECTRIC CO., LTD. All Rights Reserved.
In case of consideration for using Automotive equipment / device which demand high reliability, kindly contact our sales window correspondents.



NOTES 2 :MINIMUM UNIT OF PURCHASE SHALL BE THE QUANTITY OF CONNECTORS IN TRAY. (95 PIECES)

HRS	DRAWING NO.	EDC3-338421-01
	PART NO.	DF33C-3P-3. 3DSA(24)
	CODE NO.	CL676-1132-5-24

2/2