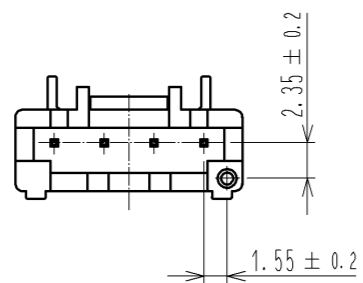
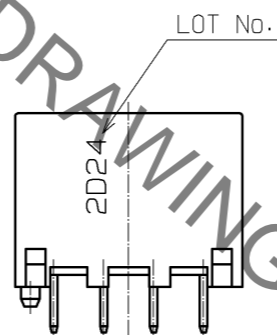
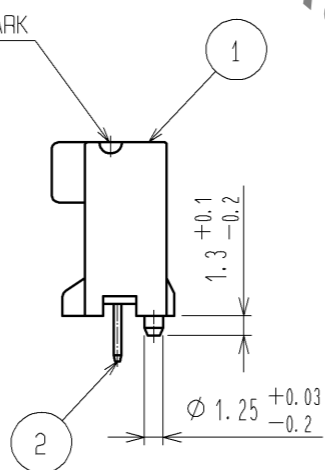
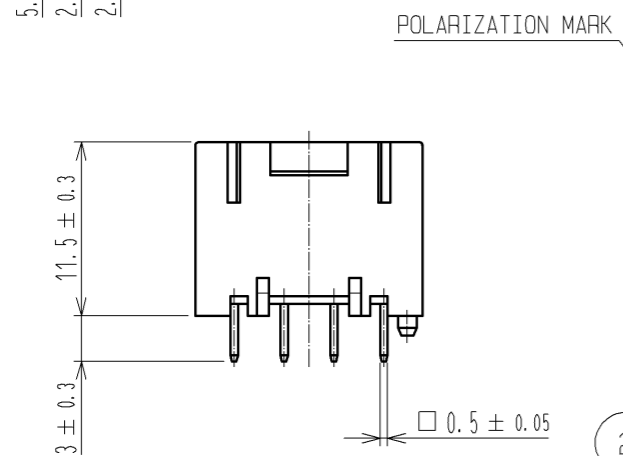
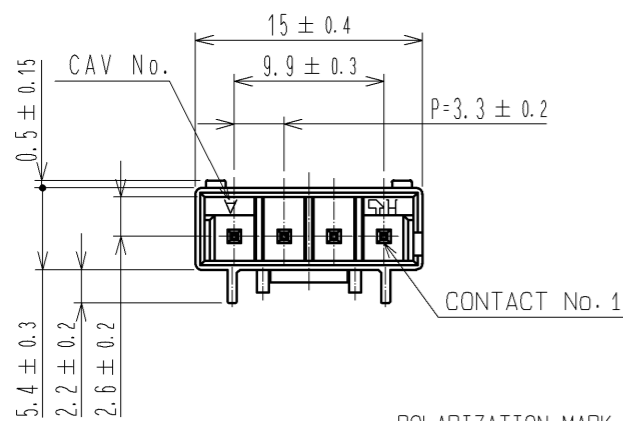
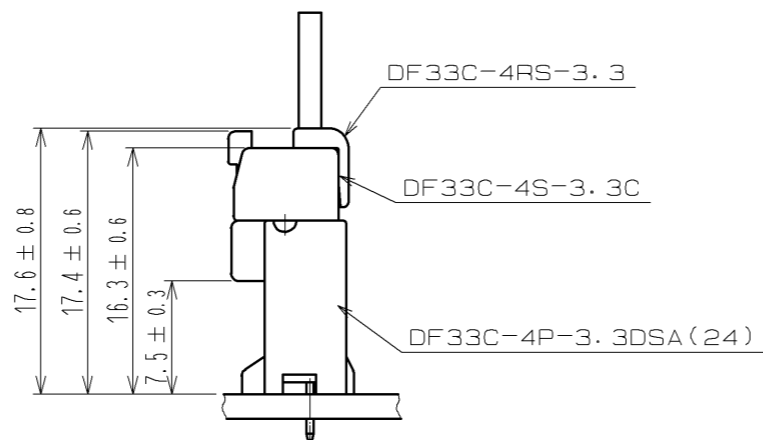


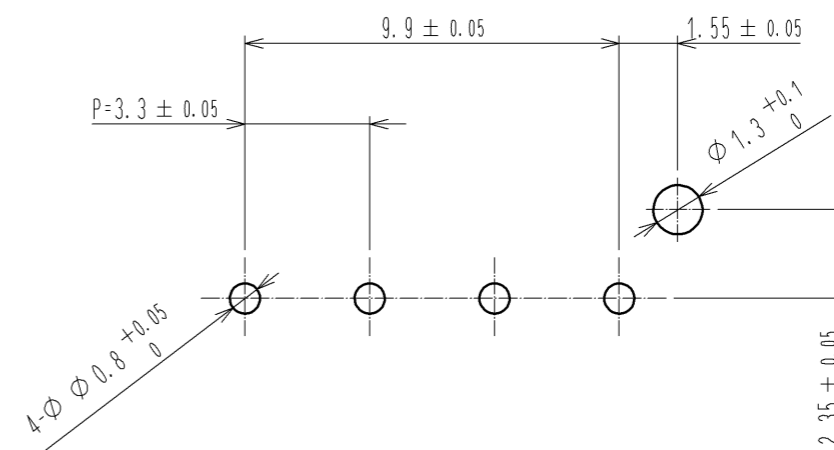
May.1.2021 Copyright 2021 HIROSE ELECTRIC CO., LTD. All Rights Reserved.
In case of consideration for using Automotive equipment / device which demand high reliability, kindly contact our sales window correspondents.



APPLICATION DIAGRAM



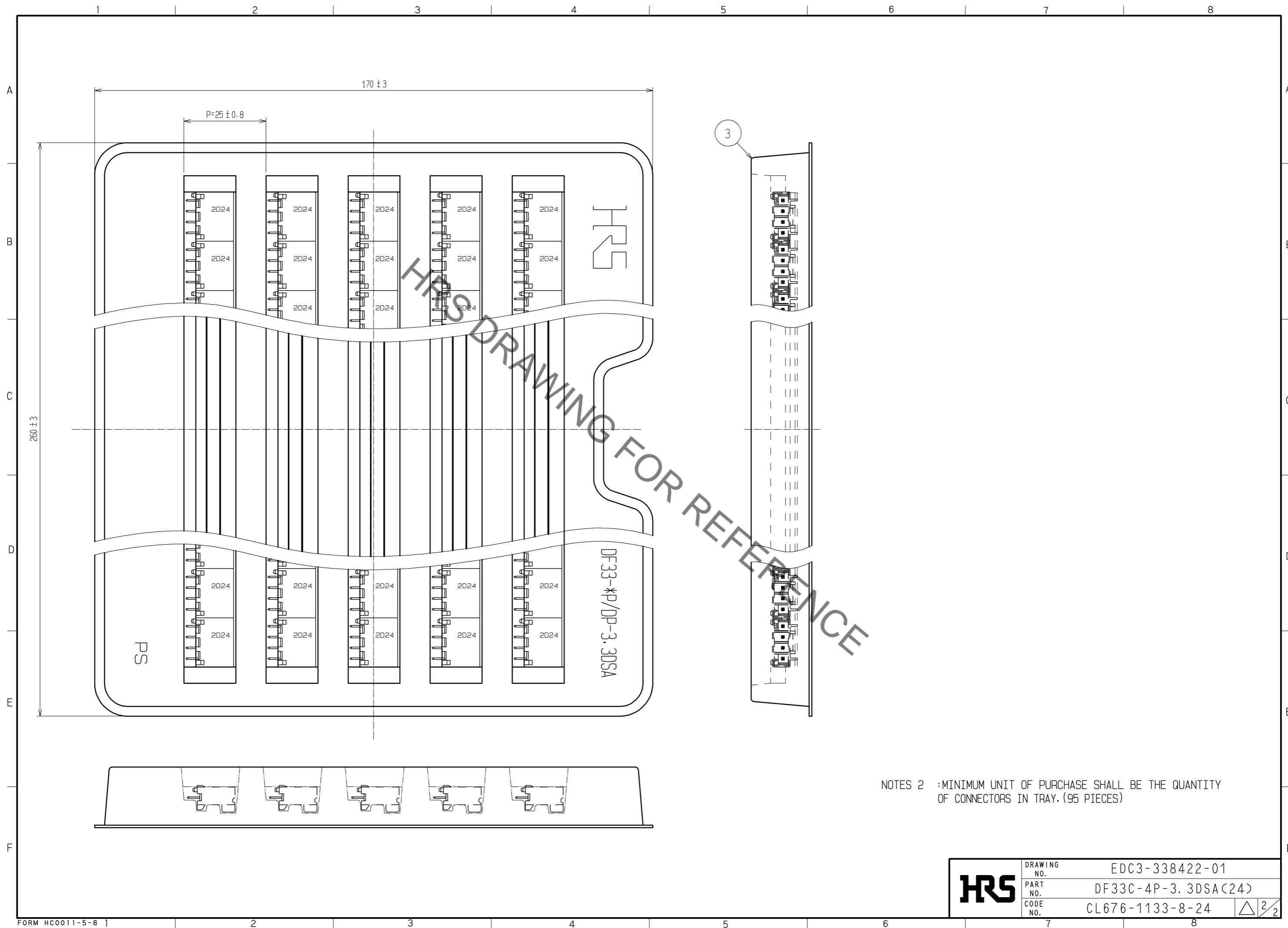
RECOMMENDED PATTERN(5:1)
(RECOMMENDED BOARD THICKNESS t=1.6mm)



NOTES 1 :IMMERSION DEPTH INTO POTTING SOLUTION:6.5mm

1	PBT	WHITE, UL94V-0	3	HIPS	TRAY		
2	BRASS		2	BRASS	SURFACE:TIN PLATED 1μm min UNDER PLATING:NICKEL PLATED 0.5μm min		
NO.	MATERIAL	FINISH, REMARKS	NO.	MATERIAL	FINISH, REMARKS		
UNITS mm		SCALE 2:1	COUNT △	DESCRIPTION OF REVISIONS	DESIGNED	CHECKED	DATE
HRS HIROSE ELECTRIC CO., LTD.		APPROVED : KI. AKIYAMA	13.08.23	DRAWING NO. EDC3-338422-01			
		CHECKED : HK. UMEHARA	13.08.23	PART NO. DF33C-4P-3.3DSA(24)			
		DESIGNED : HT. SATO	13.08.23	CODE NO. CL676-1133-8-24			
		DRAWN : MI. SAKIMURA	13.08.23			△ 1/2	

May.1.2021 Copyright 2021 HIROSE ELECTRIC CO., LTD. All Rights Reserved.
In case of consideration for using Automotive equipment / device which demand high reliability, kindly contact our sales window correspondents.



NOTES 2 :MINIMUM UNIT OF PURCHASE SHALL BE THE QUANTITY OF CONNECTORS IN TRAY. (95 PIECES)

HRS	DRAWING NO.	EDC3-338422-01
	PART NO.	DF33C-4P-3, 3DSA(24)
	CODE NO.	CL676-1133-8-24

△ 2/2