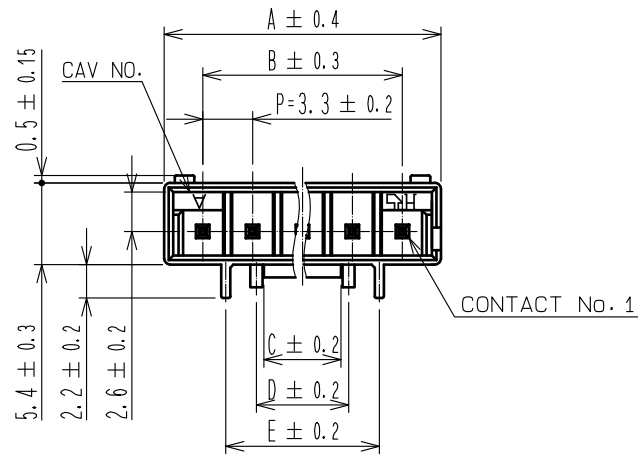
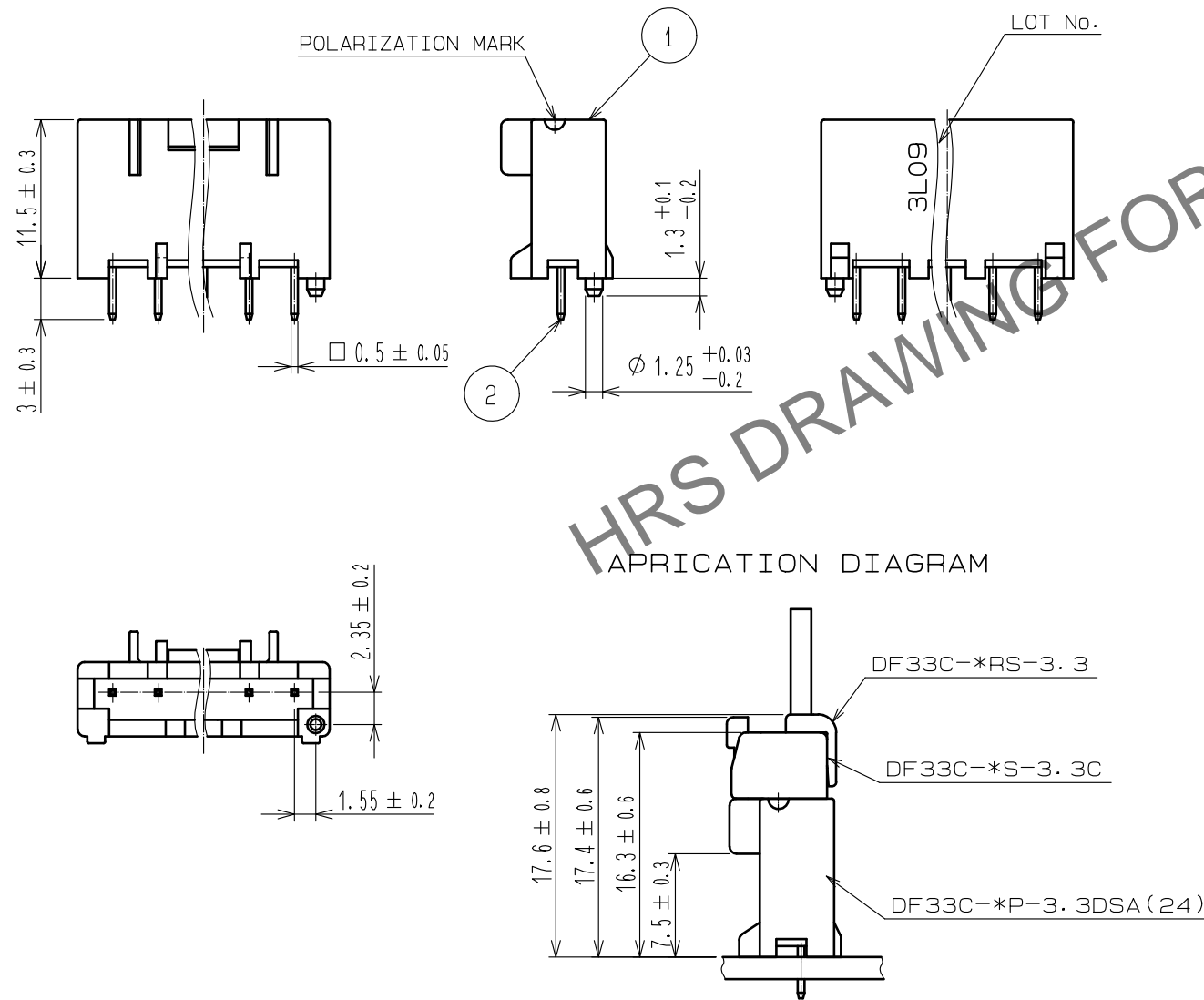
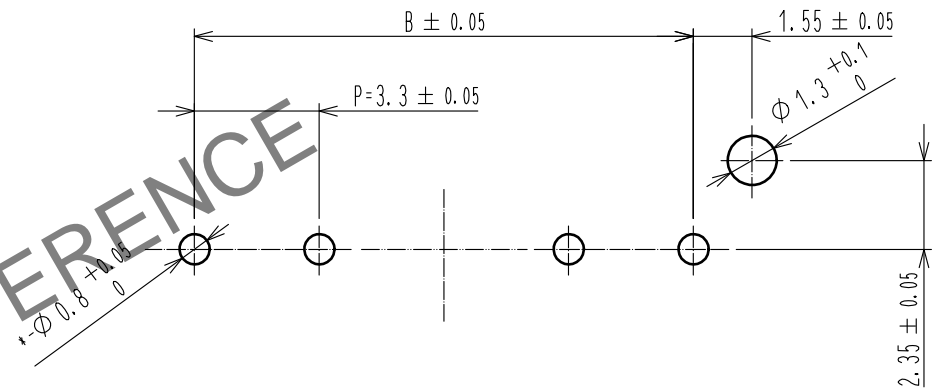


Jul.1.2024 Copyright 2024 HIROSE ELECTRIC CO., LTD. All Rights Reserved.
In case of consideration for using Automotive equipment / device which demand high reliability, kindly contact our sales window correspondents.



RECOMMENDED PATTERN(5:1)
(RECOMMENDED BOARD THICKNESS t=1.6mm)

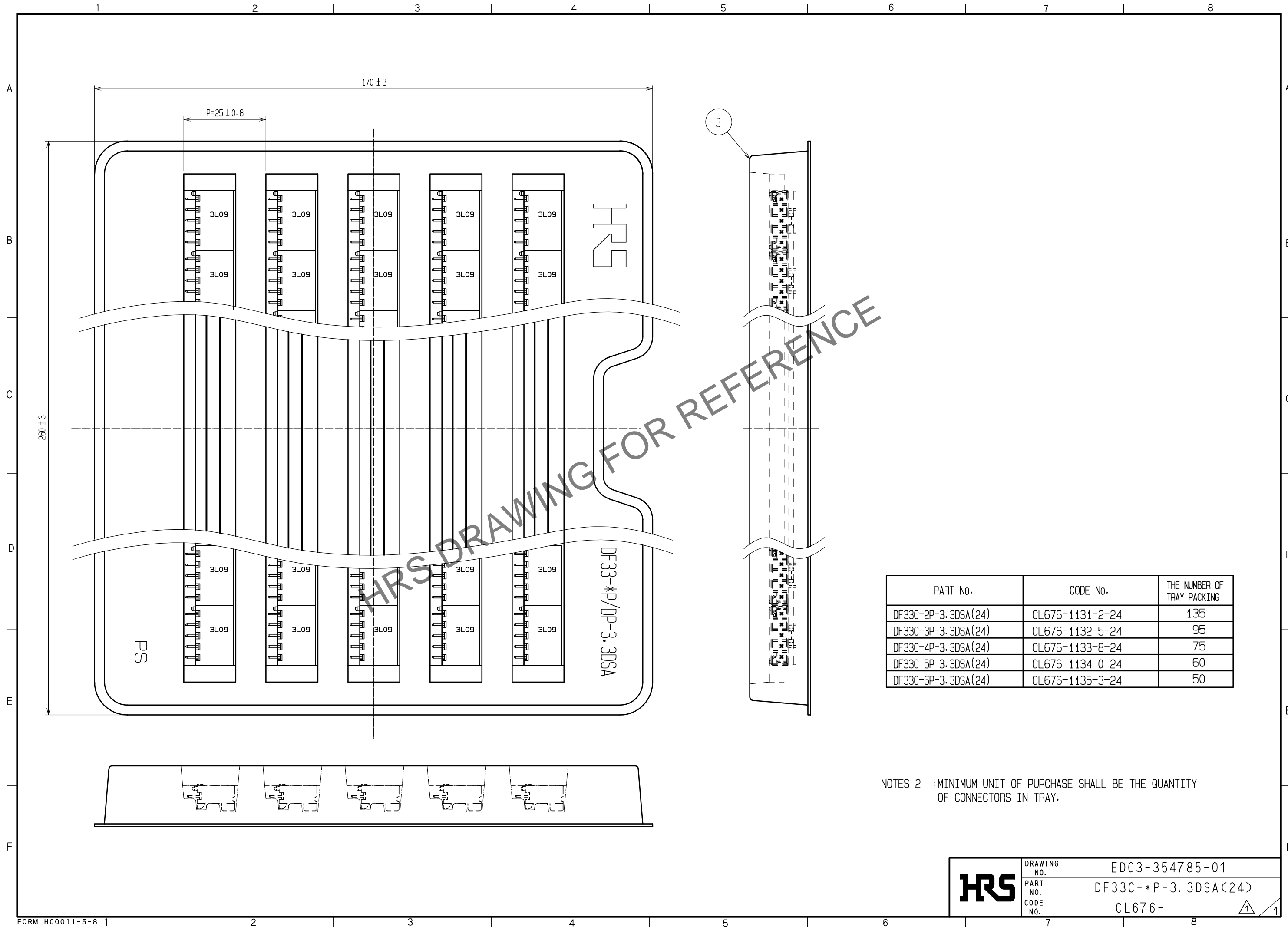


PART No.	CODE No.	THE NUMBER OF CONTACT	A	B	C	D	E
DF33C-2P-3.3DSA(24)	CL676-1131-2-24	2	8.4	—	2.5	3.5	6.8
DF33C-3P-3.3DSA(24)	CL676-1132-5-24	3	11.7	6.6	2.5	3.5	6.8
DF33C-4P-3.3DSA(24)	CL676-1133-8-24	4	15.0	9.9	5.1	6.1	10.15
DF33C-5P-3.3DSA(24)	CL676-1134-0-24	5	18.3	13.2	5.1	6.1	10.15
DF33C-6P-3.3DSA(24)	CL676-1135-3-24	6	21.6	16.5	5.1	6.1	10.15

NOTES 1 :IMMERSION DEPTH INTO POTTING SOLUTION:6.5mm
2 :FORCEFULLY UNMATING THE CONNECTORS WILL RISK DAMAGING THEM; THEREFORE,WHEN IT IS DIFFICULT TO UNMATE A CONNECTOR, FIRST GENTLY PRESS DOWN ON IT, THEN RELEASE THE LOCK TO ALLOW REMOVAL.

1	△PBT	△WHITE, UL94V-0	3	HIPS	TRAY		
2			2	BRASS	SURFACE:TIN PLATED 1μm min UNDER PLATING:NICKEL PLATED 0.5μm min		
NO.	MATERIAL	FINISH, REMARKS	NO.	MATERIAL	FINISH, REMARKS		
UNITS mm	⊙	SCALE 2:1	COUNT 2	DESCRIPTION OF REVISIONS DIS-H-00012938	DESIGNED SS. YAMASAKI	CHECKED SZ. ONO	DATE 20220323
APPROVED :KI. AKIYAMA		20131217		DRAWING NO. EDC3-354785-01			
CHECKED :HK. UMEHARA		20131217		PART NO. DF33C-*P-3.3DSA(24)			
DESIGNED :HT. SATO		20131217		CODE NO. CL676-			
DRAWN :MI. SAKIMURA		20131217		1/1			

Jul.1.2024 Copyright 2024 HIROSE ELECTRIC CO., LTD. All Rights Reserved.
 In case of consideration for using Automotive equipment / device which demand high reliability, kindly contact our sales window correspondents.



PART No.	CODE No.	THE NUMBER OF TRAY PACKING
DF33C-2P-3.3DSA(24)	CL676-1131-2-24	135
DF33C-3P-3.3DSA(24)	CL676-1132-5-24	95
DF33C-4P-3.3DSA(24)	CL676-1133-8-24	75
DF33C-5P-3.3DSA(24)	CL676-1134-0-24	60
DF33C-6P-3.3DSA(24)	CL676-1135-3-24	50

NOTES 2 :MINIMUM UNIT OF PURCHASE SHALL BE THE QUANTITY OF CONNECTORS IN TRAY.

HRS	DRAWING NO.	EDC3-354785-01
	PART NO.	DF33C-*P-3.3DSA(24)
	CODE NO.	CL676-