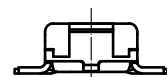
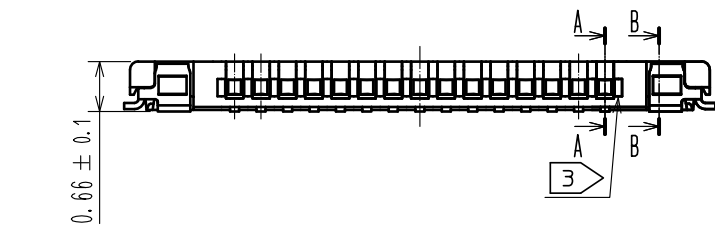
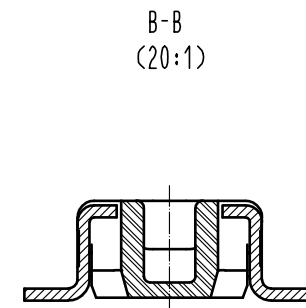
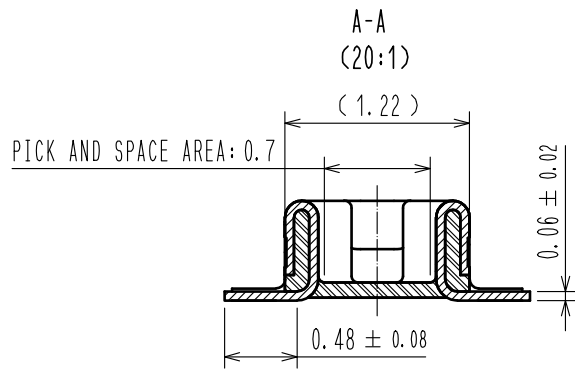
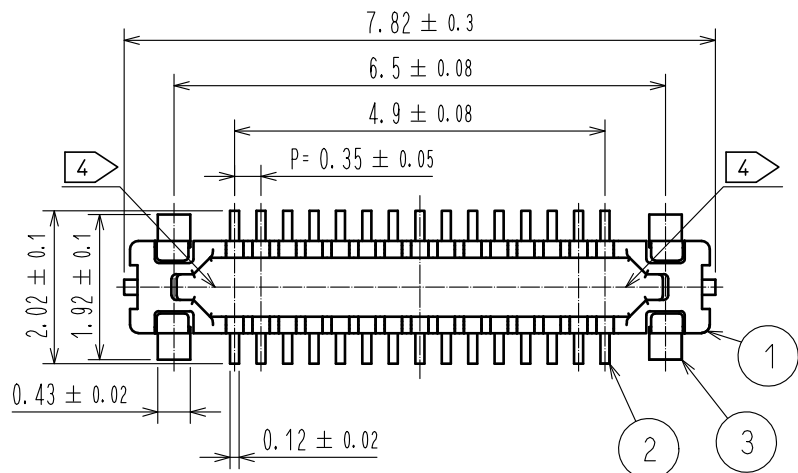
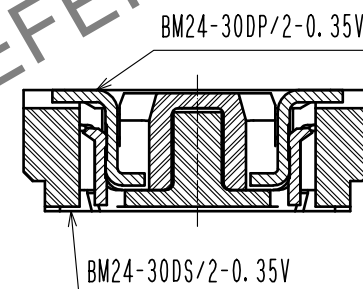
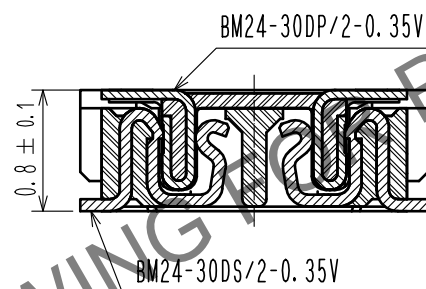


Sep.1.2024 Copyright 2024 HIROSE ELECTRIC CO., LTD. All Rights Reserved.  
In case of consideration for using Automotive equipment / device which demand high reliability, kindly contact our sales window correspondents.



ENGAGEMENT FIGURE (20:1)



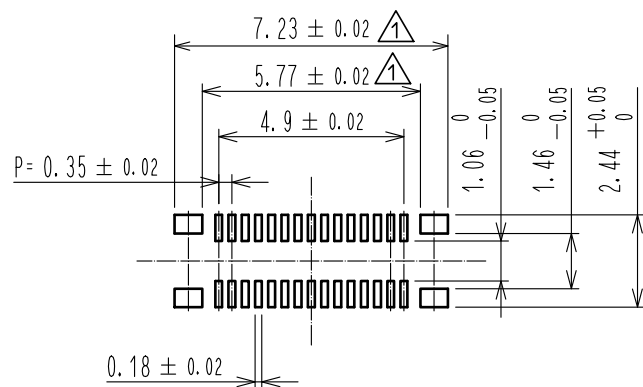
NOTE 1 . ALL LEAD CO-PLANARITY SHALL BE 0.08mm MAX.

2 CONTACT PLATING SPECIFICATIONS  
 CONTACT AREA : GOLD 0.05 μm MIN  
 SMT LEAD : GOLD 0.05 μm MIN  
 UNDER PLATING : NICKEL 1 μm MIN  
 ( SURFACE : SEALING )

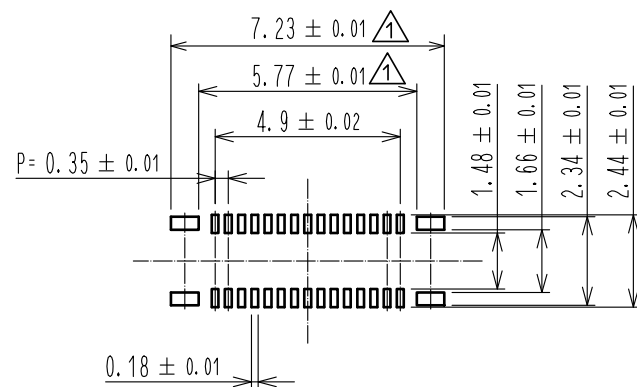
3 A PART OF THE WALL COULD BE NOTCHED.

4 HRS MARK AND CAV No. ARE INDICATED IN APPROX. POSITION SHOWN.

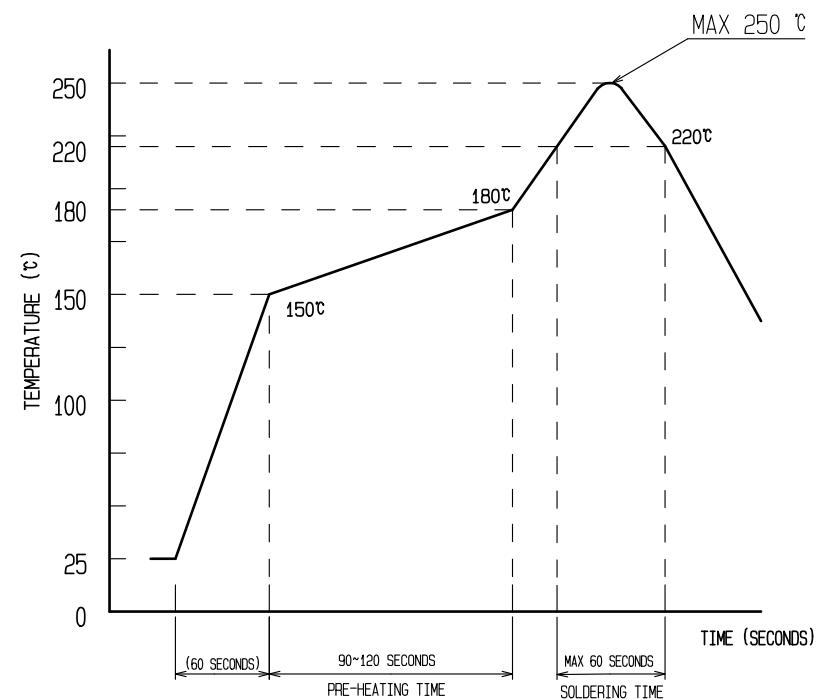
◆RECOMMENDED PCB LAYOUT



◆RECOMMENDED METAL MASK DIMENSIONS  
 METAL MASK THICKNESS : 100 μm



5 RECOMMENDED REFLOW TEMPERATURE PROFILE USING LEAD-FREE SOLDER PASTE.



REFLOW METHOD:IR REFLOW  
 NUMBER OF REFLOW CYCLES:2 CYCLES MAX.

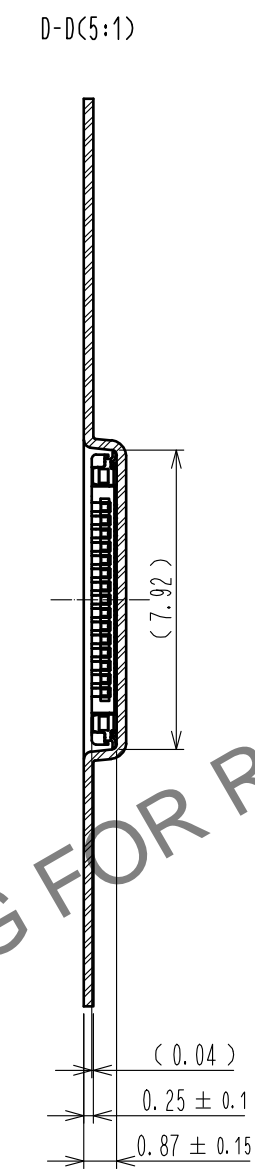
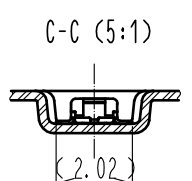
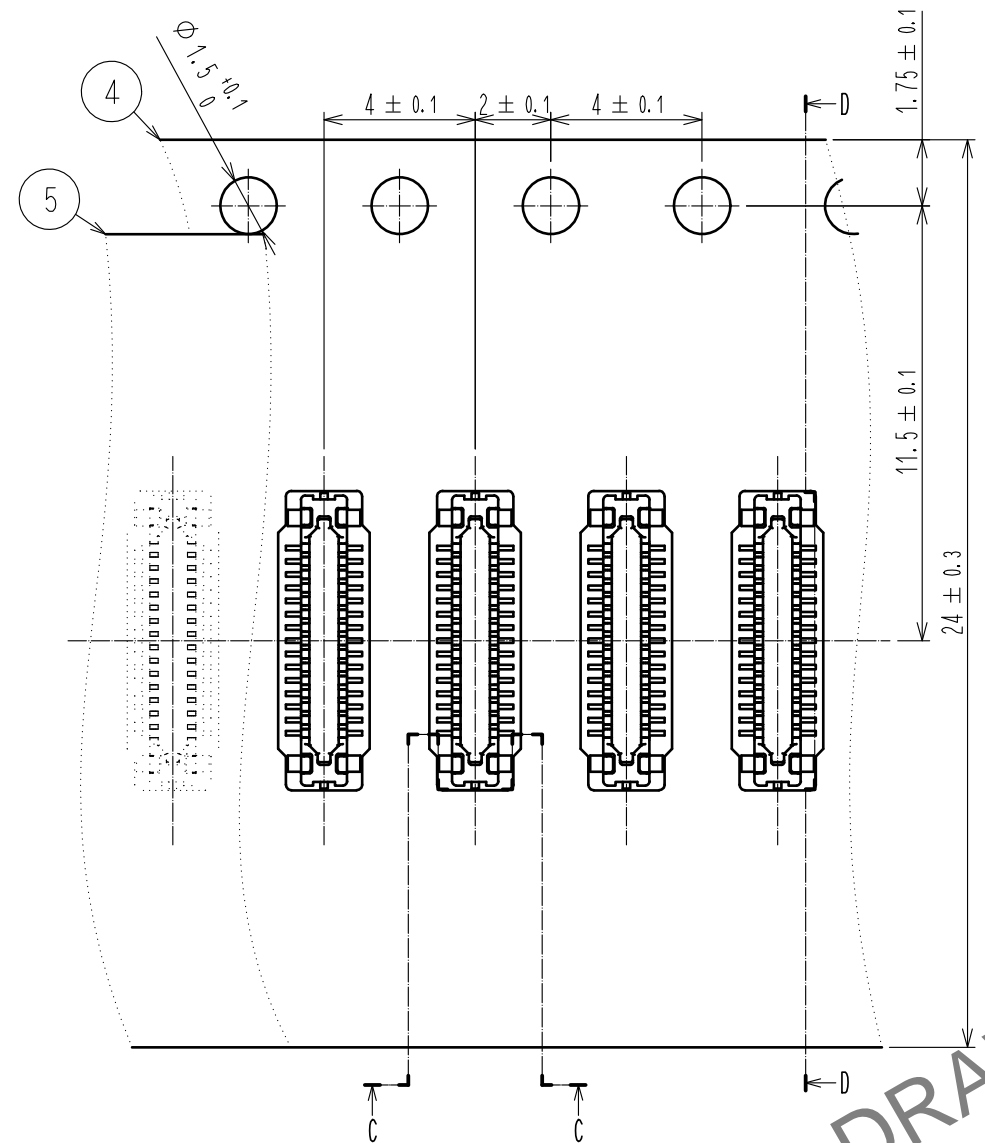
- 1)REFLOW TIME  
 DURATION ABOVE 220°C, 60 SEC MAX.  
 (PEAK TEMPERATURE:250°C MAX)
- 2)PRE-HEAT TIME  
 PRE-HEAT TEMPERATURE(MIN):150°C  
 PRE-HEAT TEMPERATURE(MAX):180°C  
 PRE-HEAT TIME:90-120 SEC.

5 THIS TEMPERATURE PROFILE IS PER THE CONDITIONS SHOWN ABOVE. ADDITIONAL FACTORS, SUCH AS SOLDER PASTE TYPE, PCB SIZE AND OTHER MOUNTED COMPONENTS COULD AFFECT THE PROFILE. THEREFORE, A THOROUGH EVALUATION OF MOUNTING COONDITION IS REQUIRED PRIOR TO PRODUCTION. TEPERATURE IS MEASURED AT CONTACT LEAD.  
 6. PLEASE CONTACT US IN CASE YOU WILL MAKE DIFFERENT SETTINGS FROM OUR RECOMMENDATION.

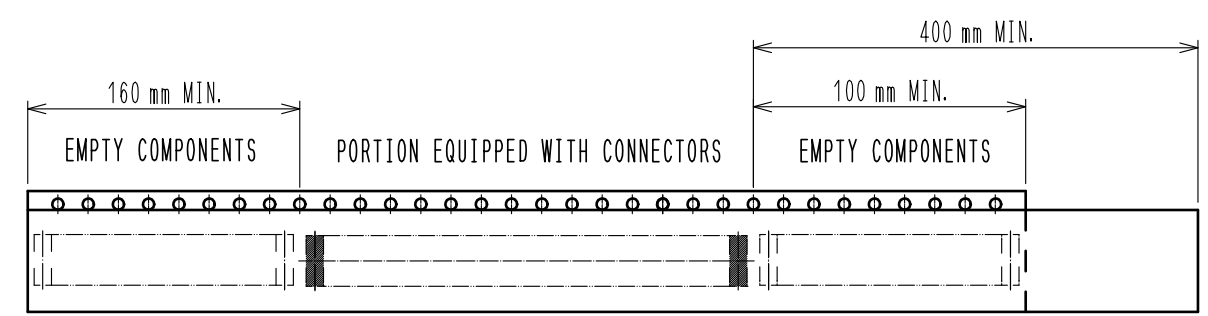
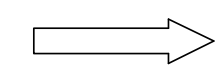
4	PS	CLEAR(EMBOSSED CARRIER TAPE)			
3	COPPER ALLOY	2	7	PS	CLEAR (REINFORCEMENT COLLAR)
2	PHOSPHOR BRONZE	2	6	PS	BLACK (PLASTIC REEL)
1	LCP	UL94 V-0, BLACK	5	POLYESTER	CLEAR (COVER TAPE)
NO.	MATERIAL	FINISH . REMARKS	NO.	MATERIAL	FINISH . REMARKS
UNITS	mm	SCALE	10 : 1	COUNT	4
DESCRIPTION OF REVISIONS		DESIGNED	NY. YAMASHIRO	CHECKED	TS. MIYAZAKI
DATE		14. 04. 04		DATE	15. 12. 03
APPROVED : KH. IKEDA		14. 04. 04	DRAWING NO. EDC3-356935-02		
CHECKED : WR. FUKUCHI		14. 04. 04	PART NO. BM24-30DP/2-0.35V(51)		
DESIGNED : YH. HASEGAWA		14. 04. 04	CODE NO. CL677-2007-5-51		
DRAWN : YH. HASEGAWA		14. 04. 04	1/2		

Sep.1.2024 Copyright 2024 HIROSE ELECTRIC CO., LTD. All Rights Reserved.  
In case of consideration for using Automotive equipment / device which demand high reliability, kindly contact our sales window correspondents.

EMBOSSED CARRIER TAPE PACKAGING (FREE)

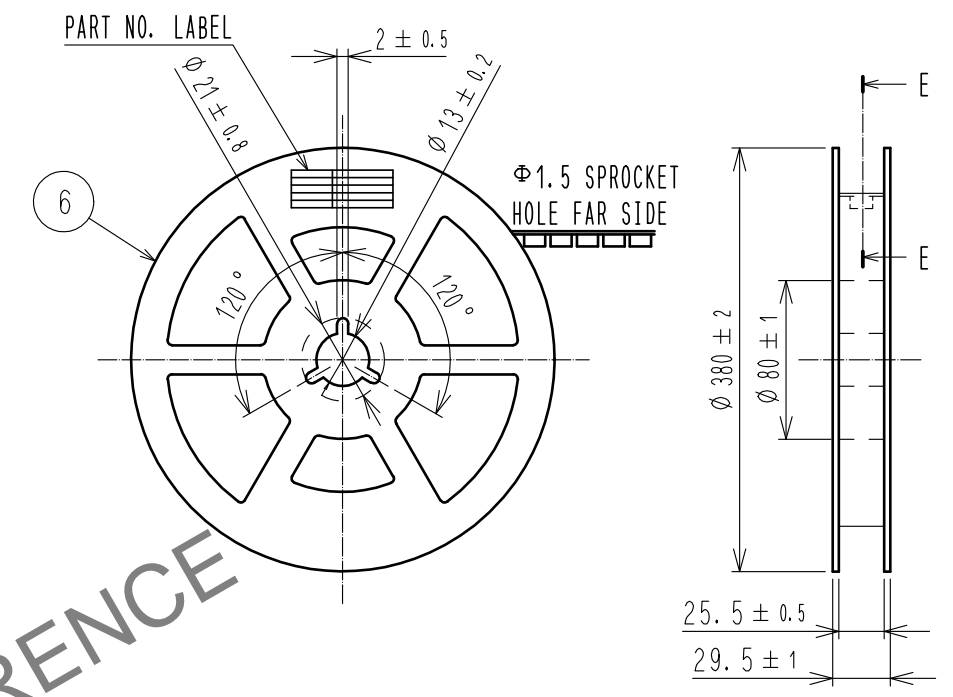


DIRECTION OF UNREELING

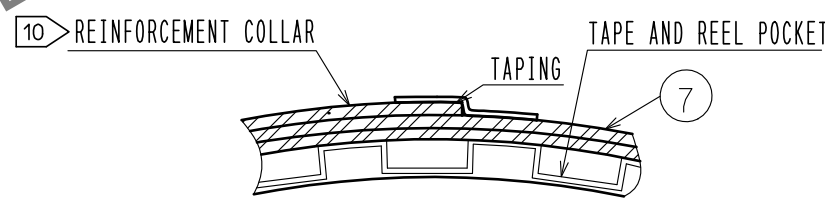


9 TAPING (FREE)

STYLE AND DIMENTION OF REEL (FREE)



E-E (FREE)



DETAIL OF PART NO. LABEL

製造年月日	** ** *	DATA OF MANUFACTURED
製品コード	CL0677-2007-5(51)	CODE NO.
製品名	BM24-30DP/2-0.35V(51)	PART NO.
数量	10,000	QUANTITY
納入者	ヒロセ電機(株)	SUPPLIER

- 7 . PER REEL 10,000 CONNECTORS.
- 8 . THE DIMENSIONS IN PARENTHESES ARE FOR REFERENCE.
- 9 REFER TO JIS C 0806(PACKAGING OF COMPONENTS FOR AUTOMATIC HANDLING)
- 10 AFTER PACKAGING. ROLL 2 METERS OF THE REINFORCEMENT COLLAR TO OUTER CIRCUMFERENCE OF TAPE AND REEL POCKET. AND TAPE DOWN AT THE END THE COLLAR.

<b>HRS</b>	DRAWING NO.	EDC3-356935-02
	PART NO.	BM24-30DP/2-0.35V(51)
	CODE NO.	CL677-2007-5-51
		$\triangle$ 2/2