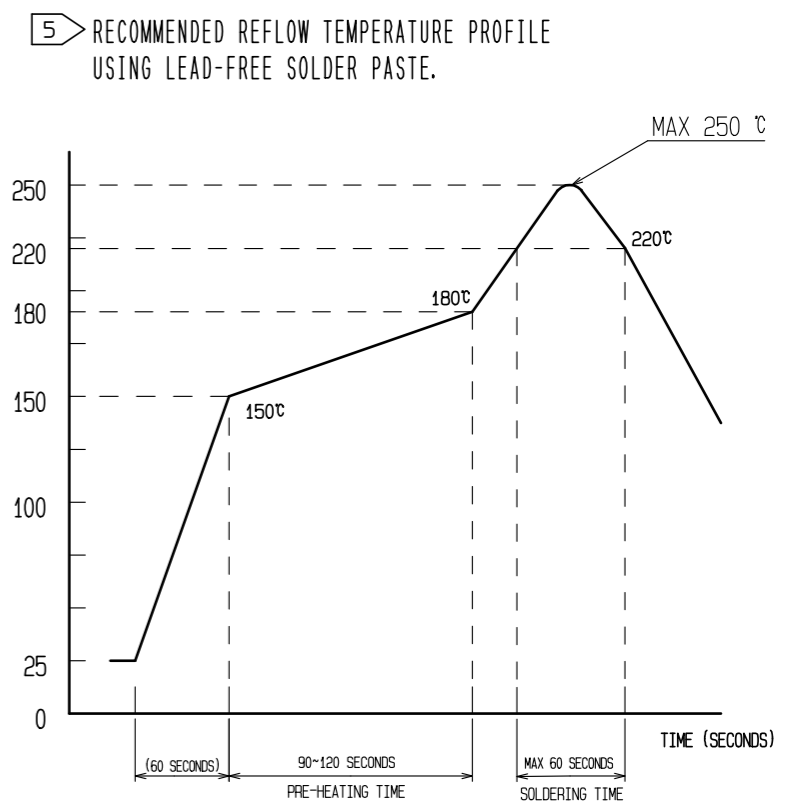
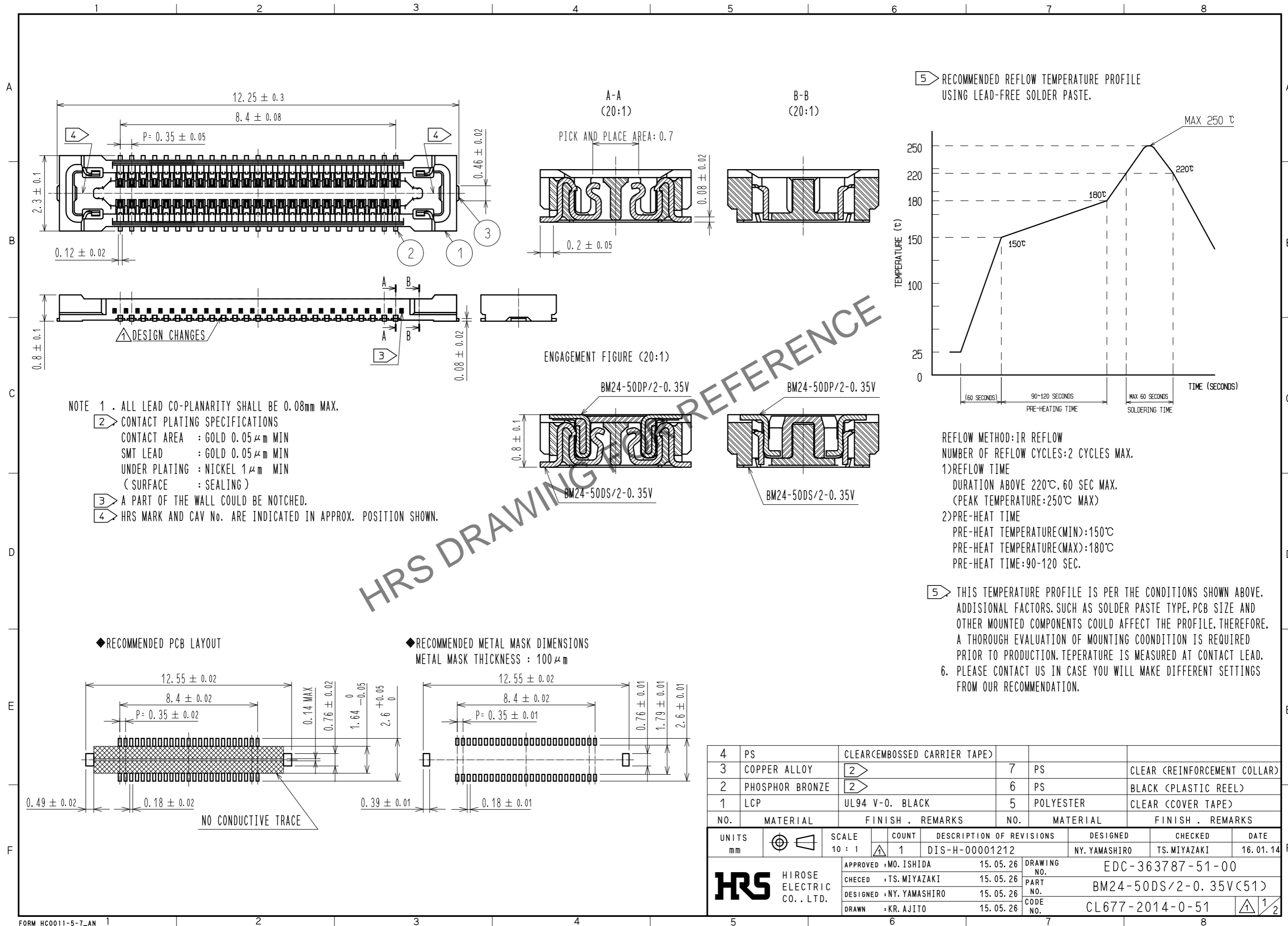


Sep.1.2024 Copyright 2024 HIROSE ELECTRIC CO., LTD. All Rights Reserved.  
In case of consideration for using Automotive equipment / device which demand high reliability, kindly contact our sales window correspondents.



REFLOW METHOD: IR REFLOW  
NUMBER OF REFLOW CYCLES: 2 CYCLES MAX.

1) REFLOW TIME  
DURATION ABOVE 220°C, 60 SEC MAX.  
(PEAK TEMPERATURE: 250°C MAX)

2) PRE-HEAT TIME  
PRE-HEAT TEMPERATURE (MIN): 150°C  
PRE-HEAT TEMPERATURE (MAX): 180°C  
PRE-HEAT TIME: 90-120 SEC.

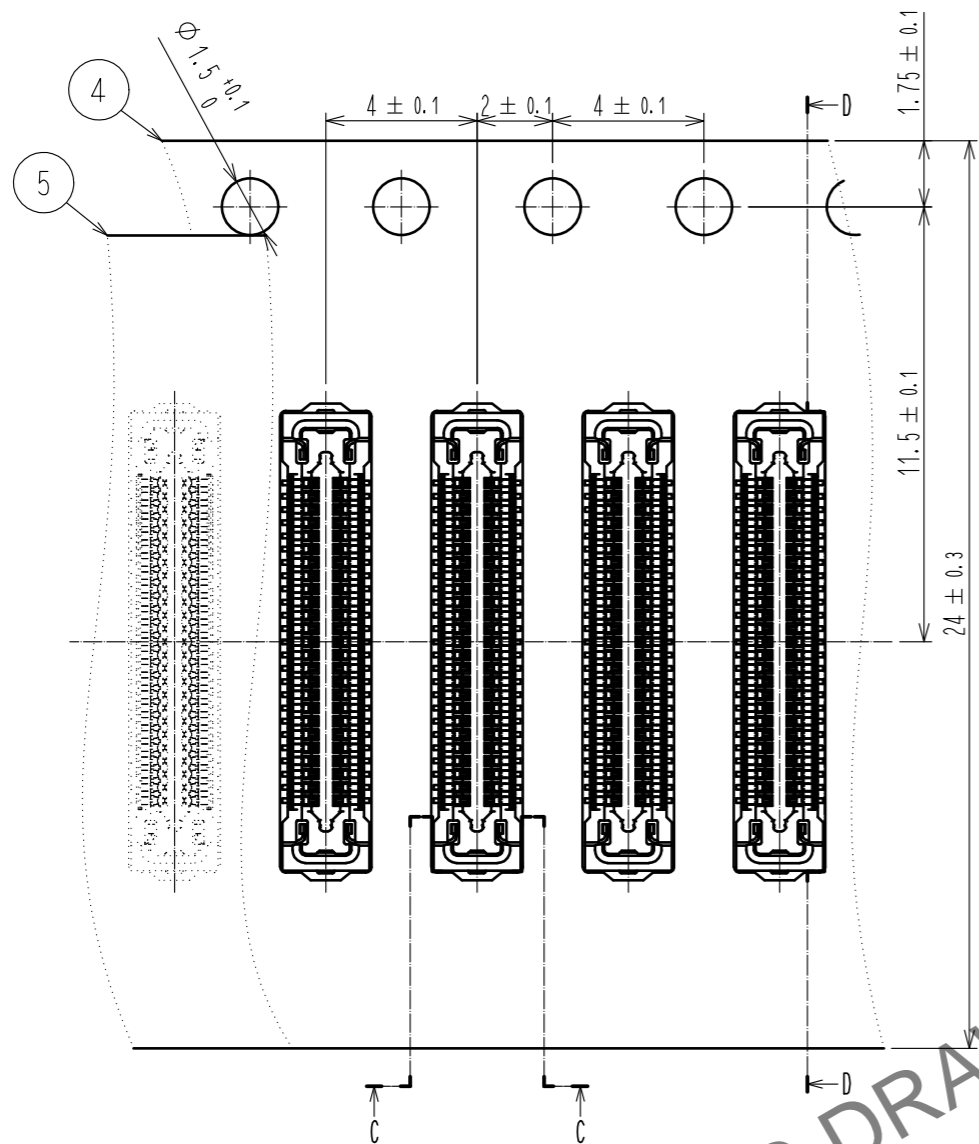
5) THIS TEMPERATURE PROFILE IS PER THE CONDITIONS SHOWN ABOVE. ADDITIONAL FACTORS, SUCH AS SOLDER PASTE TYPE, PCB SIZE AND OTHER MOUNTED COMPONENTS COULD AFFECT THE PROFILE. THEREFORE, A THOROUGH EVALUATION OF MOUNTING COONDITION IS REQUIRED PRIOR TO PRODUCTION. TEPEPERATURE IS MEASURED AT CONTACT LEAD.

6. PLEASE CONTACT US IN CASE YOU WILL MAKE DIFFERENT SETTINGS FROM OUR RECOMMENDATION.

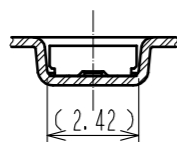
4	PS	CLEAR (EMBOSSED CARRIER TAPE)			
3	COPPER ALLOY	2	7	PS	CLEAR (REINFORCEMENT COLLAR)
2	PHOSPHOR BRONZE	2	6	PS	BLACK (PLASTIC REEL)
1	LCP	UL94 V-0. BLACK	5	POLYESTER	CLEAR (COVER TAPE)
NO.	MATERIAL	FINISH . REMARKS	NO.	MATERIAL	FINISH . REMARKS
UNITS	mm	SCALE	10 : 1	COUNT	1
		DESCRIPTION OF REVISIONS		DESIGNED	NY. YAMASHIRO
		DIS-H-00001212		CHECKED	TS. MIYAZAKI
				DATE	16.01.14
APPROVED : MO. ISHIDA			15.05.26		
CHECED : TS. MIYAZAKI			15.05.26		
DESIGNED : NY. YAMASHIRO			15.05.26		
DRAWN : KR. AJITO			15.05.26		
DRAWING NO.		EDC-363787-51-00			
PART NO.		BM24-50DS/2-0.35V(51)			
CODE NO.		CL677-2014-0-51			

Sep.1.2024 Copyright 2024 HIROSE ELECTRIC CO., LTD. All Rights Reserved.  
In case of consideration for using Automotive equipment / device which demand high reliability, kindly contact our sales window correspondents.

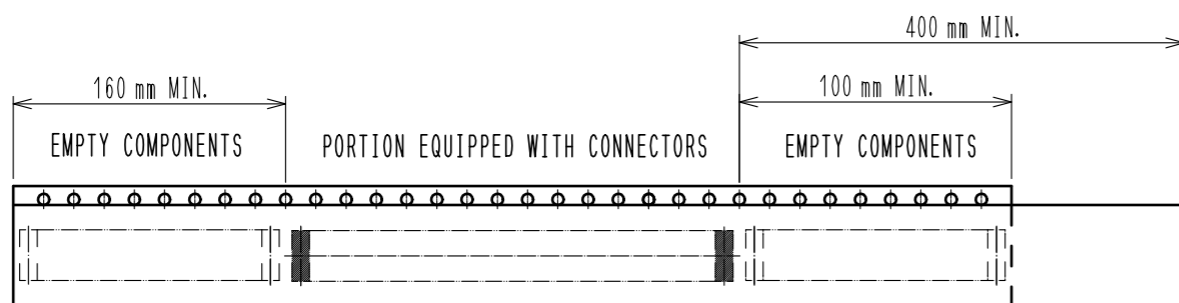
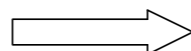
EMBOSSED CARRIER TAPE PACKAGING (FREE)



C-C (5:1)

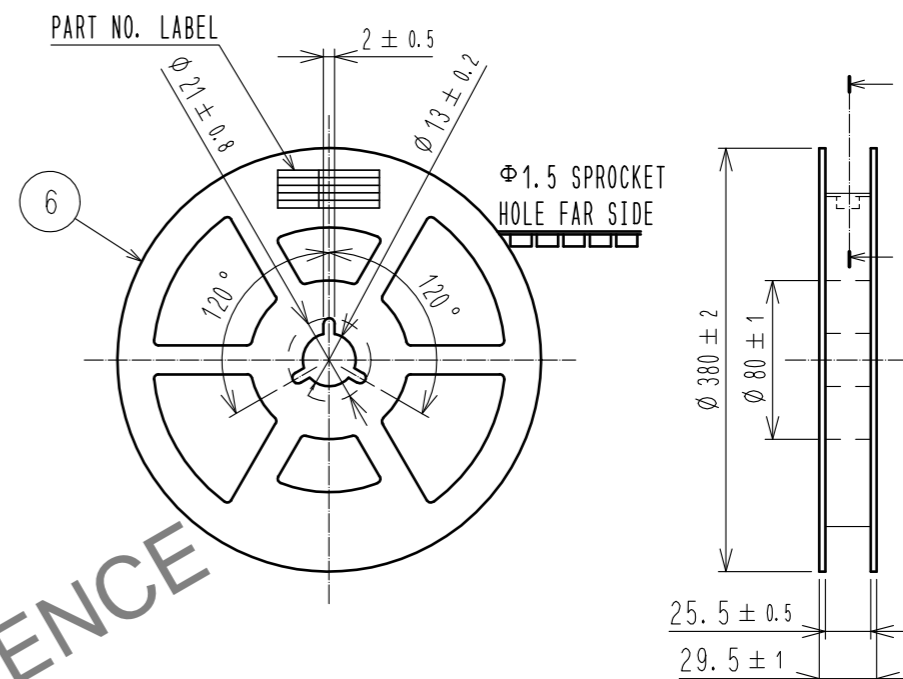


DIRECTION OF UNREELING

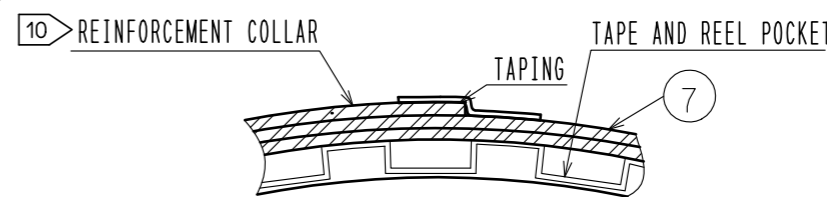


9 TAPING (FREE)

STYLE AND DIMENTION OF REEL (FREE)



E-E (FREE)



DETAIL OF PART NO. LABEL

製造年月日	** ** *	DATA OF MANUFACTURED
製品コード	CL0677-2014-0(51)	CODE NO.
製品名	BM24-50DS/2-0.35V(51)	PART NO.
数量	10,000	QUANTITY
納入者	ヒロセ電機(株)	SUPPLIER

7 . PER REEL 10,000 CONNECTORS.

8 . THE DIMENSIONS IN PARENTHESES ARE FOR REFERENCE.

9 REFER TO JIS C 0806, IEC 60286-3(PACKAGING OF COMPONENTS FOR AUTOMATIC HANDLING)

10 AFTER PACKAGING. ROLL 2 METERS OF THE REINFORCEMENT COLLAR TO OUTER CIRCUMFERENCE OF TAPE AND REEL POCKET. AND TAPE DOWN AT THE END THE COLLAR.

**HRS**

DRAWING NO.	EDC-363787-51-00
PART NO.	BM24-50DS/2-0.35V(51)
CODE NO.	CL677-2014-0-51

2/2