

May.1.2021 Copyright 2021 HIROSE ELECTRIC CO., LTD. All Rights Reserved.
In case of consideration for using Automotive equipment / device which demand high reliability, kindly contact our sales window correspondents.

1 2 3 4 5 6 7 8

A

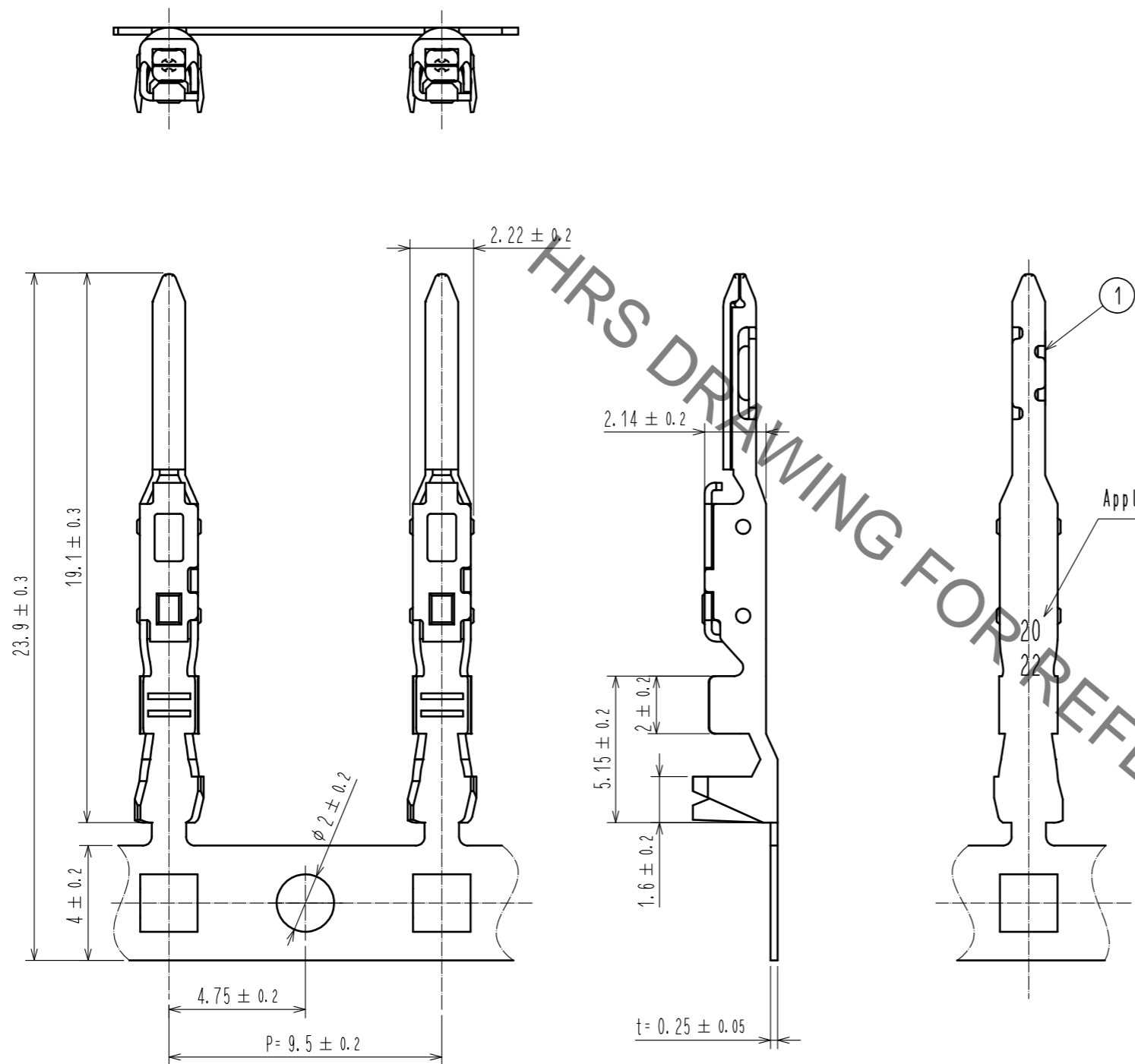
B

C

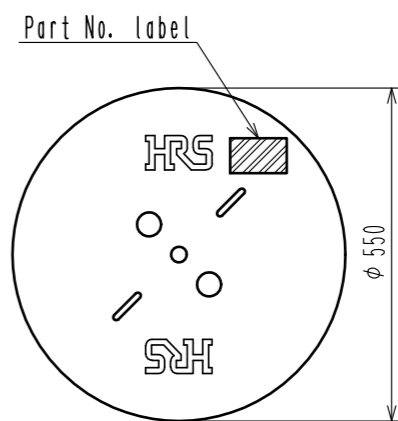
D

E

F



2 Reel style and dimensions



Detail of part No. label

HRS		Inspection
Code No.	CL680-0538-3	
Part No.	DF63-2022PCF	
Quantity	4000	
Specification		
Lot No.		
Section		

Notes

- 1RL : 4000 contacts.
- 2 Style of reel and box are shown in figure.
- Up to 4 reels are packed up in one box.
- Please be sure to check the form of crimping using a cable when you adjust applicator.
- UL(File No. E52653)
C-UL(File No. E52653)
TUV (Certificate No. R50318850) authorization article.



1	Phosphor bronze	Tin plating : 1μm MIN
NO.	MATERIAL	FINISH . REMARKS

UNITS mm		SCALE 5 : 1	COUNT 	DESCRIPTION OF REVISIONS	DESIGNED	CHECKED	DATE
HRS HIROSE ELECTRIC CO., LTD.		APPROVED : KI. AKIYAMA 15.10.30					DRAWING NO. EDC-362151-00-00
		CHECKED : TS. FUKUSHIMA 15.10.30					PART NO. DF63-2022PCF
		DESIGNED : HT. SATO 15.10.30					CODE NO. CL680-0538-3-00
		DRAWN : HT. SATO 15.10.30					1/1

A

B

C

D

E

F