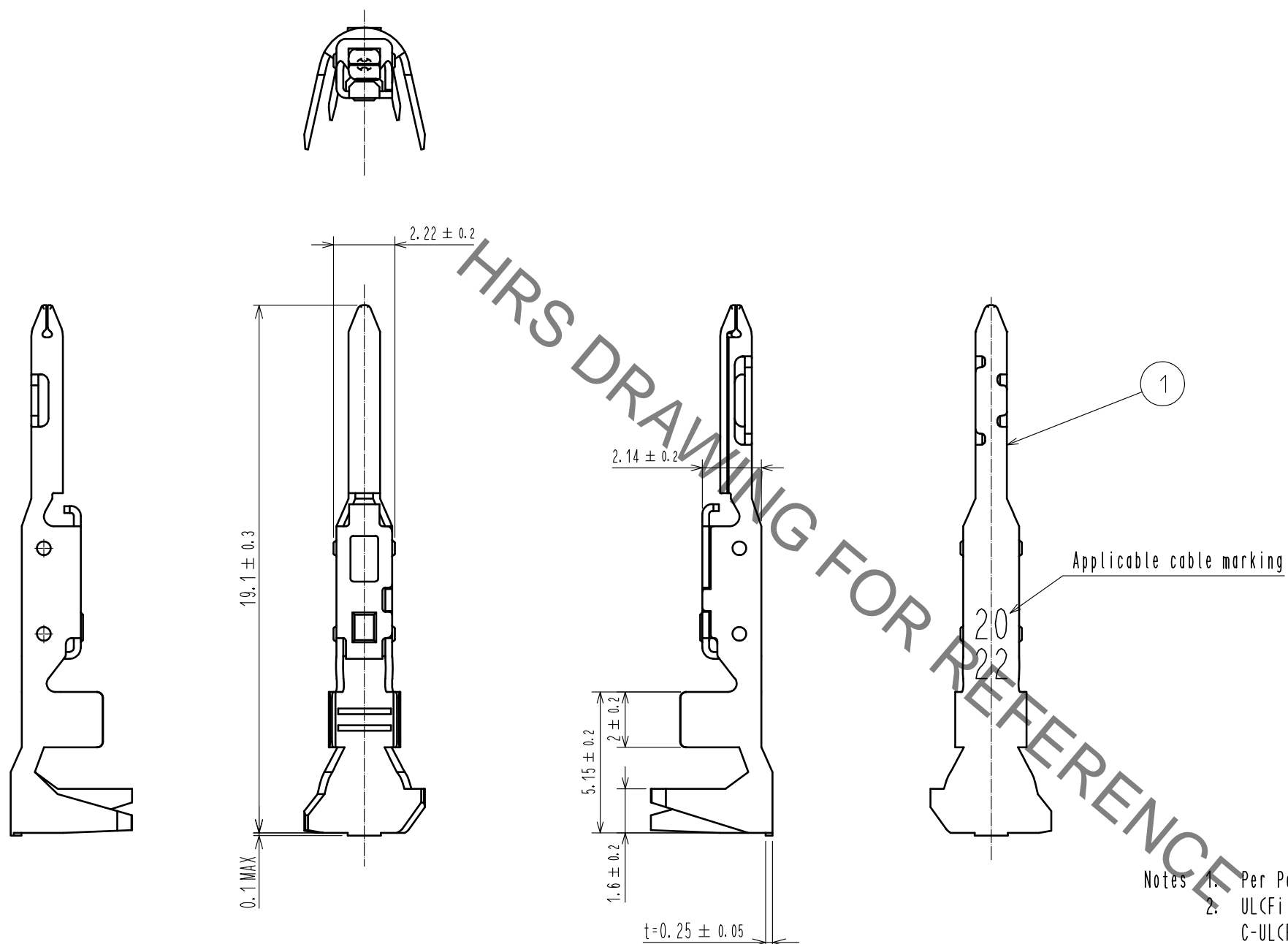


May.1.2021 Copyright 2021 HIROSE ELECTRIC CO., LTD. All Rights Reserved.  
In case of consideration for using Automotive equipment / device which demand high reliability, kindly contact our sales window correspondents.



- Notes
1. Per Pack : 100 Pieces.
  2. UL(File No. E52653)  
C-UL(File No. E52653)  
TUV (Certificate No. R50318850) authorization article.



NO.		MATERIAL		FINISH . REMARKS		NO.		MATERIAL		FINISH . REMARKS					
UNITS mm				SCALE 5 : 1				DESCRIPTION OF REVISIONS		DESIGNED		CHECKED		DATE	
<b>HRS</b>		HIROSE ELECTRIC CO., LTD.		APPROVED : HS. OKAWA		17. 04. 11		DRAWING NO.		EDC-362152-00-00		PART NO.		DF63-2022PC	
				CHECKED : TS. FUKUSHIMA		17. 04. 11		CODE NO.		CL680-0539-6-00				1/1	
				DESIGNED : YK. YAMAGUCHI		17. 04. 11									
				DRAWN : YK. YAMAGUCHI		17. 04. 11									