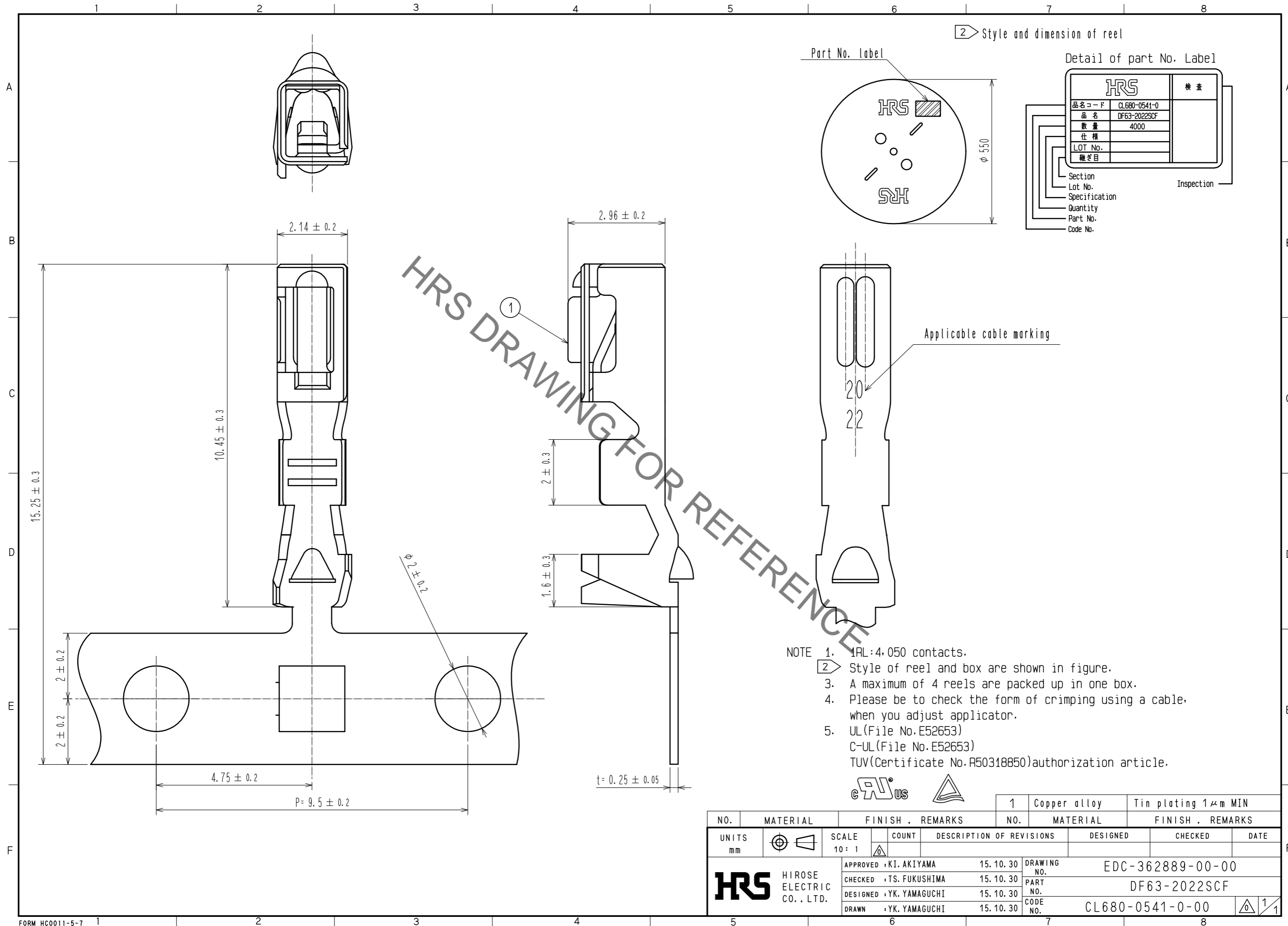


Jun.1.2021 Copyright 2021 HIROSE ELECTRIC CO., LTD. All Rights Reserved.
In case of consideration for using Automotive equipment / device which demand high reliability, kindly contact our sales window correspondents.



NO.	MATERIAL	FINISH . REMARKS	NO.	MATERIAL	FINISH . REMARKS
1	Copper alloy	Tin plating 1μm MIN			

UNITS	SCALE	COUNT	DESCRIPTION OF REVISIONS	DESIGNED	CHECKED	DATE
mm	10:1	△				

HRS HIROSE ELECTRIC CO., LTD.	APPROVED : KI. AKIYAMA	15.10.30	DRAWING NO.	EDC-362889-00-00
	CHECKED : TS. FUKUSHIMA	15.10.30	PART NO.	DF63-2022SCF
	DESIGNED : YK. YAMAGUCHI	15.10.30	CODE NO.	CL680-0541-0-00
	DRAWN : YK. YAMAGUCHI	15.10.30		