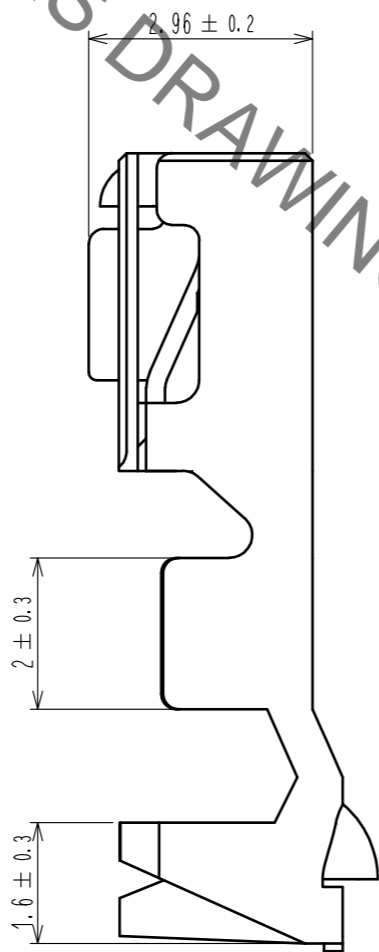
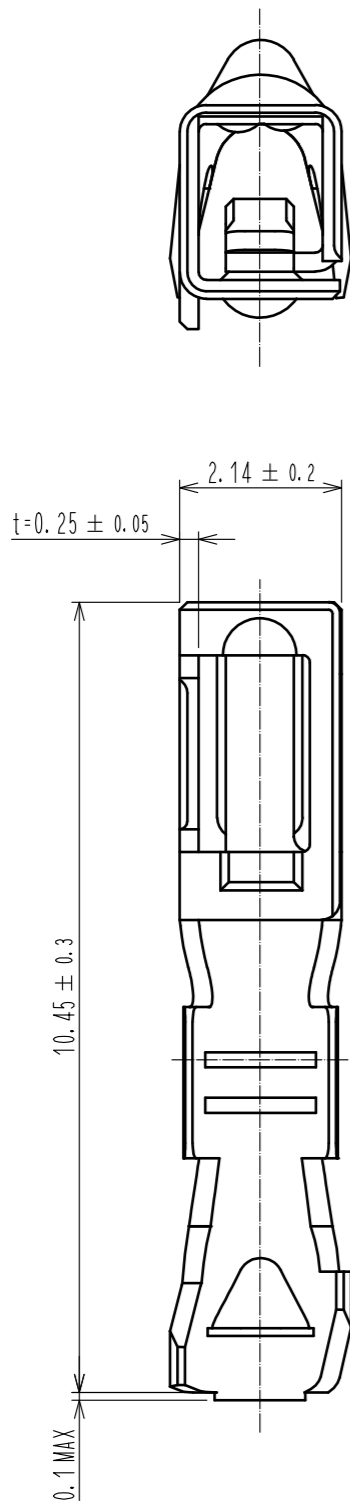
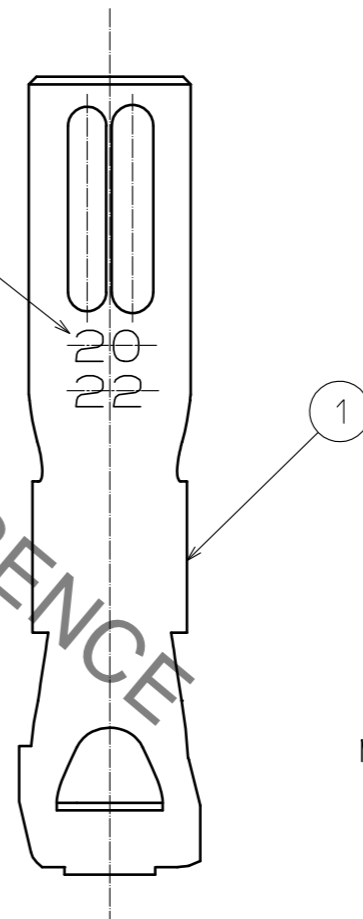


Jun.1.2021 Copyright 2021 HIROSE ELECTRIC CO., LTD. All Rights Reserved.
In case of consideration for using Automotive equipment / device which demand high reliability, kindly contact our sales window correspondents.



Applicable cable marking



HRS DRAWING FOR REFERENCE

Note 1. per pack:100 pieces.
2. UL<File No. E52653>
C-UL<File No. E52653>
TUV<Certificate No. R50318850>authorization article.



NO.	MATERIAL	FINISH . REMARKS	NO.	MATERIAL	FINISH . REMARKS
			1	Copper alloy	Tin plating 1μm MIN
UNITS mm		SCALE 10:1	DESCRIPTION OF REVISIONS		DESIGNED
			COUNT	DATE	CHECKED
HRS	HIROSE ELECTRIC CO., LTD.	APPROVED : HS. OKAWA	17.04.13	DRAWING NO.	EDC-365078-00-00
		CHECKED : TS. FUKUSHIMA	17.04.13	PART NO.	DF63-2022SC
		DESIGNED : YK. YAMAGUCHI	17.04.13	CODE NO.	CL680-0549-0-00
		DRAWN : MI. SAKIMURA	17.04.13		1/1